

61009

- Includes One 8" Downrod
- Includes Remote Control
- Damp Location
- Title 20
- Color Tunable
- Wifi Enabled



Job Name : _____
 Job Type : _____
 Quantity : _____
 Comments : _____



ACCESSORIES (Sold Separately)



FCT6000WT Wall Control

PRODUCT DESCRIPTION

The Ambience collection will enhance your home with a perfect mix of form and function. A Wi-Fi enabled control is housed in the canopy that can be either operated by the remote provided or Smart Home apps without the use of a bridge.

- Always consult a qualified electrician before installing any lighting product
- Installation Requirements:
 Ceiling fan attaches to electrical junction box securely anchored and capable of withstanding at least 35 lbs

MEASUREMENTS

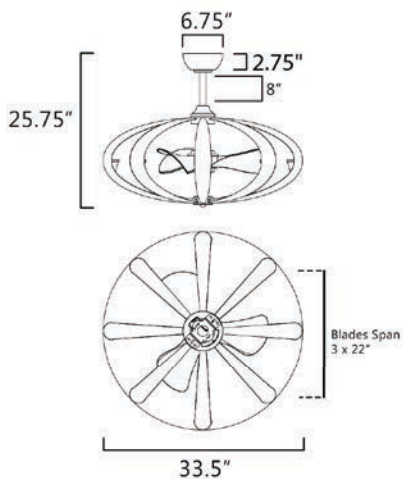
DIMENSION	: 33.5" D x 25.75" H
MAX OAH	: 25.75" OAH
CANOPY	: 6.75" W x 2.75" H x 6.75" L
HANGING WEIGHT	: 31.31 lb
WIRE LENGTH	: 8"

LAMPING

INPUT VOLTAGE	: 120V
LUMENS	: 4,800 Rated (3,600 Del.)
BULB	: 48W LED PCB Integrated , 48W Total
DIMMABLE	: By Control Provided
CRI	: 80 CRI
COLOR_TEMP	: 3000K

ENERGY INFORMATION AT HIGH SPEED

AIRFLOW	: 2440 CFM
ELECTRICITY USE	: 20W
AIRFLOW EFFICIENCY	: 122 CFM / W



FINISHES OPTION



MATERIAL

Steel+ABS

RATINGS

cETLus
 Damp Location

INCLUDES

- Wall Mountable Remote Control
- 1 x 8" Downrod

DOWNROD OPTIONS

- 18" (FRD0118BZ)
- 24" (FRD0124BZ)
- 30" (FRD0130BZ)
- 36" (FRD0136BZ)



ADDITIONAL

RATED LIFE: 35,000 Hours
 OPERATING TEMPERATURE: -20° C (-4°F), 40°C (104°F)
 LIGHTING DIRECTION: Up