

61006

- Includes One 8" Downrod
- Includes Remote Control
- Title 20
- Color Tunable
- Wifi Enabled



Job Name : \_\_\_\_\_  
 Job Type : \_\_\_\_\_  
 Quantity : \_\_\_\_\_  
 Comments : \_\_\_\_\_



ACCESSORIES (Sold Separately)



FCT6000WT Wall Control

**PRODUCT DESCRIPTION**

The Solstice Fandelight houses a Wifi-enabled fan within a cage of artfully bent Satin Nickel channels to create a classic form in light. The Smart control functions operate both the fan and the light itself. Adjust the color temperature and light intensity by use of the remote provided or Smart Home apps without the use of a gateway.

- Always consult a qualified electrician before installing any lighting product
- Installation Requirements:  
 Ceiling fan attaches to electrical junction box securely anchored and capable of withstanding at least 35 lbs

**MEASUREMENTS**

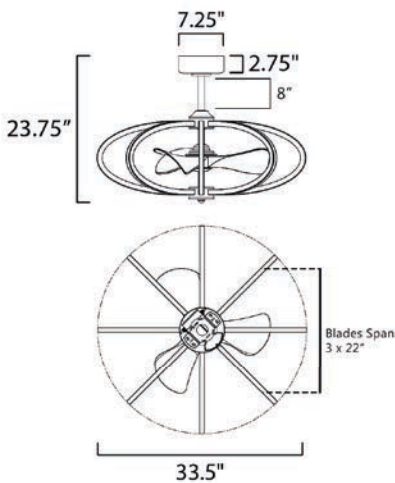
DIMENSION : 33.5" D x 23.75" H  
 MAX OAH : 23.5" OAH  
 CANOPY : 7.25" W x 2.75" H x 7.25" L  
 HANGING WEIGHT : 19.4 lb

**LAMPING**

INPUT VOLTAGE : 120V  
 LUMENS : 6,640 Rated (4,320 Del.)  
 BULB : 60W LED PCB Intergrated , 60W Total  
 DIMMABLE : By Control Provided  
 CRI : 80 CRI  
 COLOR\_TEMP : 2700-4000K

**ENERGY INFORMATION AT HIGH SPEED**

AIRFLOW : 2440 CFM  
 ELECTRICITY USE : 20W  
 AIRFLOW EFFICIENCY : 122 CFM / W



**FINISHES OPTION**

Satin Nickel

**MATERIAL**

Aluminum+Steel+ABS

**RATINGS**

cETLus  
 Damp Location

**INCLUDES**

- Wall Mountable Remote Control
- 1 x 8" Downrod

**DOWNROD OPTIONS**

- 18" (FRD0118SN)
- 24" (FRD0124SN)
- 30" (FRD0130SN)
- 36" (FRD0136SN)



**ADDITIONAL**

RATED LIFE: 35,000 Hours  
 OPERATING TEMPERATURE: -20°C (-4°F), 40°C (104°F)  
 LIGHTING DIRECTION: Up