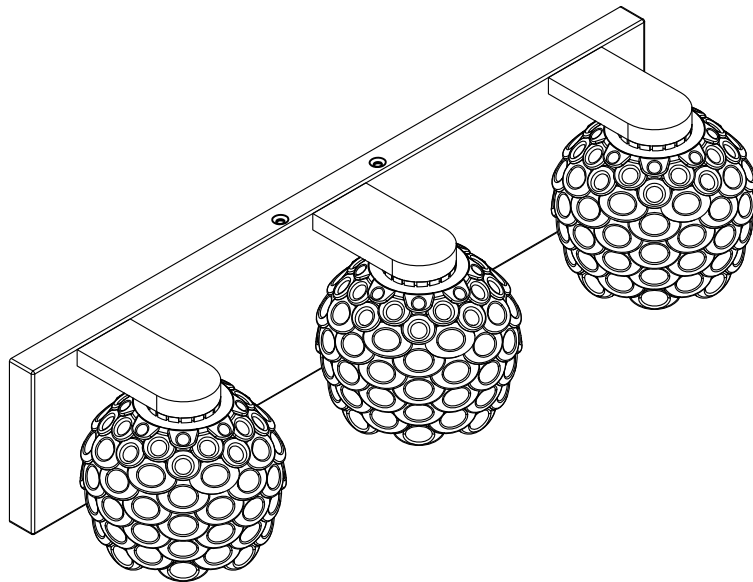




PRODUCT NAME: Fringe
ITEM NUMBER: 9063CWPC

Please consult your electrician for hanging fixture and wiring.



This fixture is designed to dim with an Electronic Low Voltage dimmer. Dimming levels will vary by dimmer.

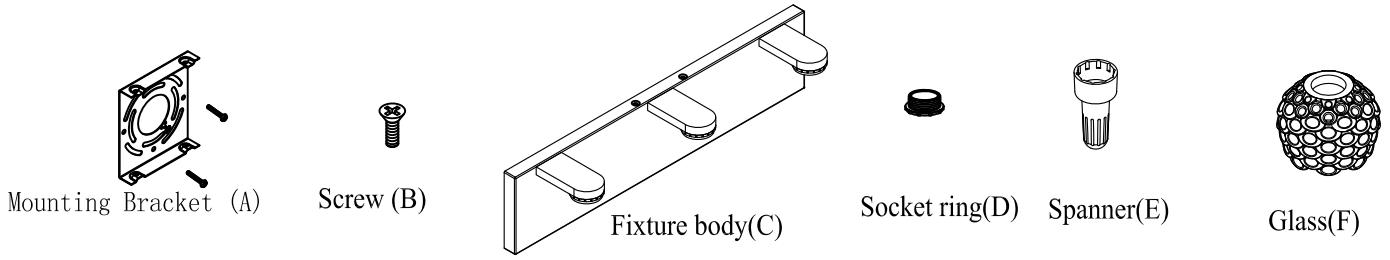
Below is a List of Recommended Dimmers:

- Lutron TGCL-153P
- Lutron CTCL-153P
- Lutron SCL-153P
- Lutron DVCL-153P
- Leviton 6683

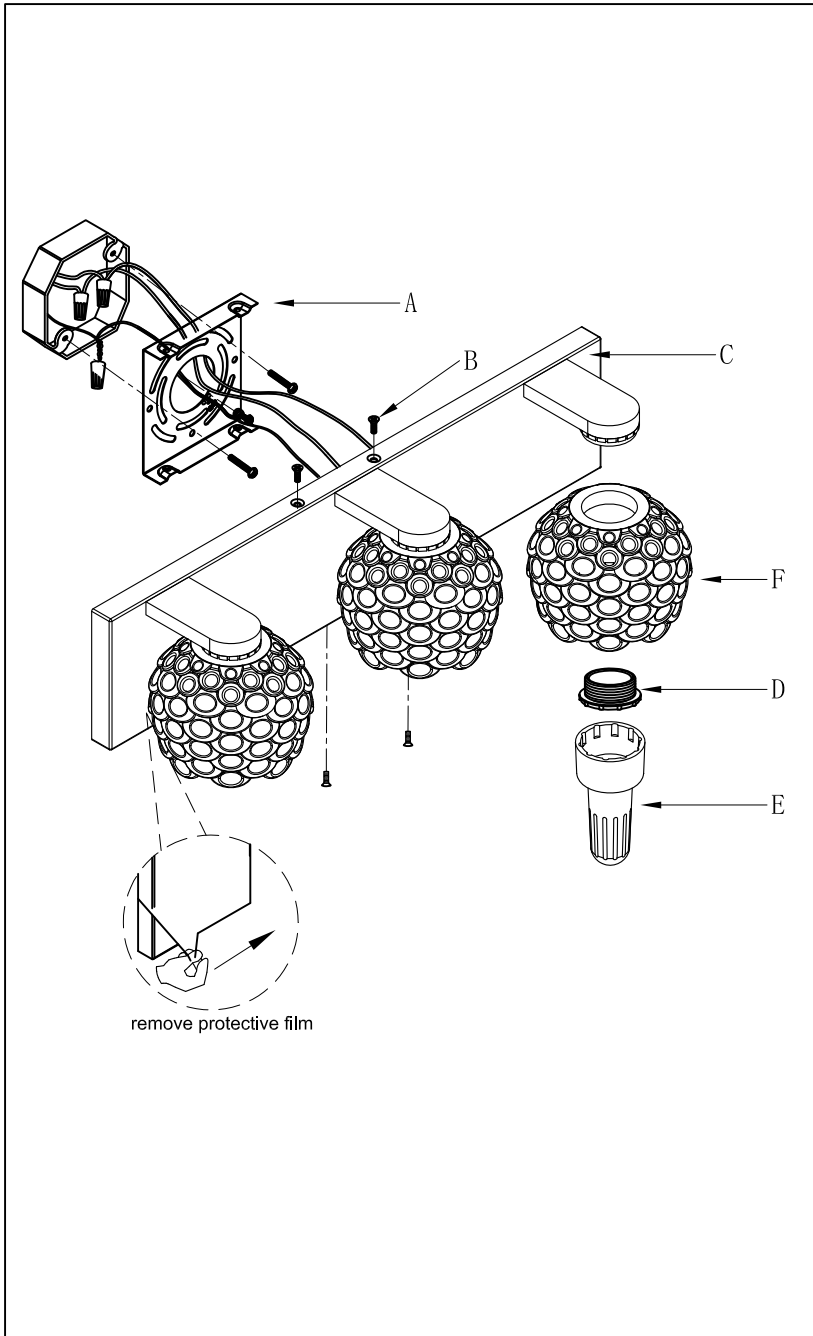
Due to inrush current wattage should not exceed 150 watts of product for a 600 watt dimmer.

Bulbs (Included): 3 x 5W LED COB

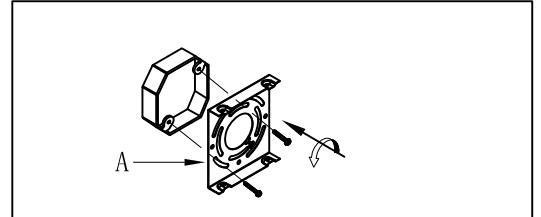
IMPORTANT: Turn off the power at the main fuse or circuit breaker box before starting installation



Locate all hardware & components before discarding packaging

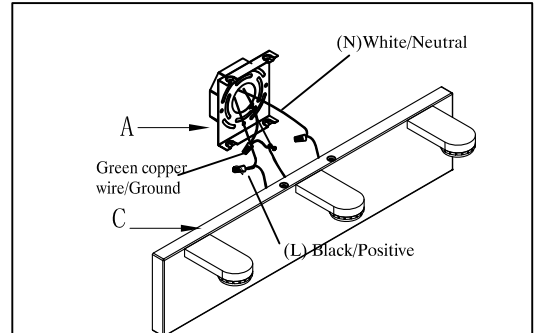


1.)



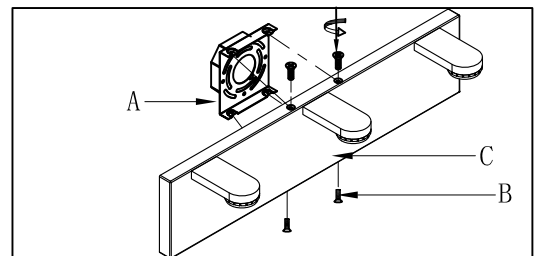
Step.1: Fasten the mounting bracket(A) onto the outlet box using two outlet box screws.

2.)



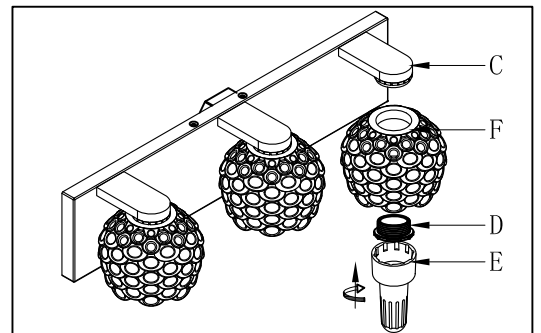
Step.2: Wire fixture to wires in outlet box. Green copper wire is for ground. And carefully position all wires inside the outlet box.

3.)



Step.3: Place the fixture body(C) against mounting bracket, Align the two holes of the mounting bracket and fixture body, then tighten the screws(B).

4.)



Step.4: Position Glass(F) onto the socket of fixture body(C), then secure with socket ring(D) with Glass (F) onto Fixture body(C) by using spanner(E).

Cleaning & Care:
Clean with soft cloth and a mild detergent.
Do not use abrasive cleaner.