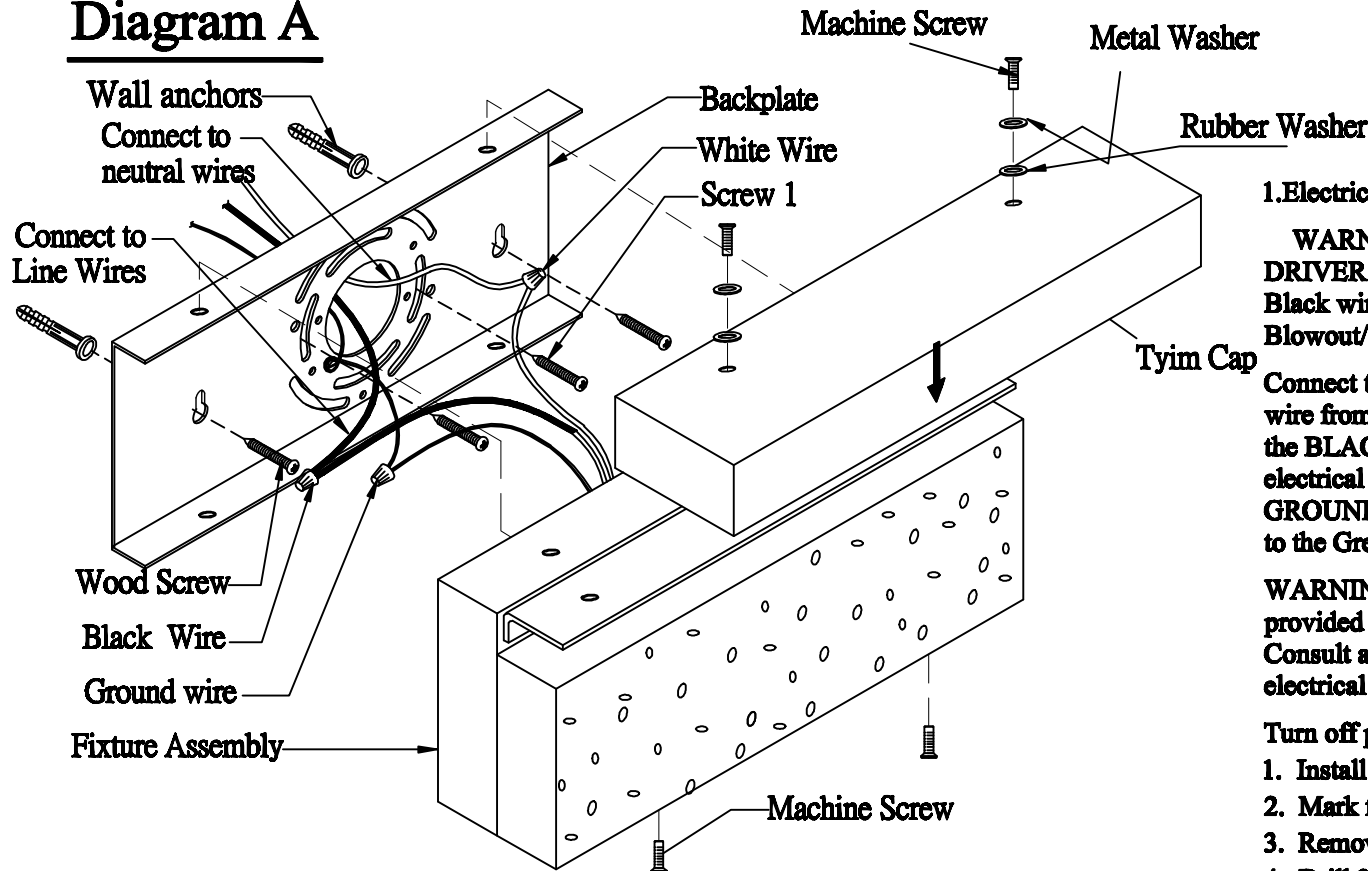


Diagram A



1. Electrical Wiring:

WARNING: The Fixture wires need to be connected to **DRIVER** found in the backplate. Do not connect the Red and Black wire from fixture directly to power source or a Blowout/Shortcircuit might occur.

Connect the **WHITE** wire of the Driver to the White/Neutral wire from electrical source using the wire nut provided. Connect the **BLACK** wire of the Driver to the Black/Live wire from electrical source using the wire nut provided. Connect the **GROUND** wire from fixture and Ground of the electrical source to the Green Ground screws on the backplate.

WARNING: Please refer to the Electrical wiring instructions provided for safety and proper procedure of electrical wiring. Consult a qualify electrician if you are not familiar with electrical wiring.

Turn off power at breaker for outlet fixtures is being installed to.

1. Install backplate to outlet box with (screw 1)
2. Mark for holes for wall anchors
3. Remove backplate from outlet box
4. Drill 3/16" holes at marked locations
5. Insert wall anchors into drilled holes
6. Re-install backplate to outlet box with (screw 1)
7. Insert wood screws into wall anchors and tighten to secure
8. Wire fixture assembly per diagram B
9. Install fixture assembly to backplate and secure using machine screws on top and bottom.
10. Install Trim Cap to top of fixture assembly with metal washer, rubber washer and machine screws.

Diagram B

