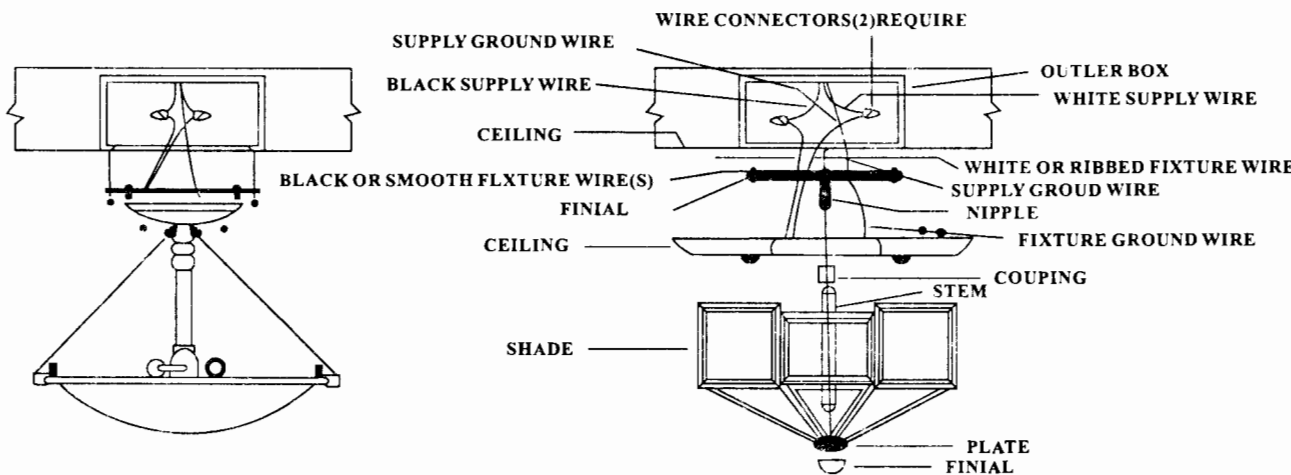
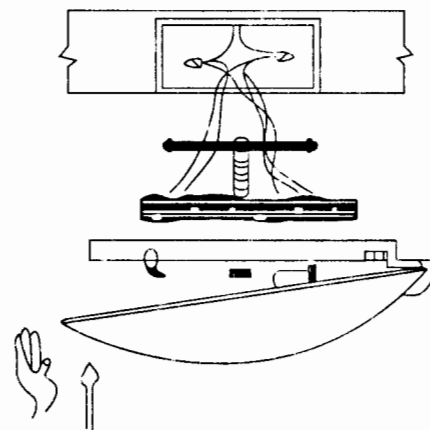
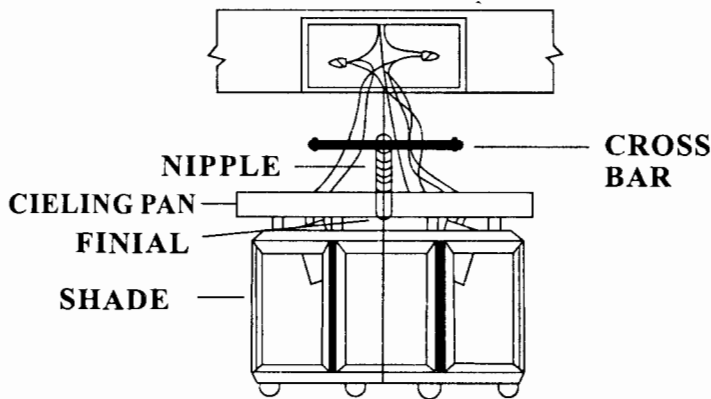
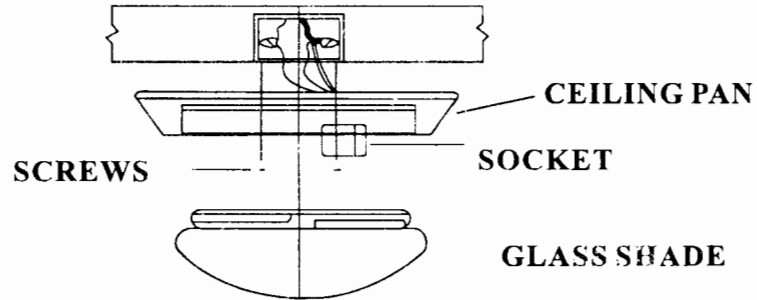
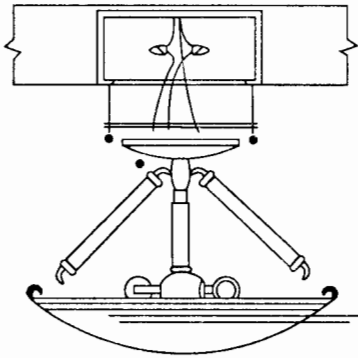




CEILING FLUSH INSTALLATION INSTRUCTIONS





CEILING FLUSH INSTALLATION INSTRUCTIONS

TOOLS AND MATERIALS REQUIRED

- Adjustable wrench
- Wire cutters
- Flat blade screwdriver
- Step ladder
- Wiring supplies as required by electrical codes.

CAUTION: before assembling your lighting fixture, refer to the section titled ELECTRICAL CONNECTIONS. If you feel that you do not have electrical wiring experience, refer to a do it yourself wiring handbook or have your fixture installed by a qualified licensed electrician.

GENERAL

1. To ensure the success of the installation, be sure to read these instructions and review the diagrams thoroughly before beginning
2. All electrical connections must be in accordance with local codes, ordinances, or the National Electrical Code. If you are unfamiliar with methods of installing electrical wiring, secure the services of a qualified licensed electrician
3. These fixtures are intended to be mounted to a 4"x2 1/8" deep metal octagon outlet box. The box must be directly supported by the building structure.
4. Before starting the installation, disconnect the power by turning off the circuit breaker or by removing the fuse at the fuse box. Turning the power off using the light switch is not sufficient to prevent electrical shock.

Note: The important safeguards and instructions appearing in this manual are not meant to cover all possible conditions and situations that may occur. It must be understood that common sense, caution, and care are factors which cannot be built into any product. These factors must be supplied by the person(s) caring for and operating the fixture

UNPACK THE FIXTURE

Check the contents of the box. You should receive
Mounting hardware package fixture assembly
Glass shade or shade assembly

NOTE: FIRST TURN OFF ELECTRICITY

Refer to figures for illustration of typical fixture parts and assemblies

1. If you are replacing an existing fixture, disconnect and remove the old fixture. Expose the wiring in the outlet box
2. Some models require the installation of two mounting screws on the crossbar as shown in the illustration. If not already installed install them on the cross bar as shown. Fasten the cross bar to outlet box using the two screws supplied with the outlet box. On some models, a nipple may need to be installed
3. Attach grounding wire (green or bare copper) from the supply circuit to the mounting bracket with the green grounding attachment screw provided. Some models have a grounding wire attached to the fixture. For models that employ a green or bare copper grounding wire, it will be necessary to connect the green or bare copper grounding wire to the grounding conductor of the supply circuit.
4. Make electrical connections SEE BELOW.

ELECTRICAL CONNECTIONS

To make electrical connections

Fixtures will have a black and white wire or a two wire power supply cord. Split the power supply cord wires into separate leads. Connect the half of the cord that is ribbed or the white wire to the white wire of the supply circuit. Connect the smooth half of the cord (the half with markings or the black wire) to the black wire of the supply circuit. Connect the green or bare copper wire to the CROSSBAR grounding screw and the grounding conductor of the supply circuit. On fixtures that do not use a crossbar connect fixture ground wire to supply ground wire with wire connectors. Use U.L. listed wire connectors

suitable for the size type and number of conductors. No loose strands or loose connections should be present. Secure wire connections with U.L. listed electrical tape.

FINAL ASSEMBLY

1. Spread the electrical splices so that the black wires are on one side of the outlet box and the white wires are on the other side.
2. Raise fixture to outlet box and secure with screws, acorn nuts or finial. On models that have a ceiling pan with keyhole slots, the head of the screw will pass through the larger end of the keyhole slot. The pan must be turned slightly so that the screw head is over the smaller part of the opening of the keyhole slot. Tighten screws once pan is in place.
3. Install light bulbs, (not included) CAUTION: Refer to the relamping label located near the lampholder for the recommended maximum wattage DO NOT EXCEED RECOMMENDED WATTAGE
4. On models with disassembled shade, install shade and secure with screws or finial. Please refer to illustrations. On some models the shade is installed without hardware. On these models, line up vertical slot on shade with raised areas on the ceiling pan. Raise shade into ceiling pan and the turn glass shade in clockwise direction about 1/4 turn until it tightens.
5. Restore electricity and check the operation of your lighting fixture.

