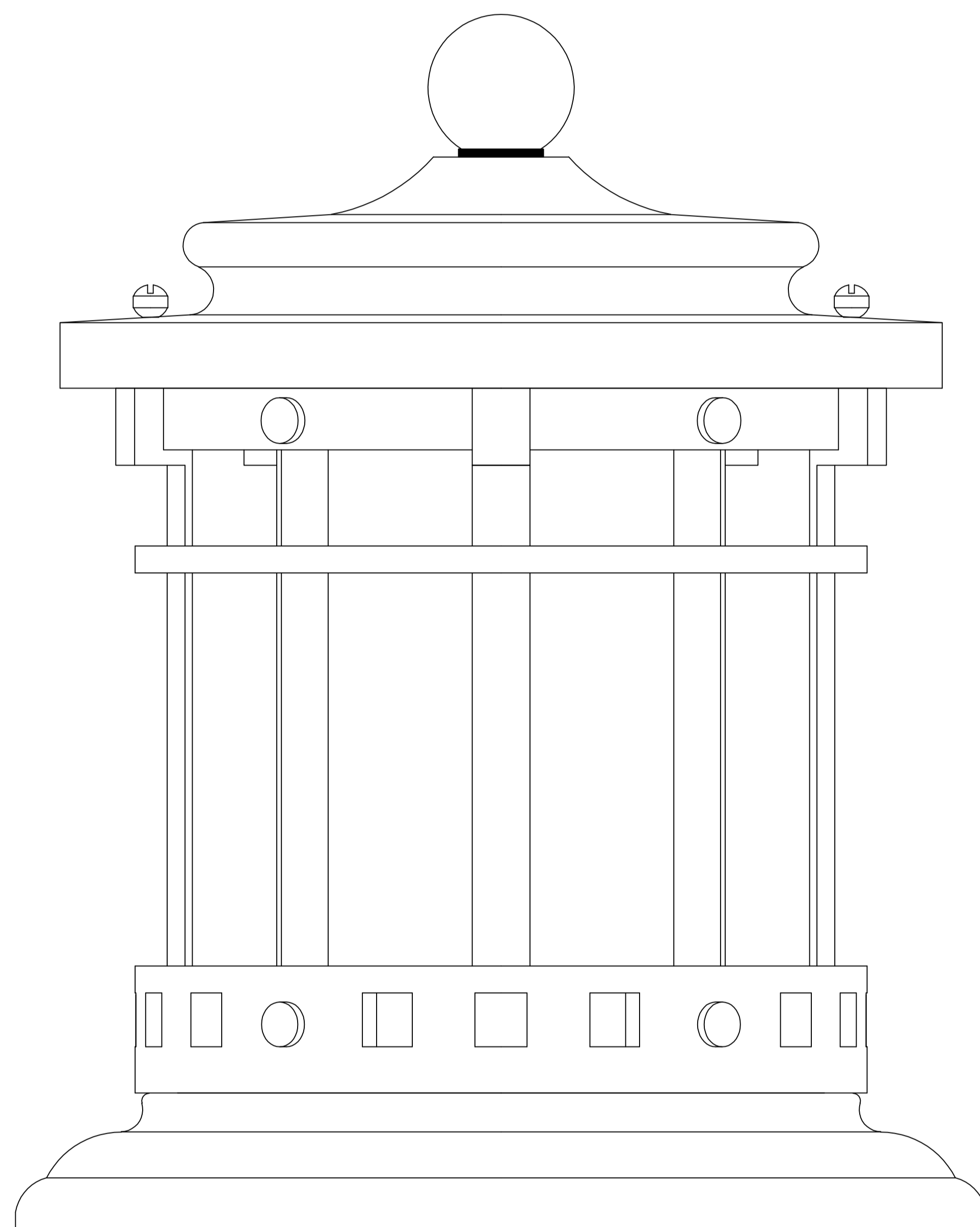




PRODUCT NAME: Santa Barbara
ITEM NUMBER: 65032

Please consult your electrician for hanging fixture and wiring.



To prevent water intrusion, caulk around the post to prevent water intrusion into the splicing area using outdoor silicone sealant.

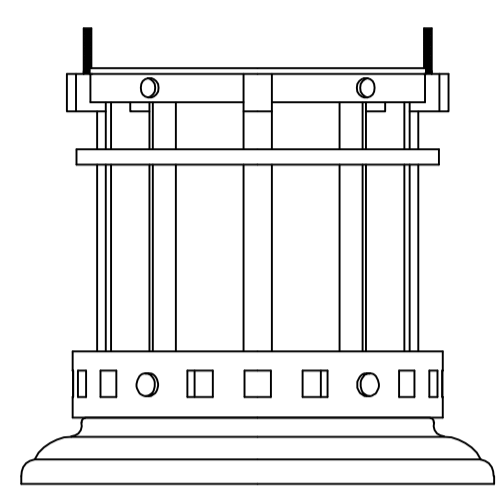
Bulb(included): 1×9W E26 LED

MADE IN CHINA

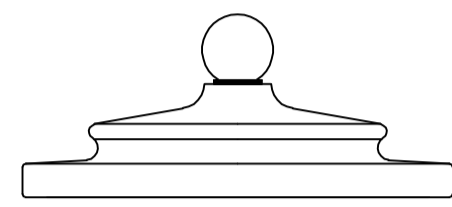


PRODUCT NAME: Santa Barbara
 ITEM NUMBER: 65032

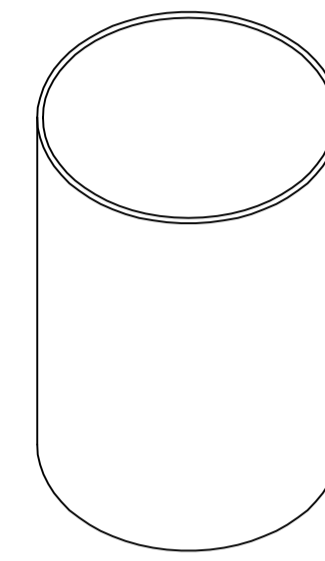
IMPORTANT: Turn off the power at the main fuse or circuit breaker box before starting installation.



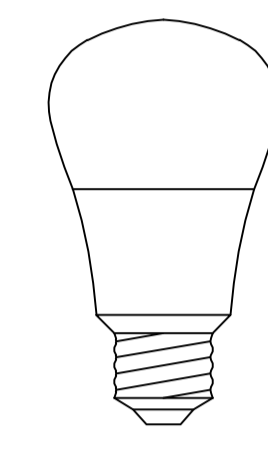
Fixture (A)



Hood (B)



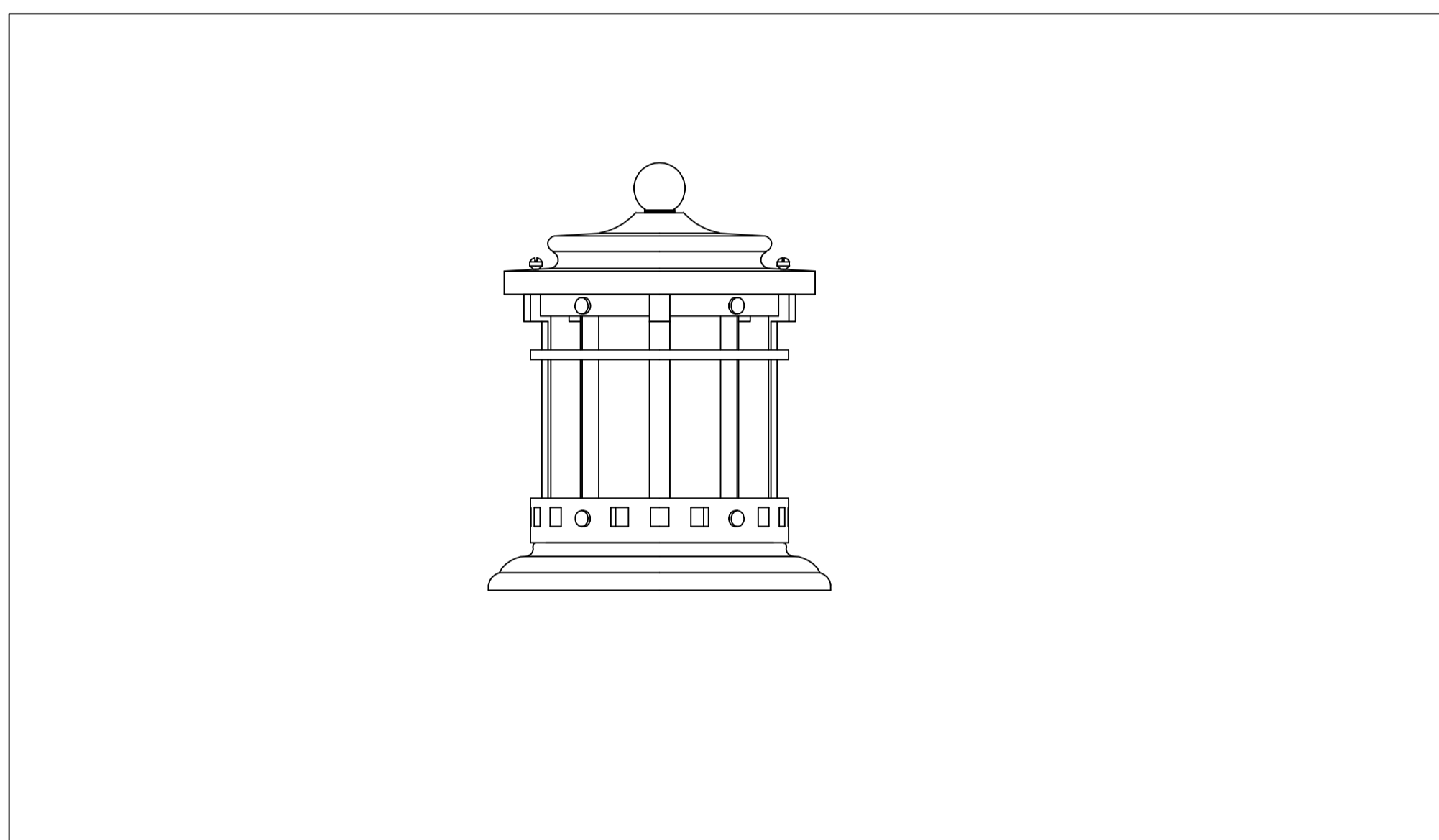
Glass shade (C)



E26 LED Bulb (D)

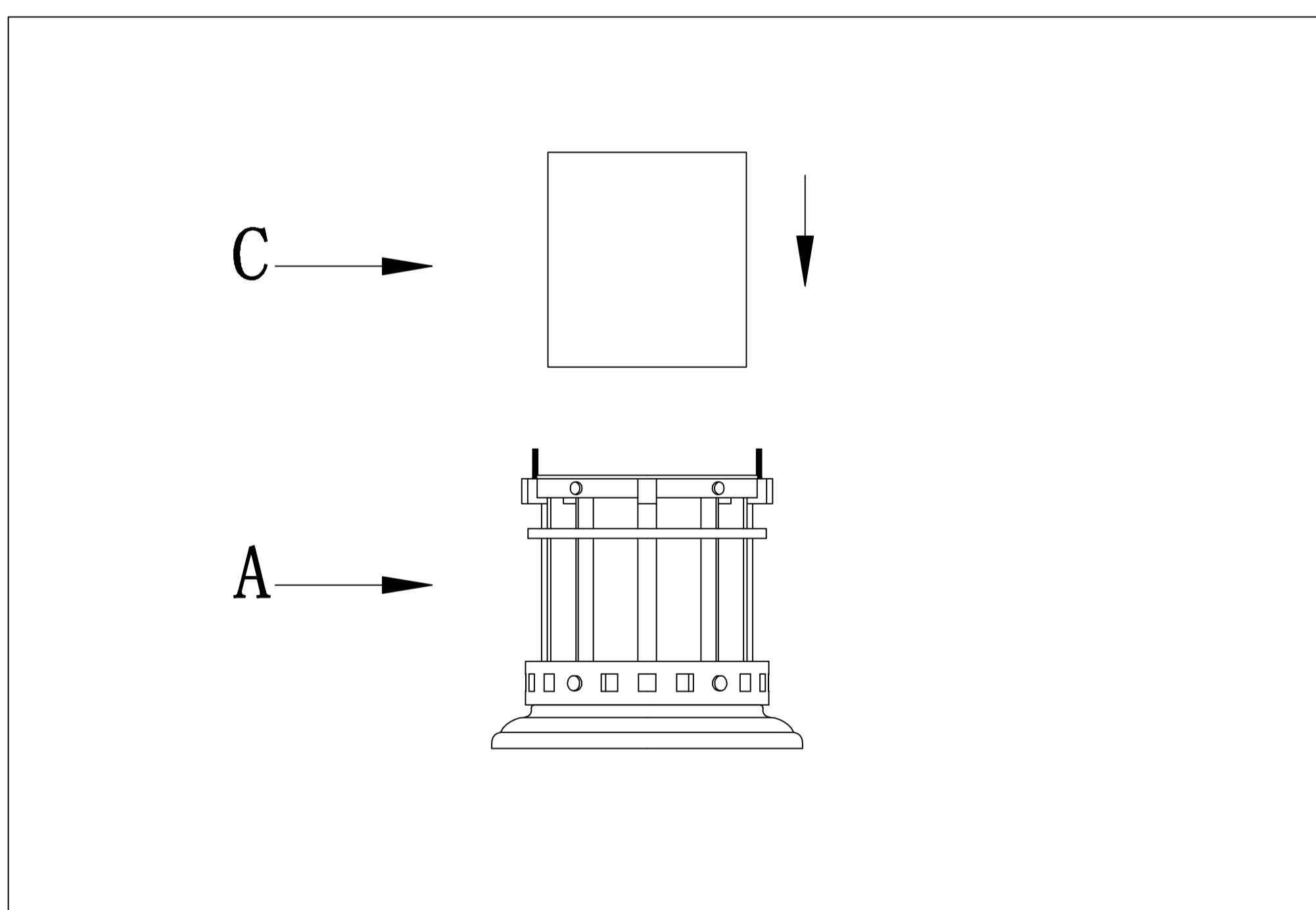
Locate all hardware & components before discarding packaging

1.)



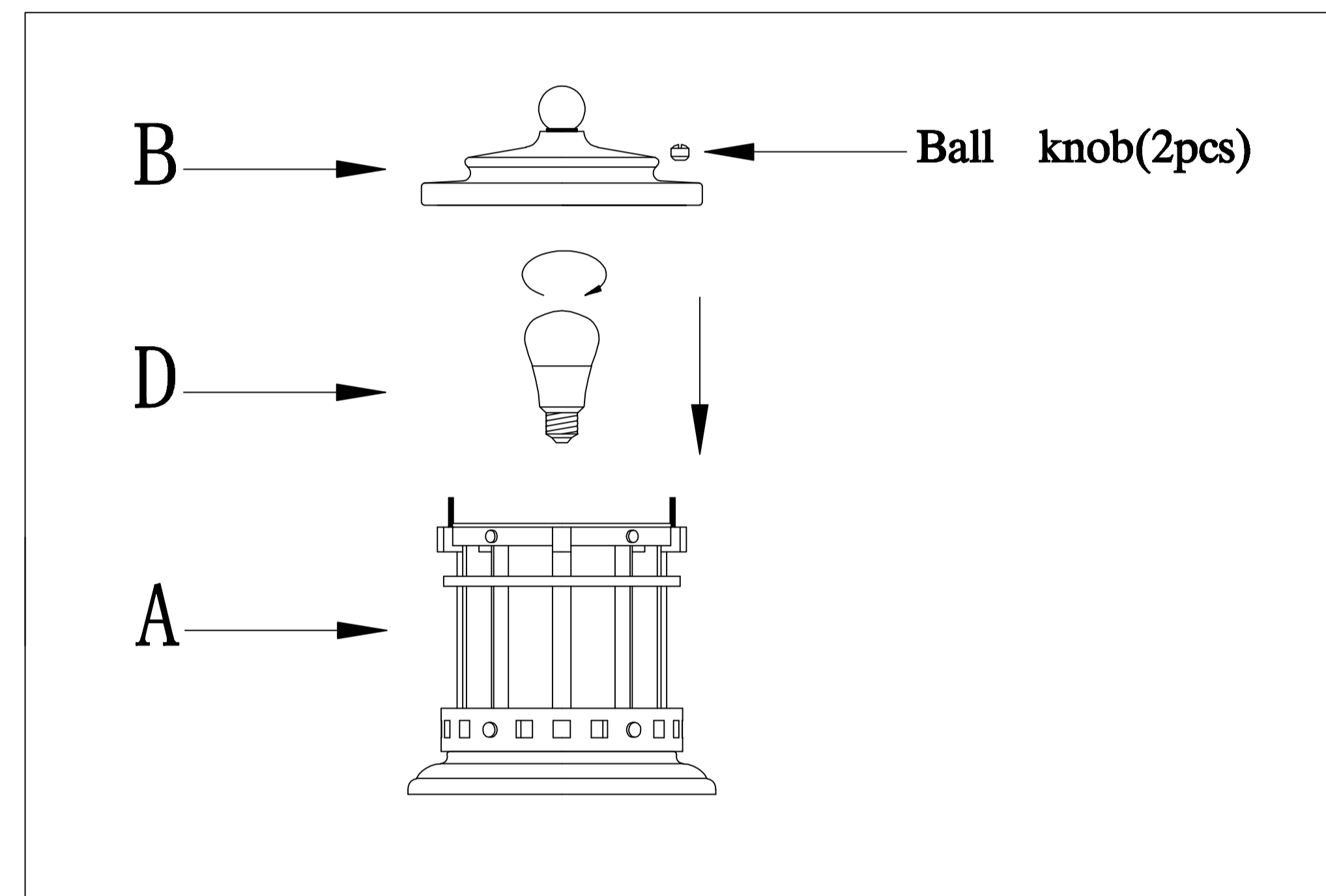
Step.1: Remove hood from the post by unscrewing top finial and two screws within the hood.

2.)



Step.2: Install the glass shade (C) into the fixture.

3.)



Step.3: Install E26 LED bulb (D), Attach the hood (B) to fixture, using ball knobs.

Step.4: Wire fixture to supply circuit in the post mount.

Step.5: Use three expansion bolts to fix the lamp on the wall stud.

Step.6: Caulk around the post using RTV silicone sealant to prevent water intrusion into the splicing area.

Cleaning & Care:

Clean with soft cloth and a mild detergent.
 Do not use abrasive cleaner.

MADE IN CHINA