

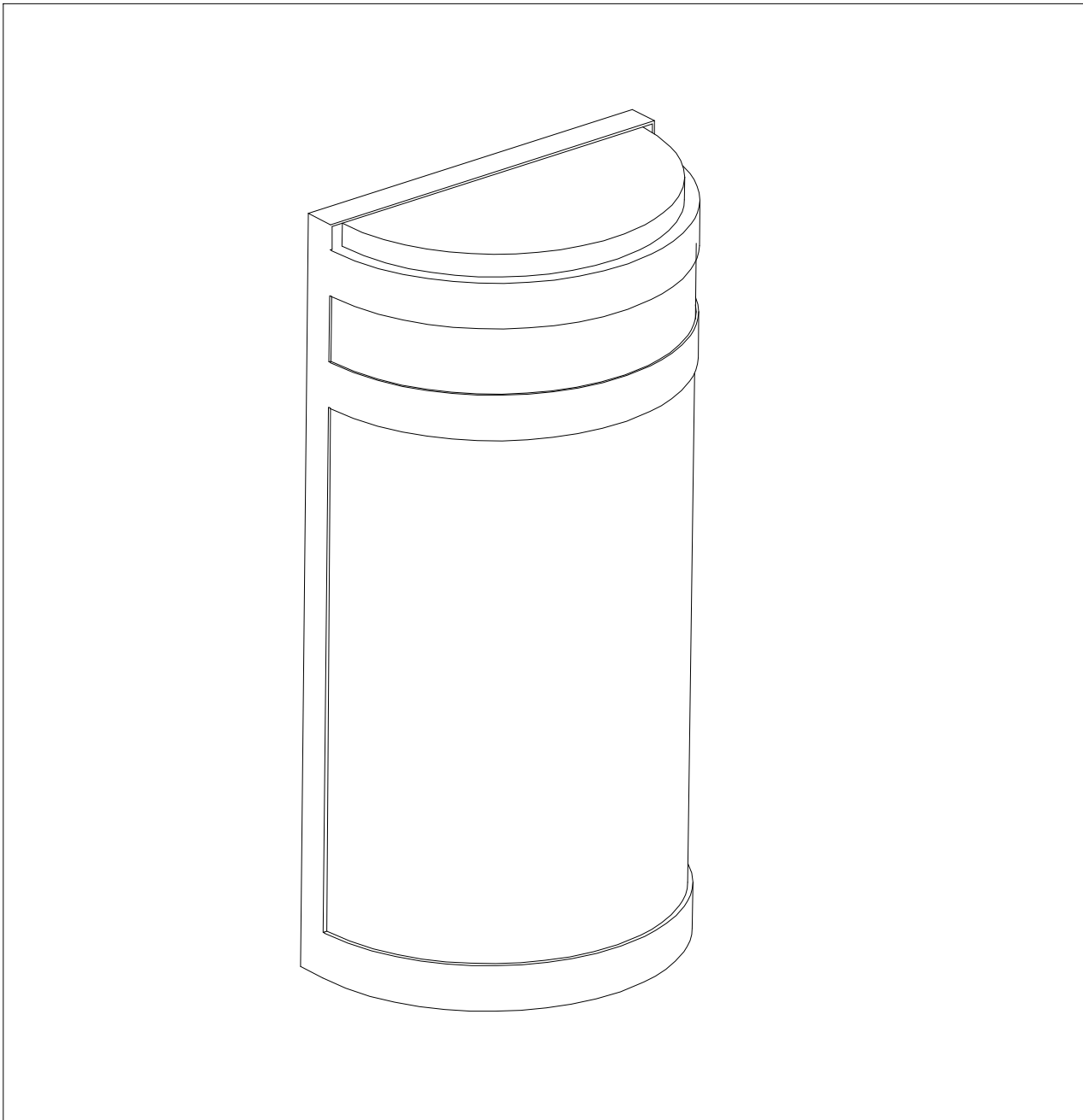


L I G H T I N G

PRODUCT NAME: 1-Light Wall Mount Dark Sky

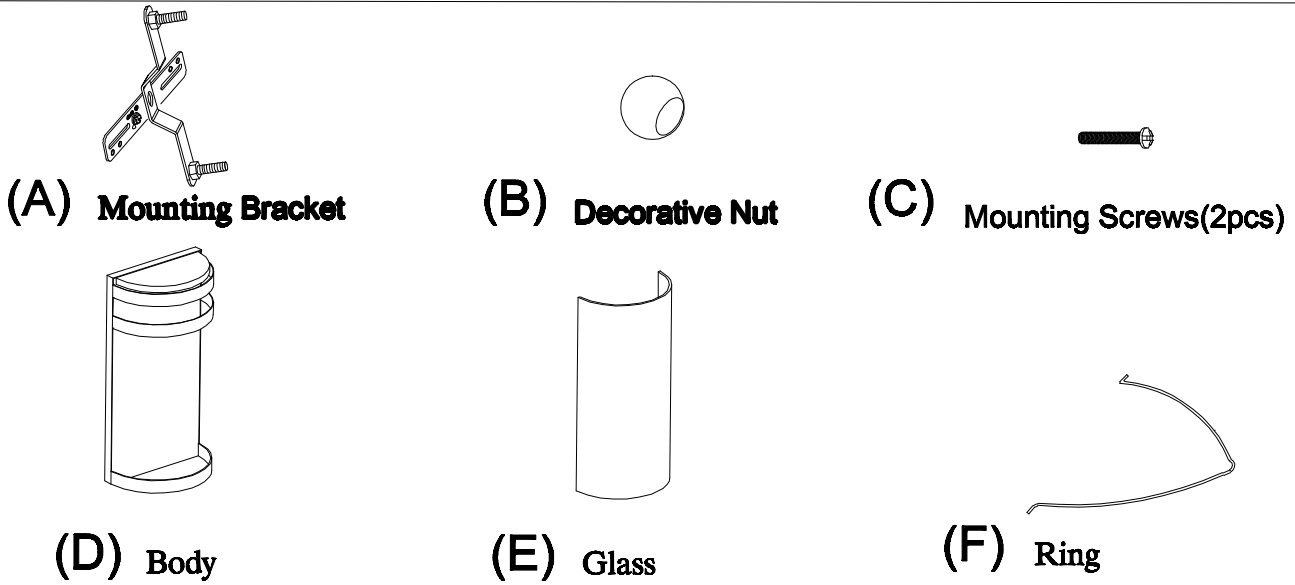
ITEM NUMBER: 65002

Please consult your electrician for hanging fixture and wiring.

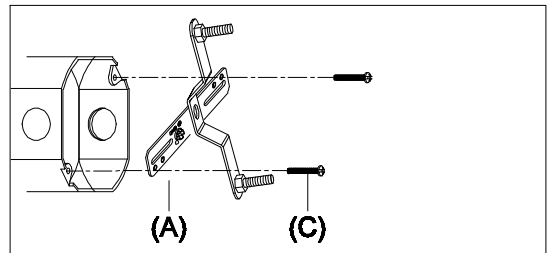
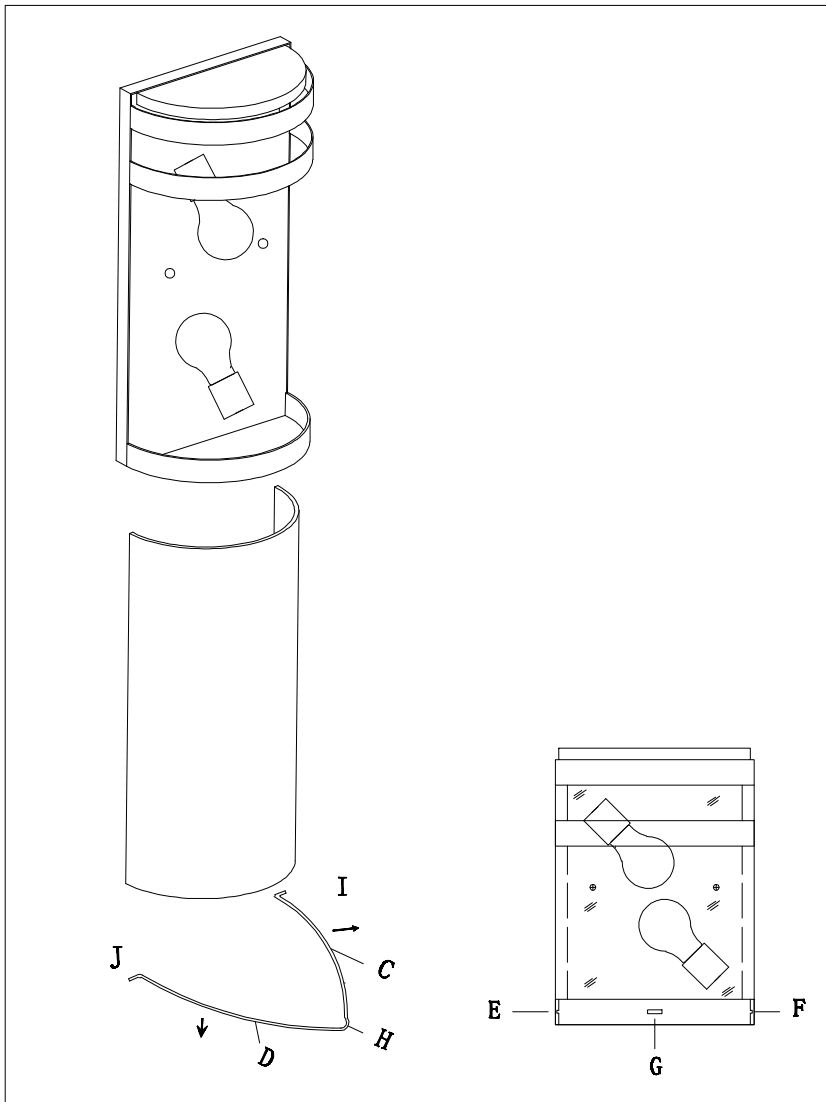


Bulbs (not included):E26 LED 2 X MAX 9W

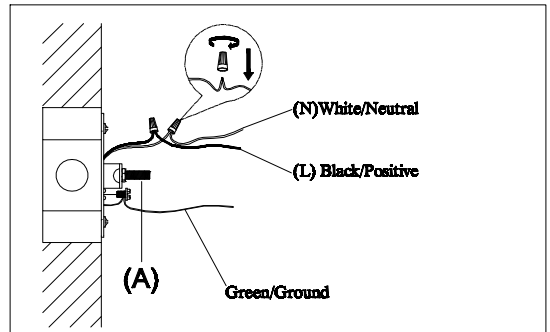
IMPORTANT: Turn off the power at the main fuse or circuit breaker box before starting installation



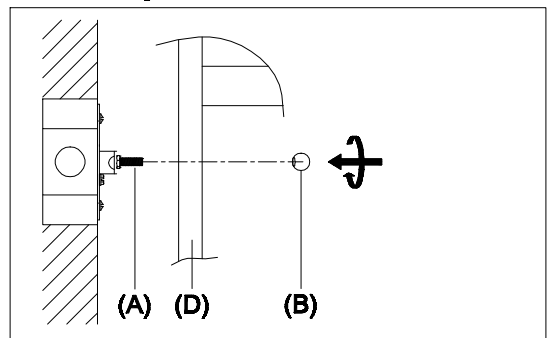
Locate all hardware & components before discarding packaging



Step 1: Remove mounting bracket(A) from fixture and install to electrical box using mounting screws(C)



Step 2: Wire fixture to wires in outlet box. Green wire is for ground.



Step 3: Attach wall sconce to mounting bracket(A) and secure using decorative nuts(B) provided.

Cleaning & Care:

Clean with soft cloth and a mild detergent.
Do not use abrasive cleaner.