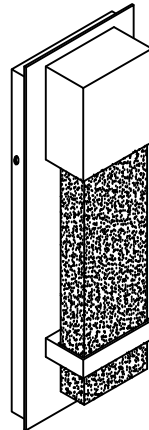




PRODUCT NAME: Cascade
ITEM NUMBER: 55910

Please consult your electrician for hanging fixture and wiring



To prevent water intrusion, caulk around back-plate where fixture meets the wall using outdoor silicone sealant.

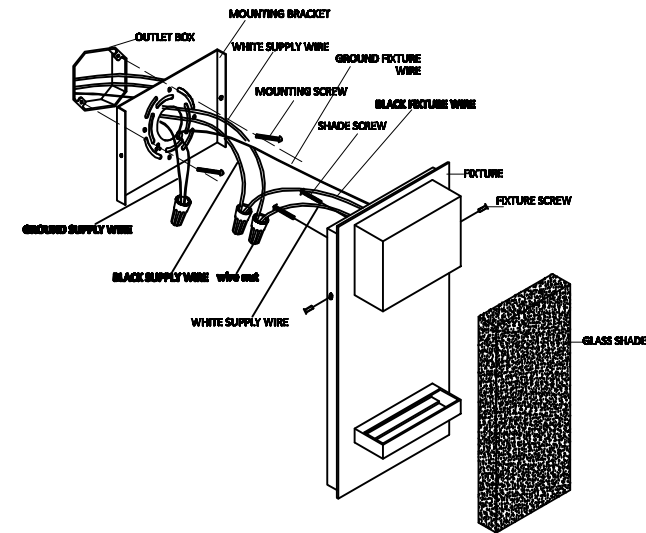
WARNING: Wires need to be connected to driver found in canopy and should not be connected directly to power source or a short may occur

9W LED 3000K, NO DIMMABLE



PRODUCT NAME: Cascade
ITEM NUMBER: 55910

CAUTION: Turn off the main power at the circuit breaker before installing and servicing the fixture to prevent possible injury from electric shock.
All electrical connections must be in accordance with local and National Electrical Code (N.E.C.) standards.
If you are unfamiliar with proper electrical wiring connections, obtain the services of a qualified electrician.



- Locate all hardware & components before discarding packaging
1. Remove mounting bracket from fixture and install to electrical box
 2. Wire fixture to wires in outlet box using wire nuts and secure with electrical tape. Black wire is live, white wire is neutral, ground wire is for ground.
 3. Install fixture to bracket using screws on the sides of the fixture to secure.
 4. Caulk around edge of backplate with silicone sealant. Leave a small gap at the bottom to allow moisture to escape.