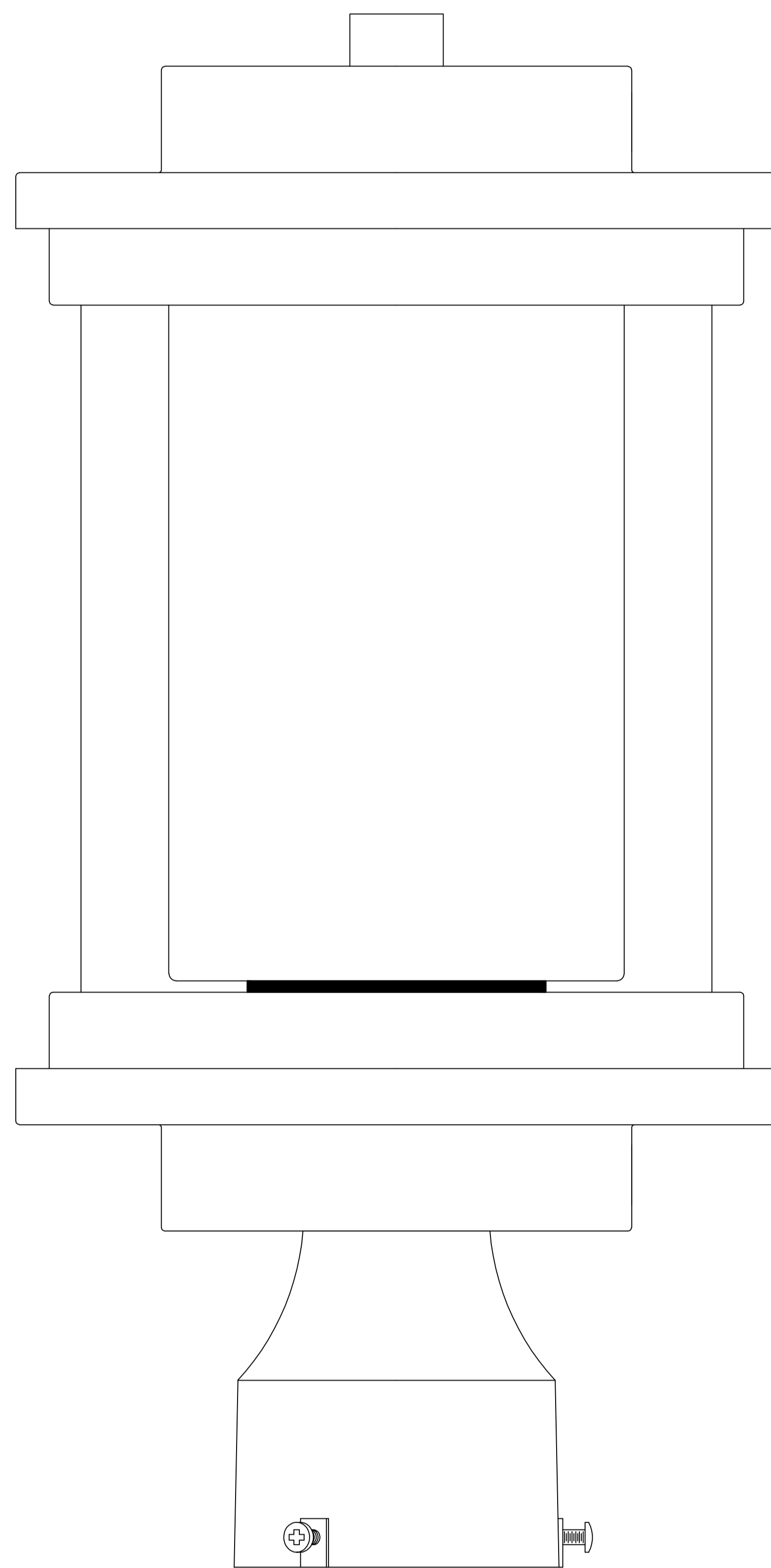




PRODUCT NAME: Lighthouse  
ITEM NUMBER: 55860

Please consult your electrician for hanging fixture and wiring.



To prevent water intrusion, caulk around the post to prevent water intrusion into the splicing area using outdoor silicone sealant.

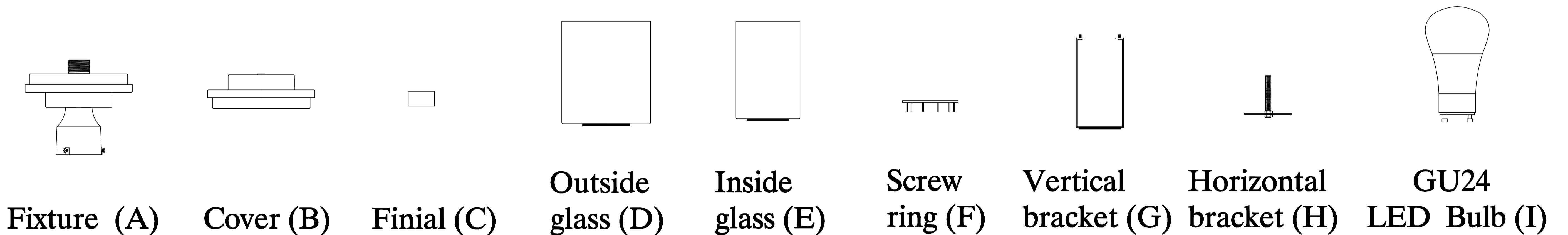
Bulb(included): 1×9W GU24 LED

MADE IN CHINA

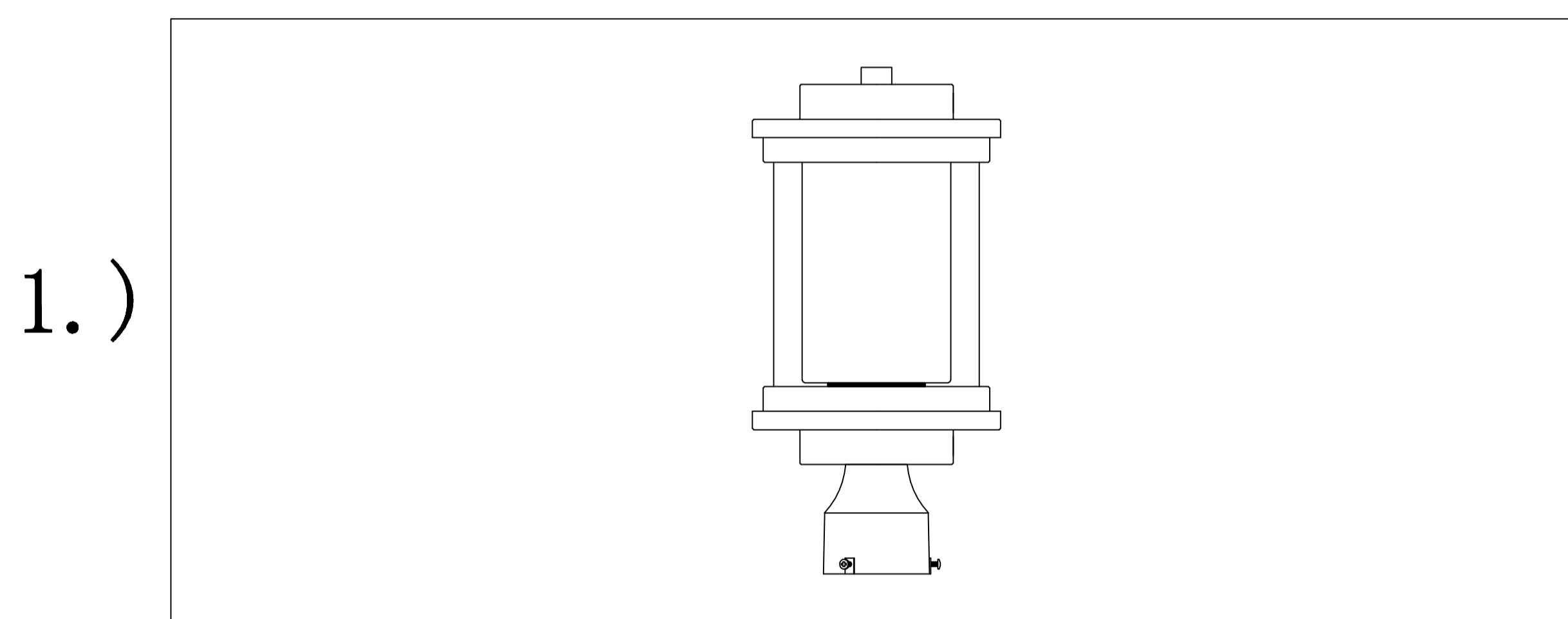


PRODUCT NAME: Lighthouse  
 ITEM NUMBER: 55860

**IMPORTANT:** Turn off the power at the main fuse or circuit breaker box before starting installation.

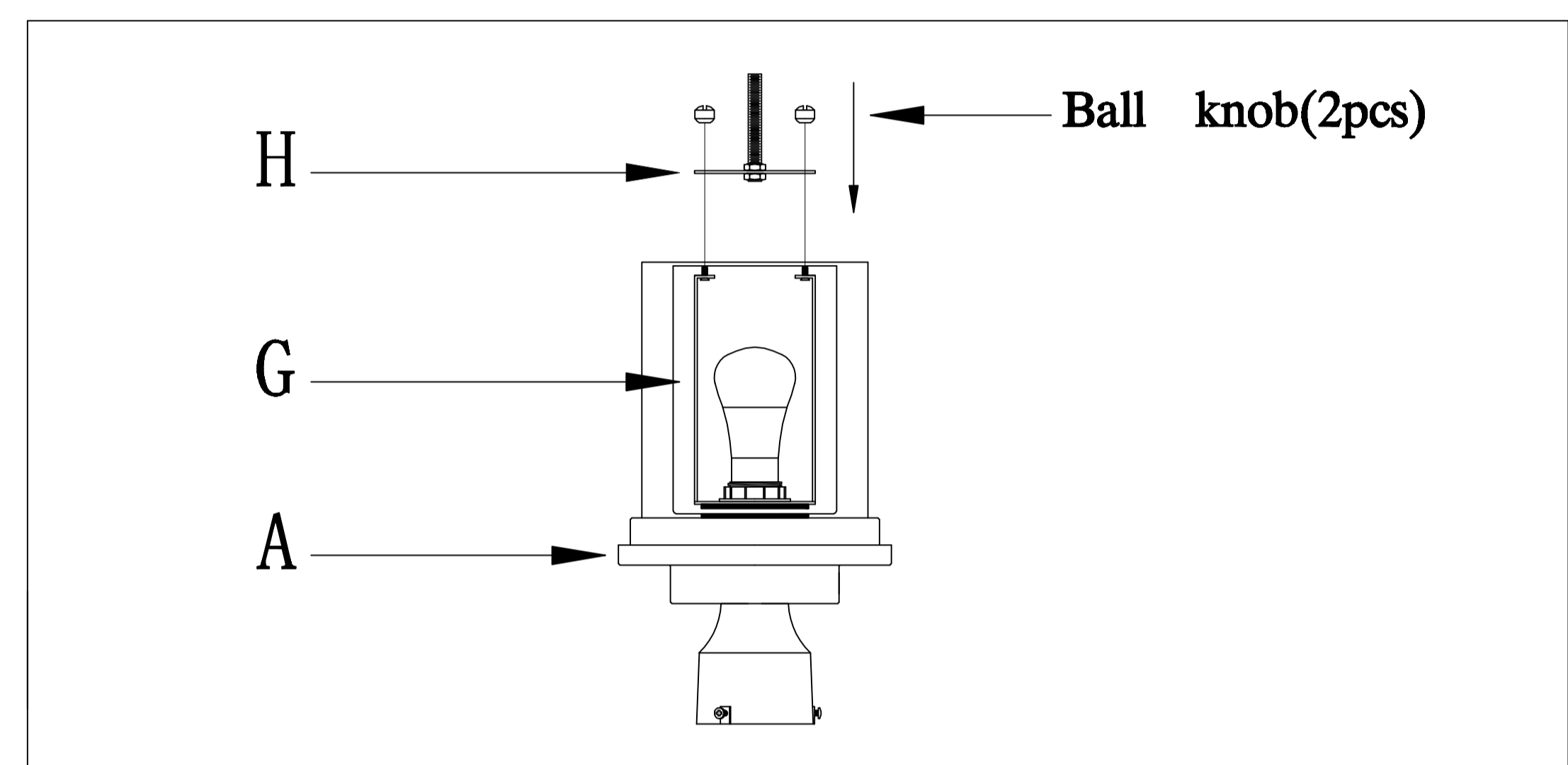


Locate all hardware & components before discarding packaging



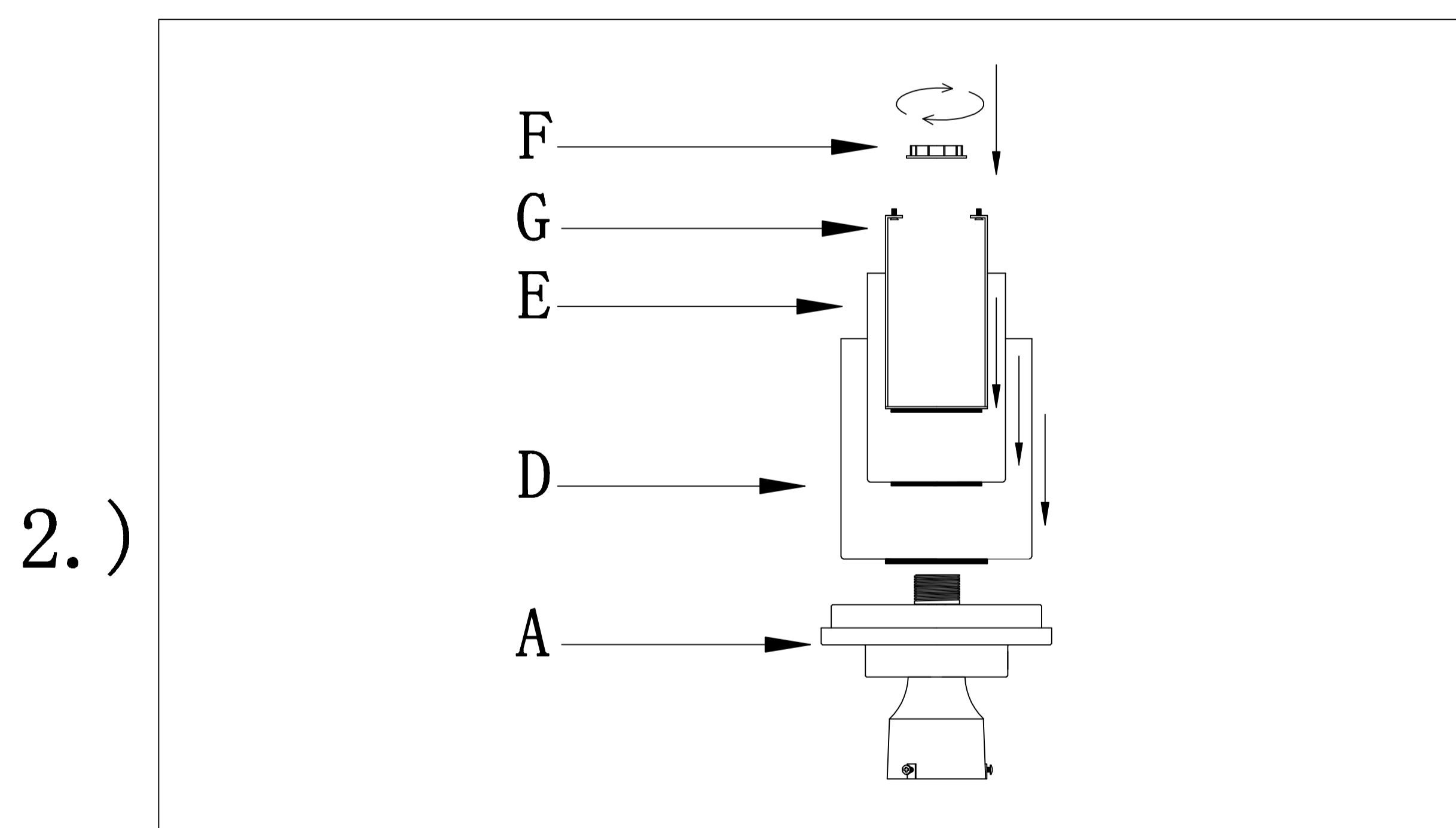
1.)

Step.1: Remove hood from the post by unscrewing top finial and two screws within the hood.



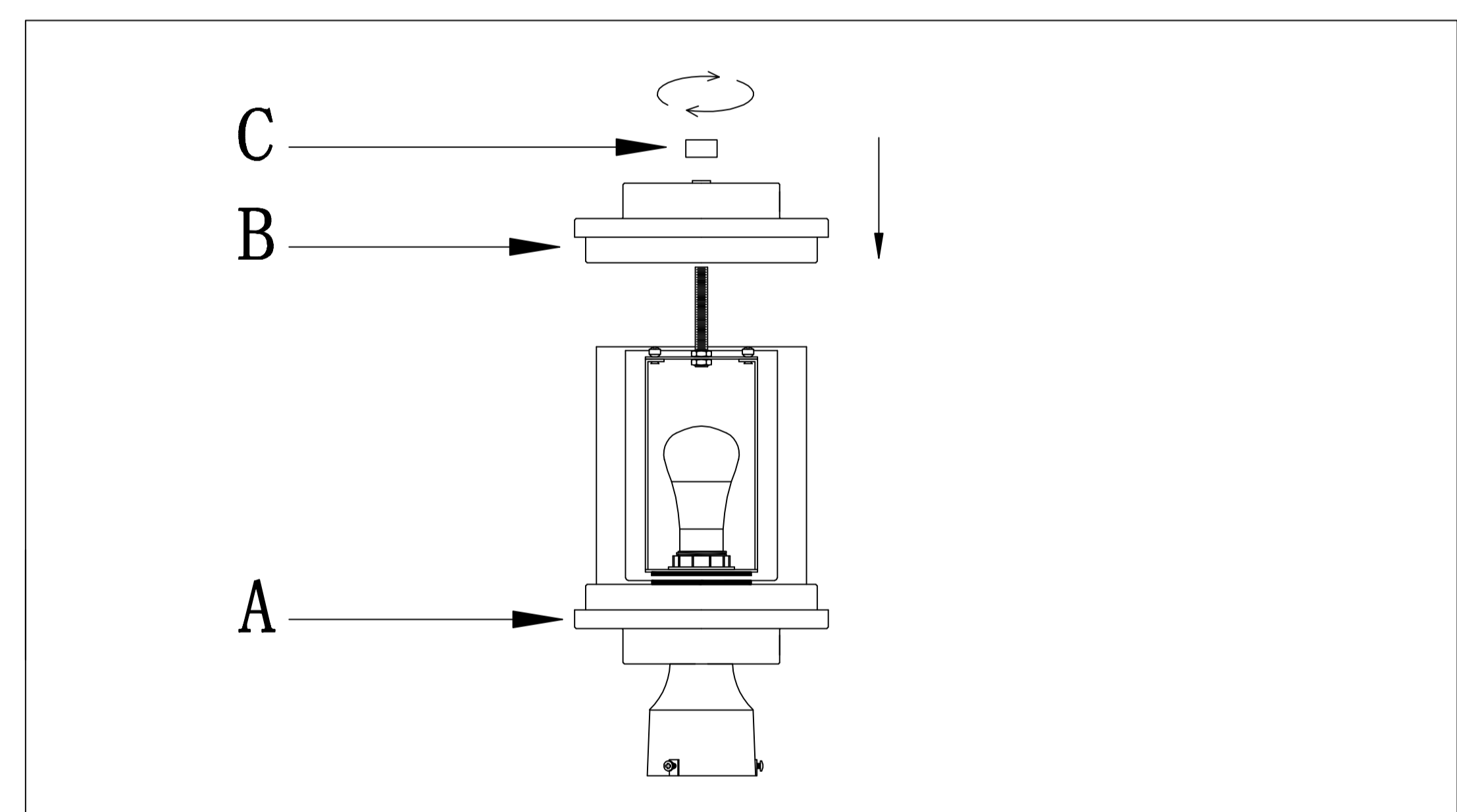
4.)

Step.4: Install the horizontal bracket(H) to the vertical bracket(G), using ball knobs.



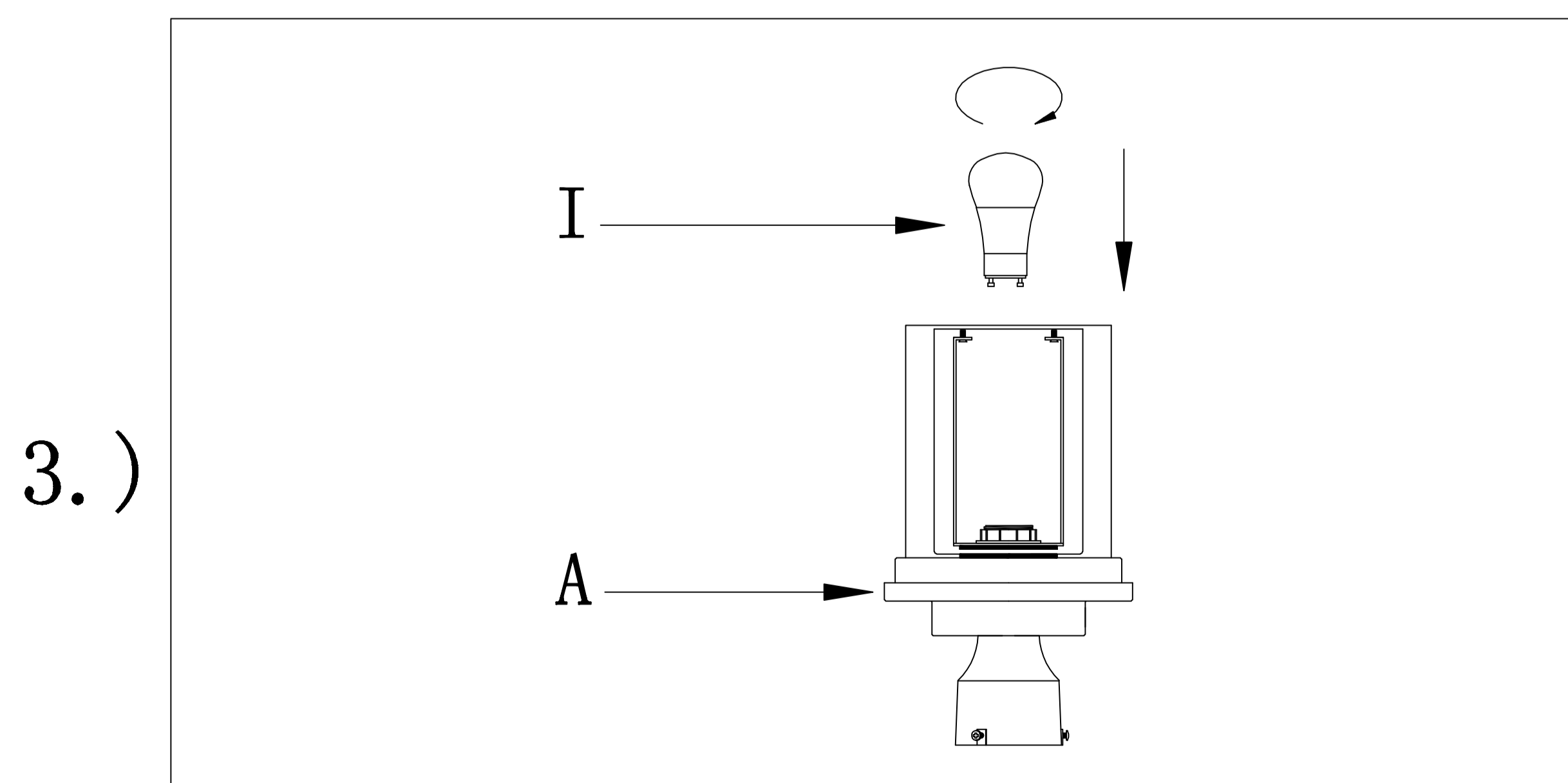
2.)

Step.2: Install the outside glass(D), the inside glass(E) and the vertical bracket(G) to fixture(A), using the screw ring(F).



5.)

Step.5: Install the cover(B) to the fixture, using the finial(C).



3.)

Step.3: Install GU24 LED bulb(I)

Step.6: Wire fixture to supply circuit in the post mount.

Step.7: Secure the fixture to the post using three screws on the post mount fitting.

Step.8: Caulk around the post using RTV silicone sealant to prevent water intrusion into the splicing area.

**Cleaning & Care:**

Clean with soft cloth and a mild detergent.  
 Do not use abrasive cleaner.

MADE IN CHINA