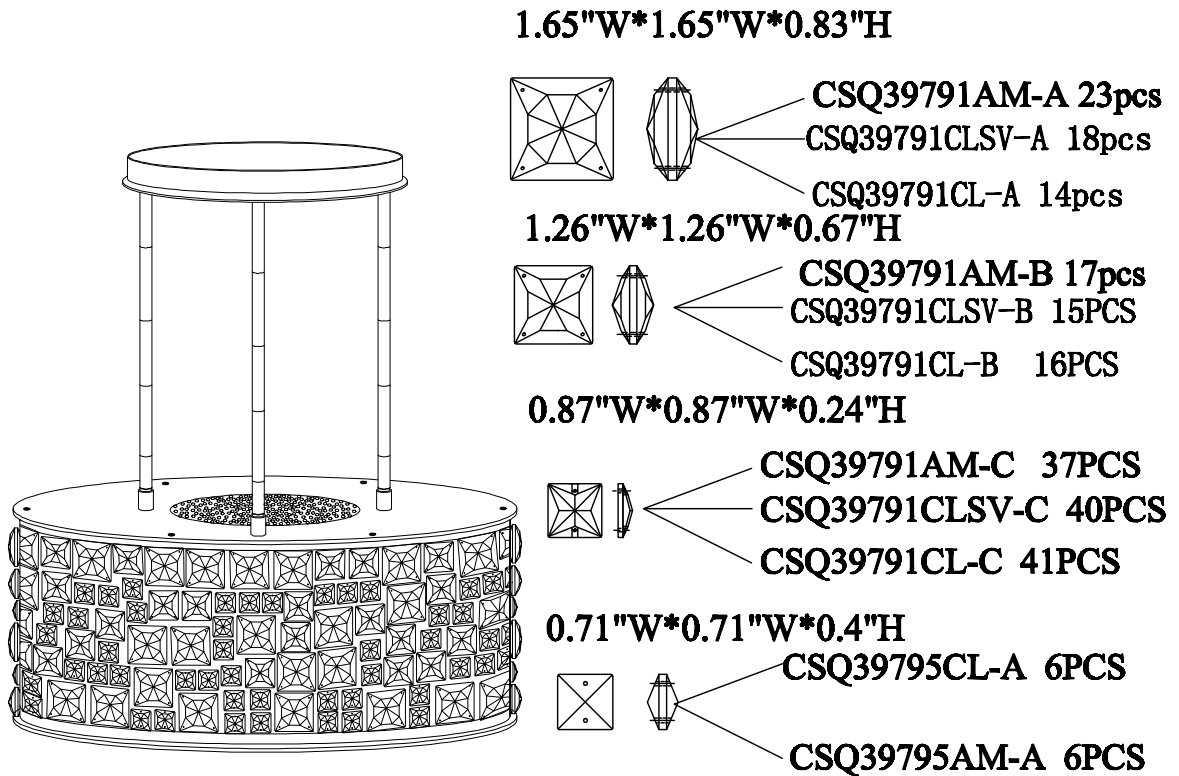




PRODUCT NAME: Fifth Avenue, 6lt pendant
ITEM NUMBER: 39795JCLB

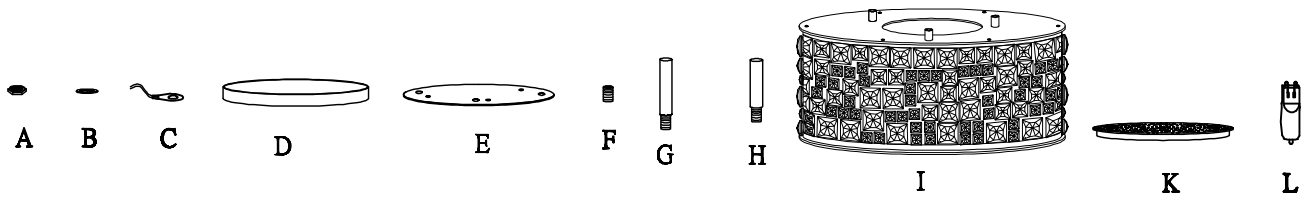
Please consult your electrician for hanging fixture and wiring.



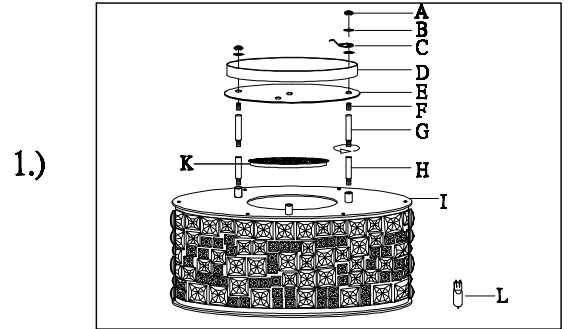
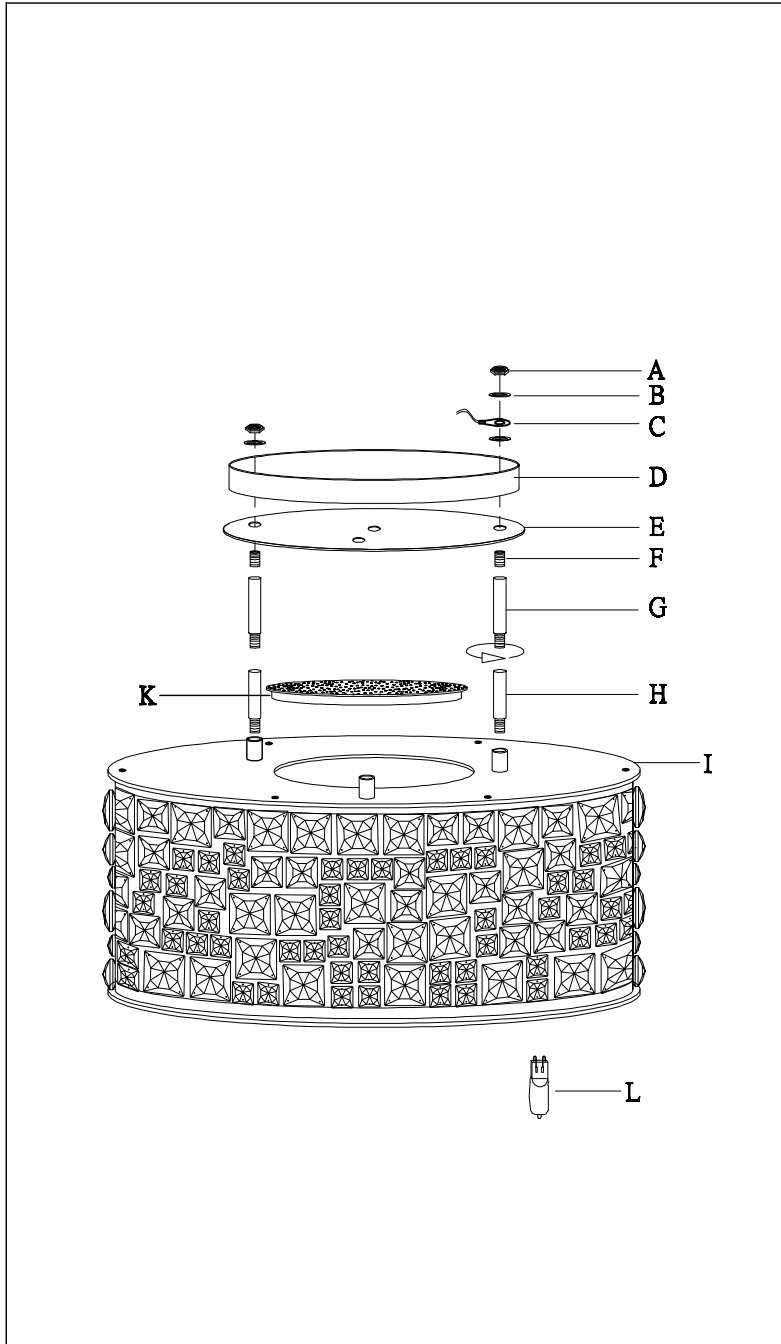
WARNING: Xenon bulbs get very hot and may burn you. Always make sure bulbs are off for a minimum of 10 minutes before handling. Fixture may be dimmed using an electronic low voltage dimmer.

Bulb(included): 6-40W G9 bulbs

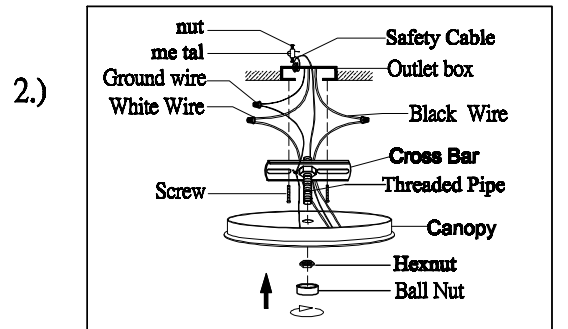
IMPORTANT: Turn off the power at the main fuse or circuit breaker box before starting installation



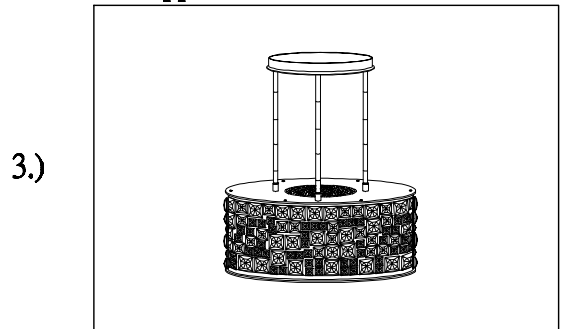
Locate all hardware & components before discarding packaging



1.) Step.1: Run wire through stems (G&H) as you attach the body (I). Combine stem lengths to meet desired mounting height. Install G9 bulbs (L),



2.) Step.2: Remove mounting bracket from fixture and install to electrical box. Wire fixture to wires in outlet box. Copper wire is for Ground. On wire side



3.) Step.3: Install fixture to bracket and tighten screws at the ends of the canopy (D) to secure.

Cleaning & Care:

Clean with soft cloth and a mild detergent.
Do not use abrasive cleaner.