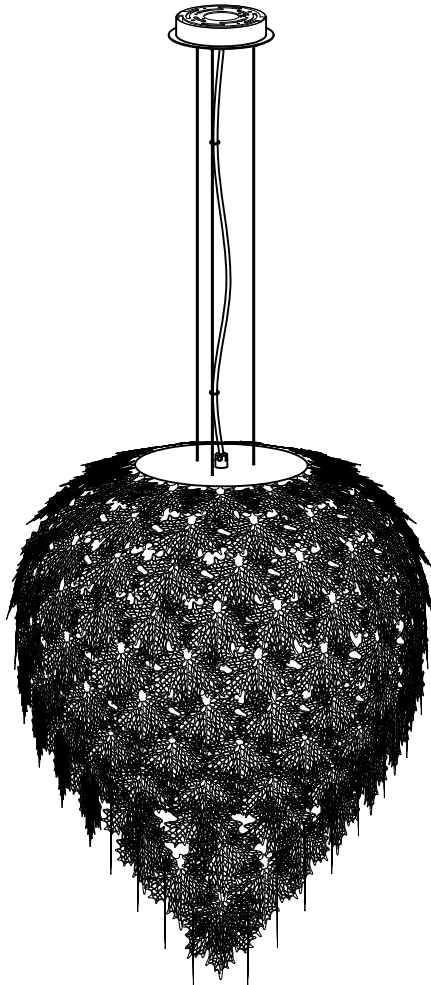




PRODUCT NAME:Vineyard  
ITEM NUMBER:39768

Please consult your electrician for hanging fixture and wiring.



**CAUTION:**Xenon bulbs get very hot and may burn you. Always make sure bulbs are off for a minimum of 10 minutes before handling. Fixture may be dimmed using a magnetic low voltage dimmer

Bulb(included): 5xG9 40W

**IMPORTANT:** Turn off the power at the main fuse or circuit breaker box before starting installation

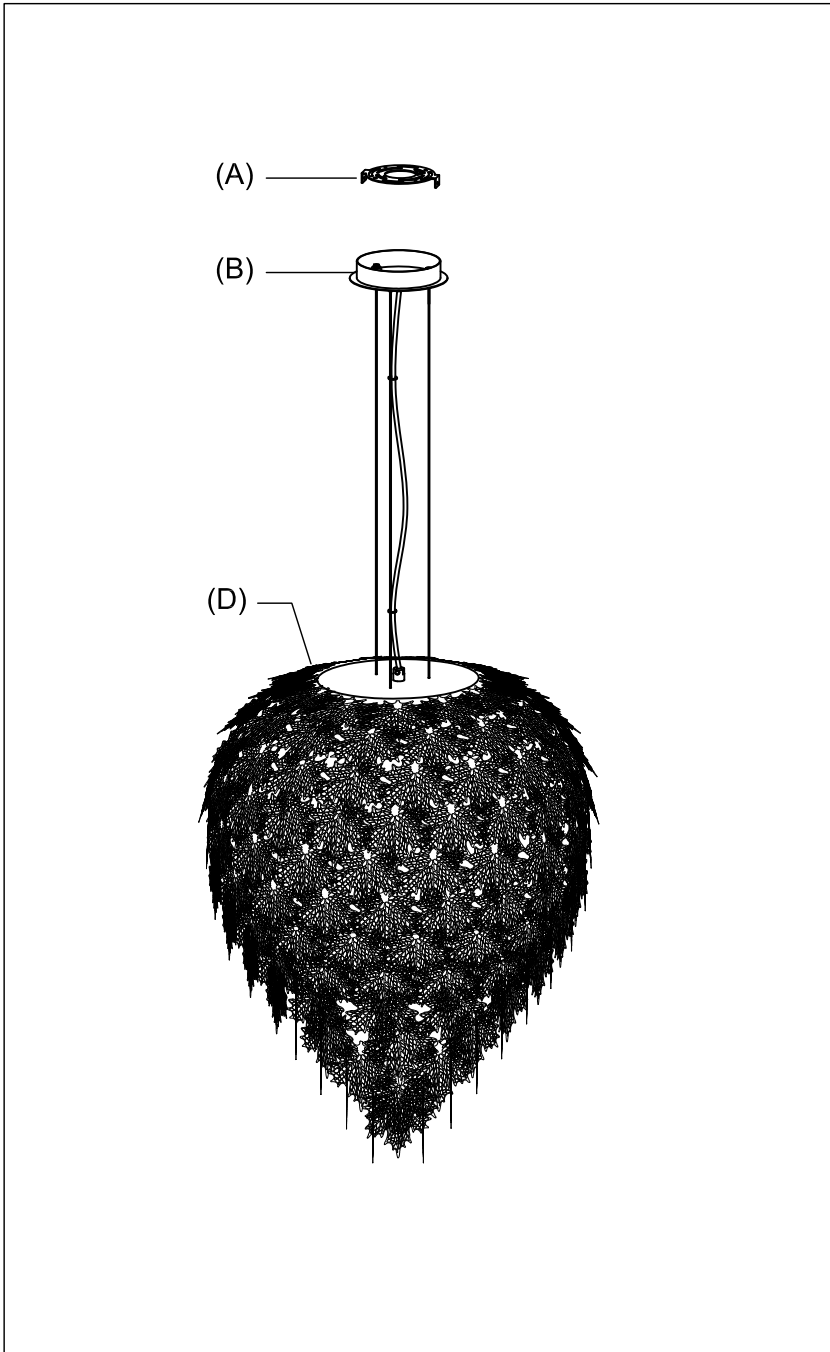


Bracket(A)

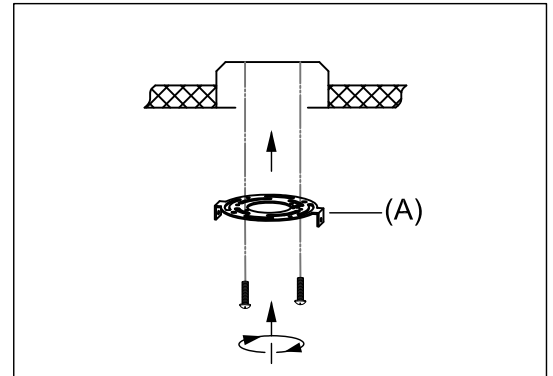


Canopy(B)

**Locate all hardware & components before discarding packaging**

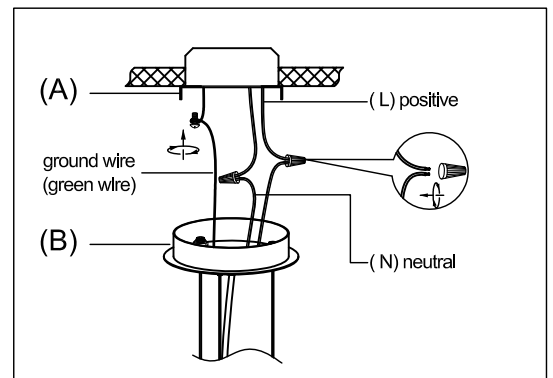


1.)



Step.1: Remove mounting bracket (A) from fixture and install to electrical box.

2.)



Step.2: Wire fixture to wires in outlet box. Green wire is for Ground.

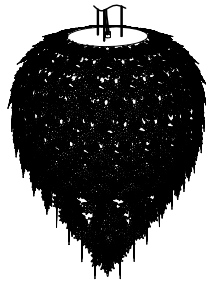
**Cleaning & Care:**

Clean with soft cloth and a mild detergent.  
Do not use abrasive cleaner.

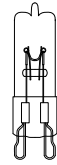
**IMPORTANT:** Turn off the power at the main fuse or circuit breaker box before starting installation



Screw(C)



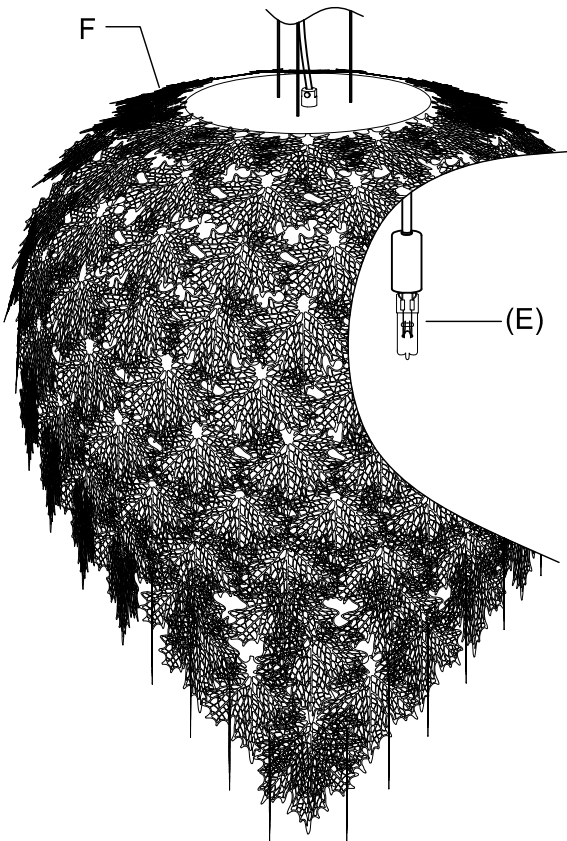
Body(D)



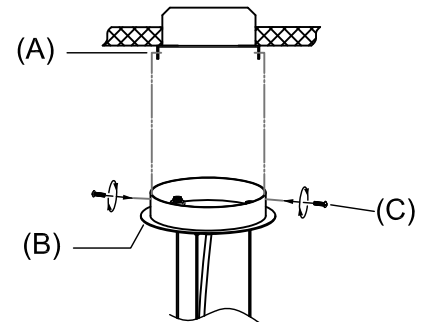
G9 bulb(E)

**Locate all hardware & components before discarding packaging**

F: THE LEAVES LEA39763PC 116 PCS

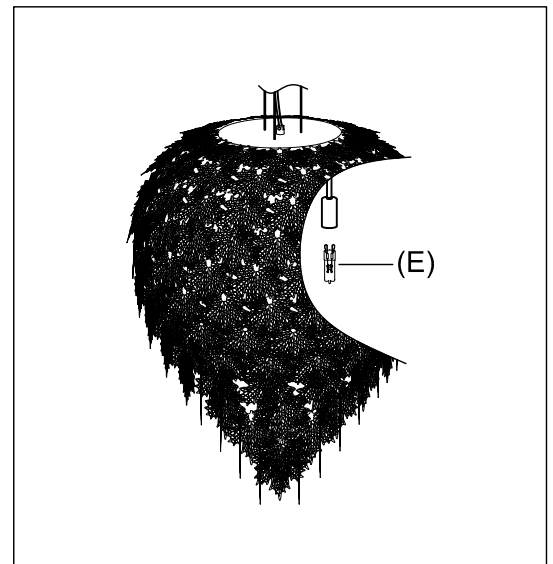


3.)



Step.3:Adjust wire length to desired mounting height using push pin. Install canopy (B) to bracket and tighten lock nut (C) on wire to secure.

4.)



Step.4:Install G9 bulb (E).

**Cleaning & Care:**

Clean with soft cloth and a mild detergent.  
Do not use abrasive cleaner.