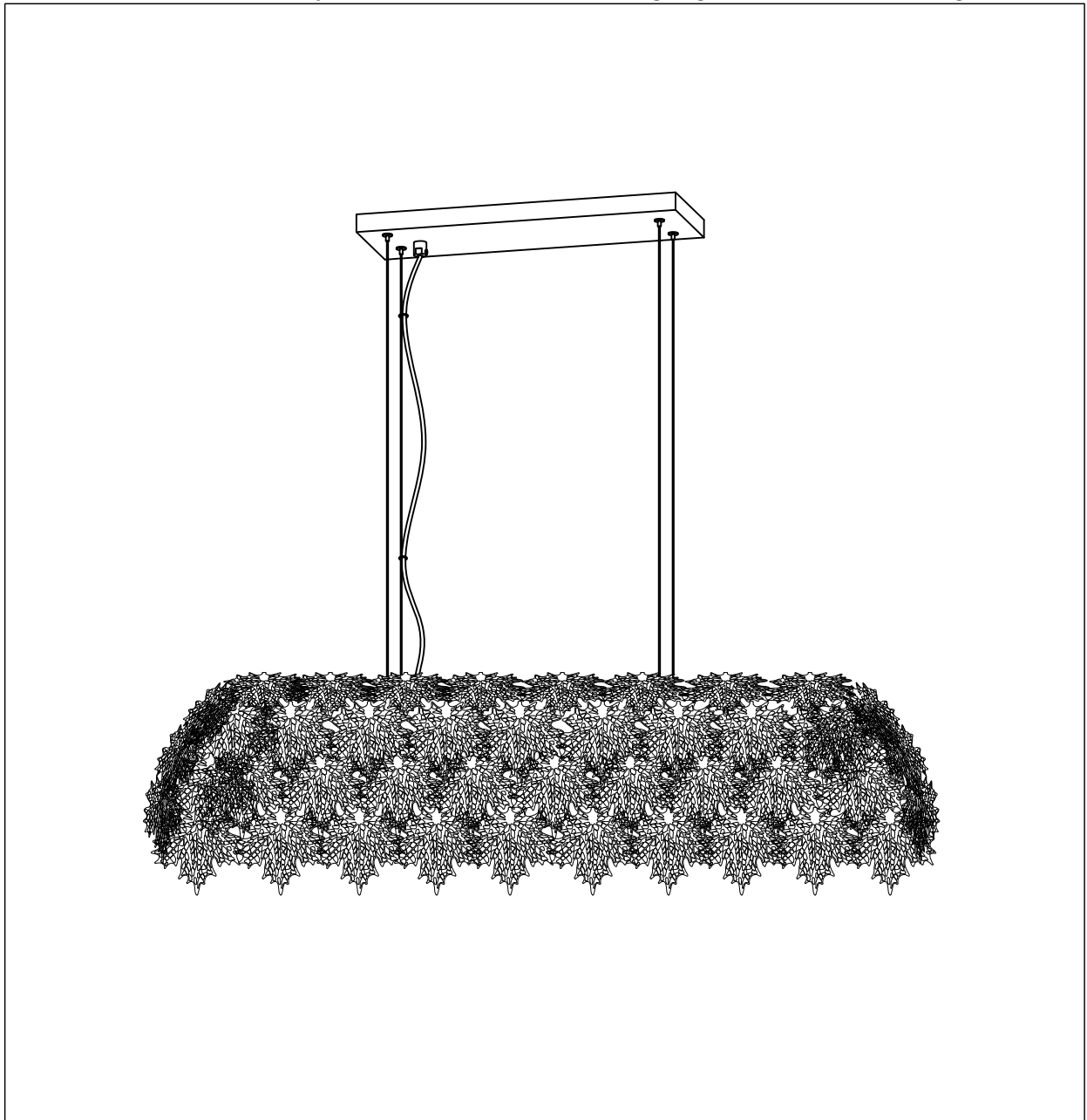




PRODUCT NAME:Vineyard
ITEM NUMBER:39767

Please consult your electrician for hanging fixture and wiring.



Bulb(included):7xG9 40W

IMPORTANT: Turn off the power at the main fuse or circuit breaker box before starting installation

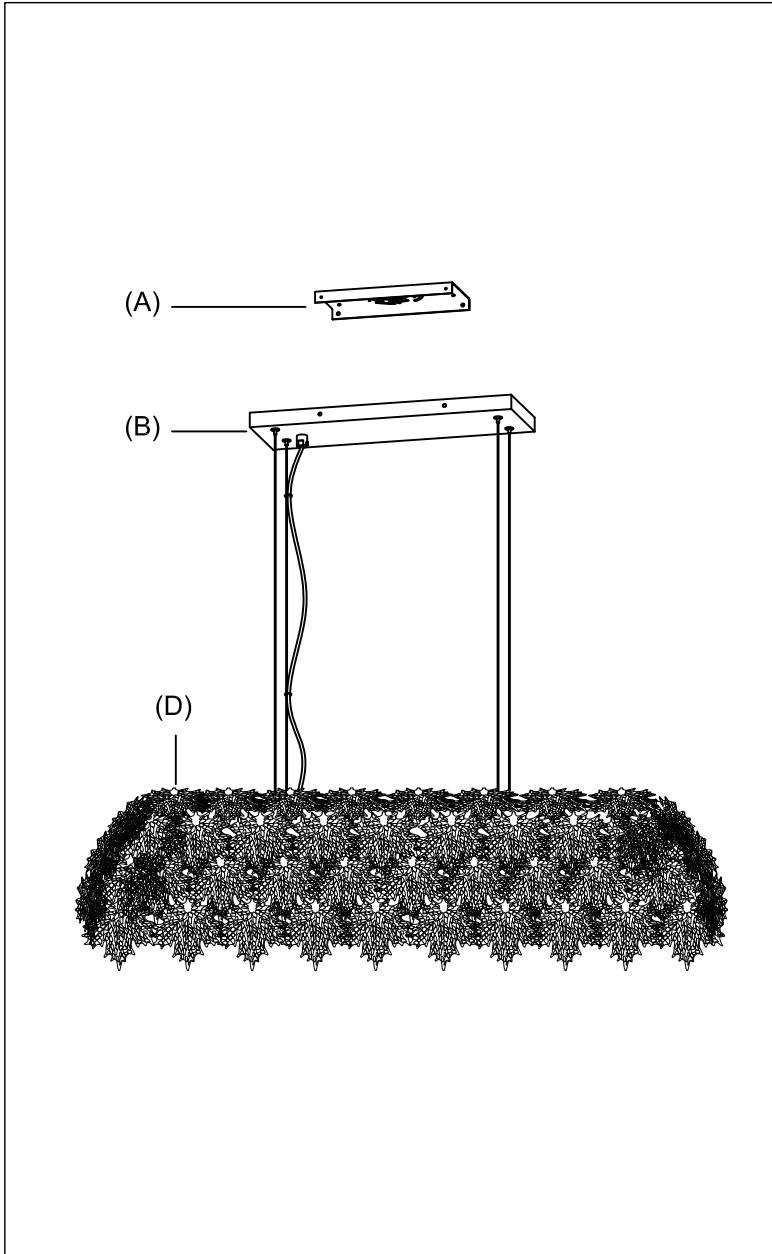


Bracket(A)

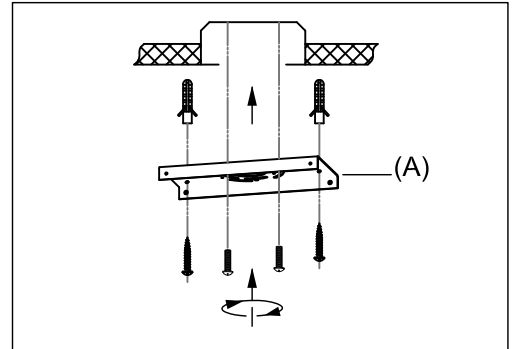


Canopy(B)

Locate all hardware & components before discarding packaging

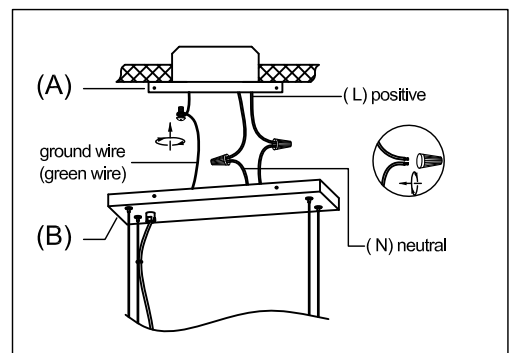


1.)



Step.1:Remove mounting bracket (A) from fixture. Mark where anchors at ends of bracket meet the ceiling. Remove mounting bracket from ceiling. Drill holes using $3/16'' \pm$ drill bit where marked. Install mounting bracket (A) to outlet box with screws and attach anchors to secure bracket at ends.

2.)

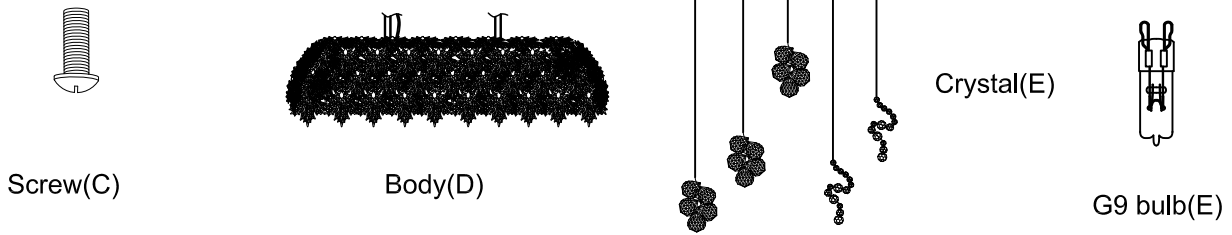


Step.2:Wire fixture to wires in outlet box. Green wire is for Ground.

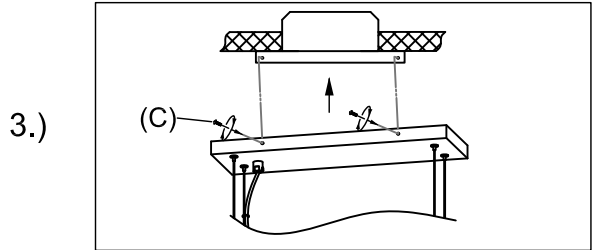
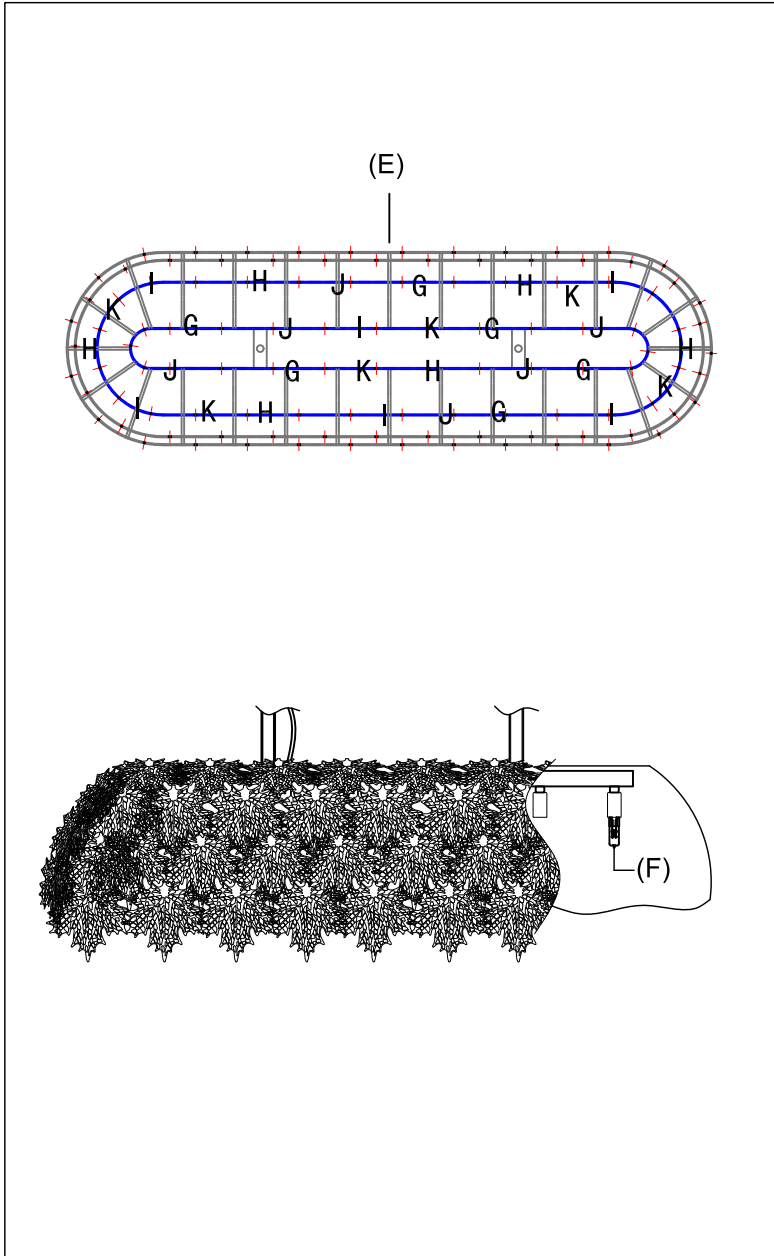
Cleaning & Care:

Clean with soft cloth and a mild detergent.
Do not use abrasive cleaner.

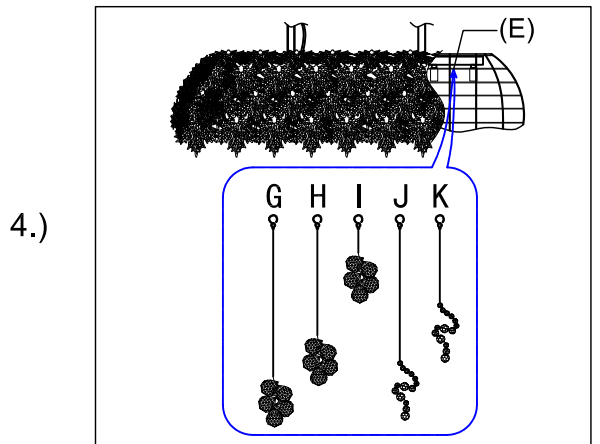
IMPORTANT: Turn off the power at the main fuse or circuit breaker box before starting installation



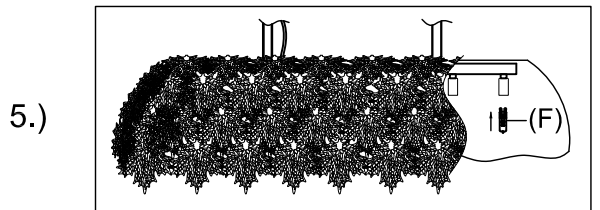
Locate all hardware & components before discarding packaging



3.) Step.3:Adjust wire length to desired mounting height using push pin. Install canopy (B) to bracket and tighten lock nut (C) on wire to secure.



4.) Step.4:Hang crystal (E).



5.) Step.5:Install G9 bulb (F).

Cleaning & Care:

Clean with soft cloth and a mild detergent. Do not use abrasive cleaner.