



**PRODUCT NAME: Kinetic LED 6-Light Pendant**  
**ITEM NUMBER: 39695CLDSN**

**Please consult your electrician for hanging fixture and wiring.**

**The fixture is designed to dim with a standard Triac forward phase dimmer. Dimming levels will vary by dimmer.**

**Below is a list of recommended dimmers:**

**Voici une liste de variateur recommandé :**

**Lutron MACL-153M**

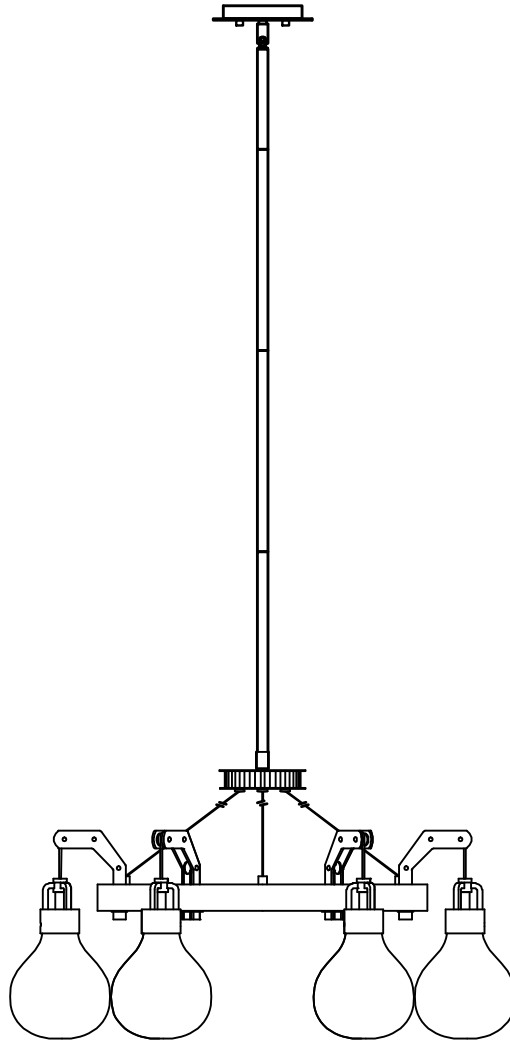
**Lutron DVL-153P**

**Lutron SCL-153P**

**Leviton IPL06-10Z**

**Leviton 6674-POW**

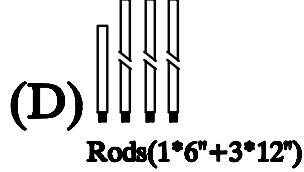
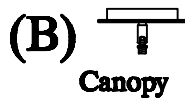
**Due to inrush current wattage should not exceed 150 watts of product for a 600 watt dimmer.**



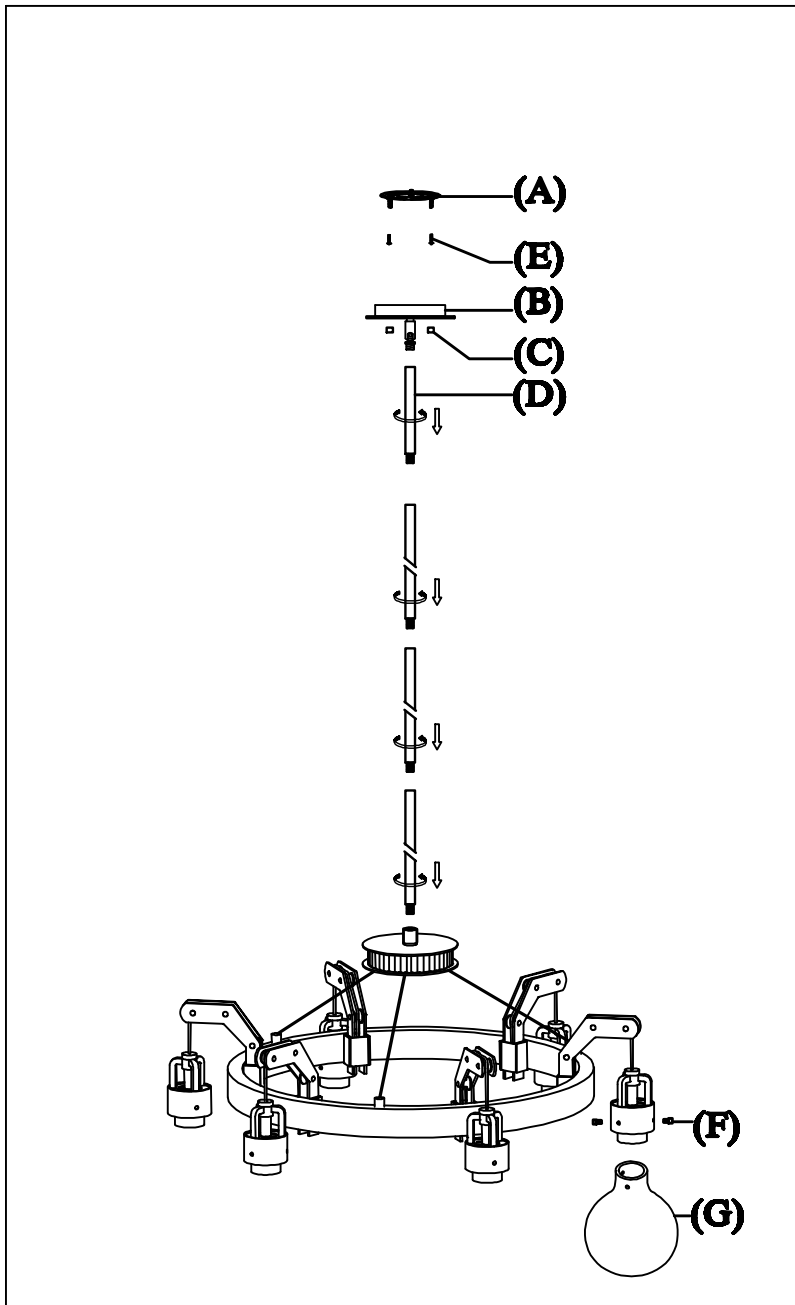
**Bulb(included) 6-PCB-6W**

**MADE IN CHINA**  
**Page 1 of (3)**

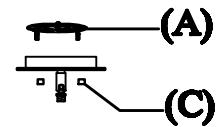
**IMPORTANT: Turn off the power at the main fuse or circuit breaker box before starting installation**



**Locate all hardware & components before discarding packaging**

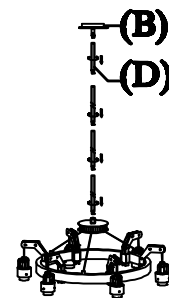


1.)



**Step1: Remove mounting bracket from canopy.**

2.)



**Step2: Carefully remove packaging from fixture. Run wire through stems (D) and combine stem lengths to meet desired mounting height. Then attach canopy (B) to fixture.**

**Cleaning & Care:**  
Clean with soft cloth and a mild detergent.  
Do not use abrasive cleaner.

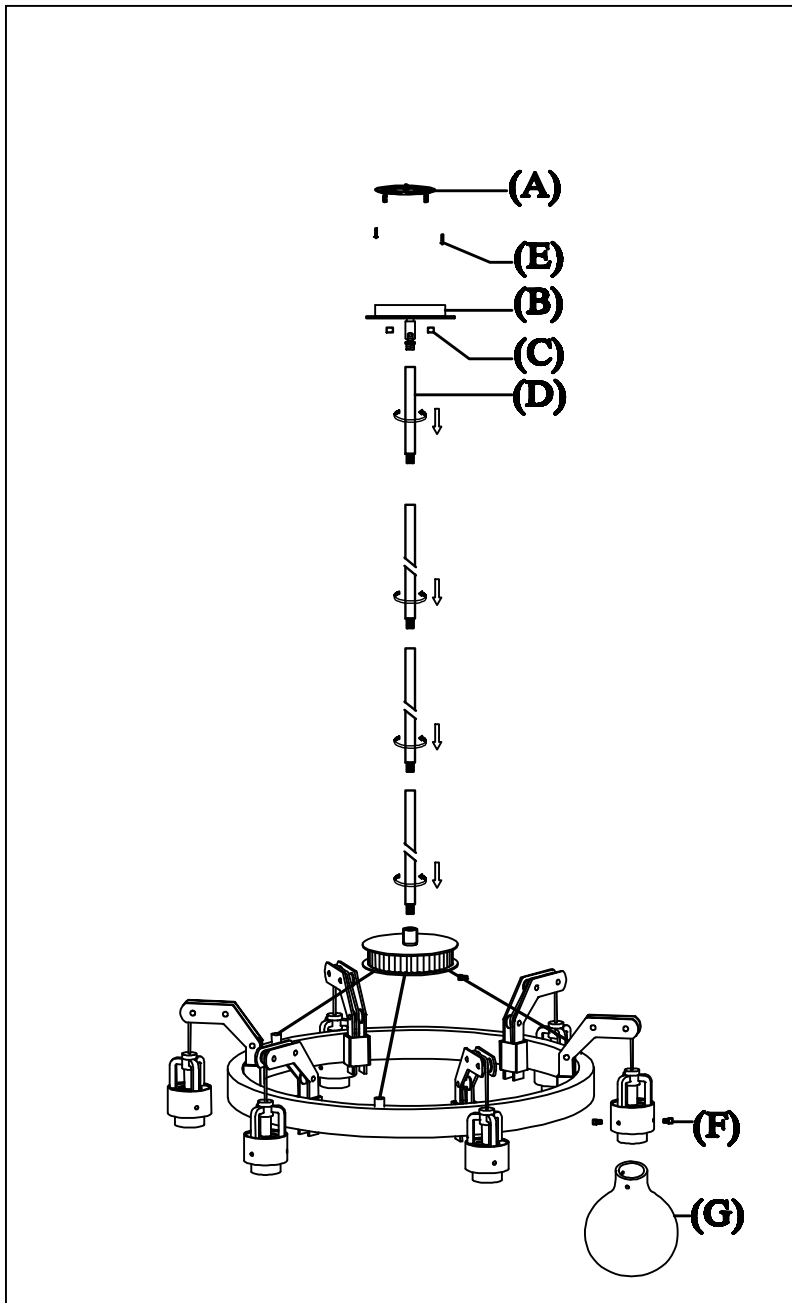
**IMPORTANT: Turn off the power at the main fuse or circuit breaker box before starting installation**

**(E)**   
Screw (2PCS)

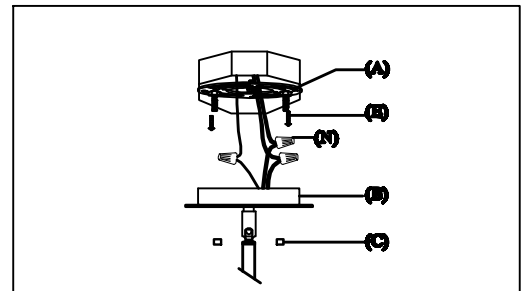
**(F)**   
Anchor(18PCS)

**(G)**   
Glass Shade(6PCS)

**Locate all hardware & components before discarding packaging**

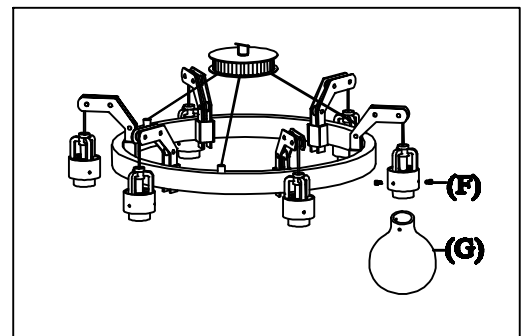


1.)



**Step3: Install fixture to bracket and tighten ball nuts at the ends of the canopy to secure.**

2.)



**Step4: Lock the glass shade(G) with screws(F)**

**Cleaning & Care:**  
Clean with soft cloth and a mild detergent.  
Do not use abrasive cleaner.