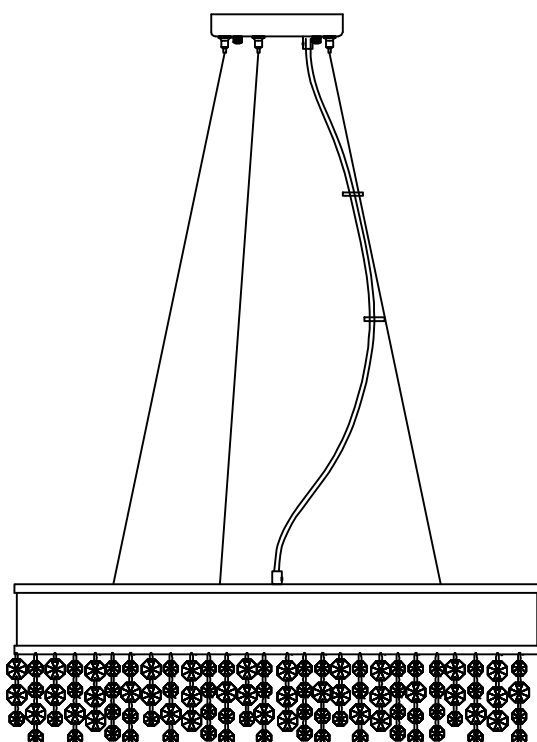




PRODUCT NAME: Mystic
ITEM NUMBER: 39655SHBZ

Please consult your electrician for hanging fixture and wiring.



Warning! This fixture is supplied with an installed LED driver. These fixtures are dimmable using standard triac dimmer. For best operation we recommend using Lutron CL Dimmers.

16*2.8W LED

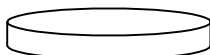
IMPORTANT: Turn off the power at the main fuse or circuit breaker box before starting installation



(A)
Mounting Bracket



(B)
Anchor Bolts



(C)
Canopy

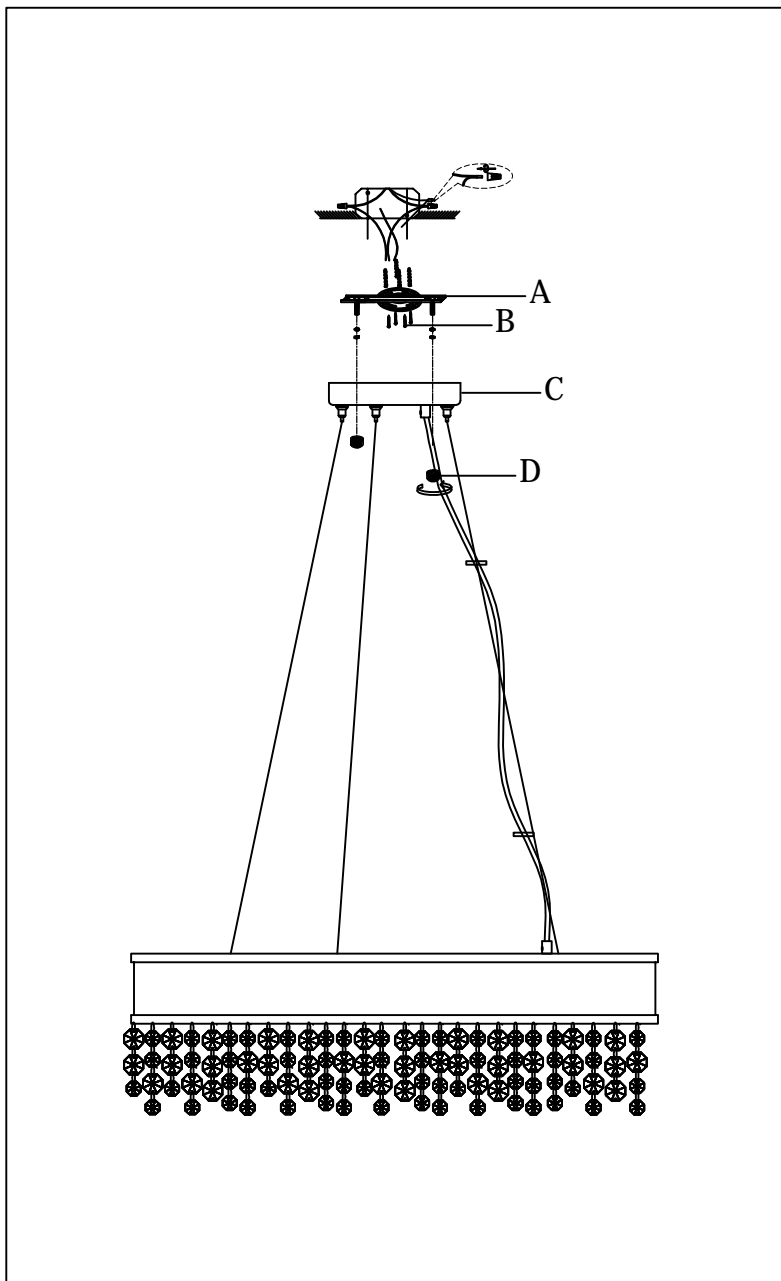


(D)
Finial

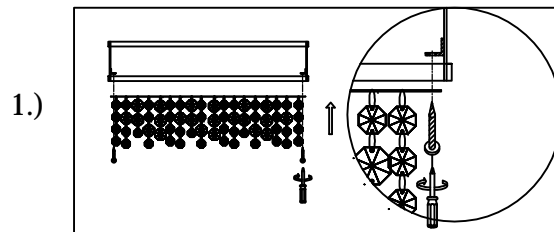


(F)
Crystal

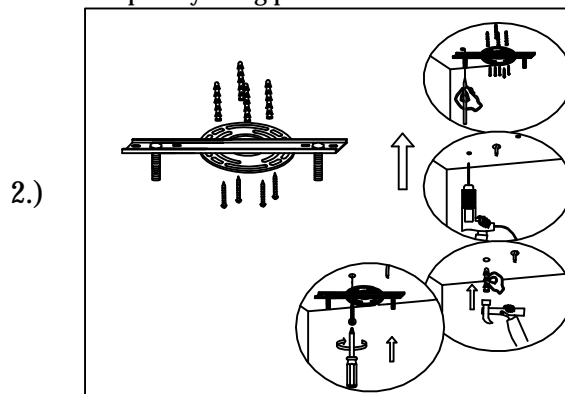
Locate all hardware & components before discarding packaging



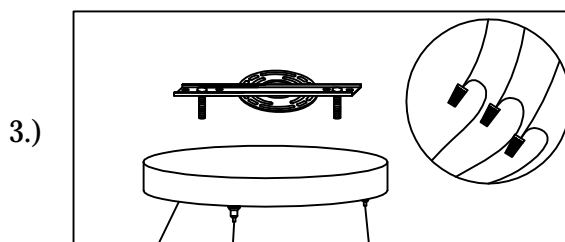
Cleaning & Care:
Clean with soft cloth and a mild detergent.
Do not use abrasive cleaner.



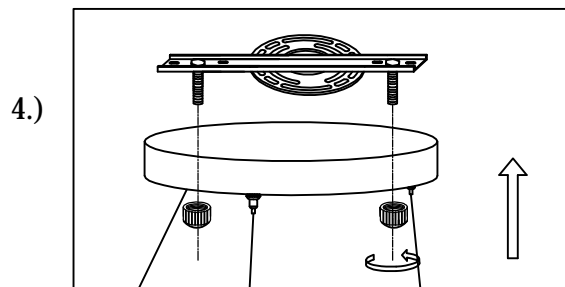
1.) Step.1: Secure the crystal strand assembly (F) to the lamp body using provided screws.



2.) Step.2: Remove mounting bracket (A) and install to electrical box. Mark where anchors meet ceiling, remove mounting bracket from ceiling, and then drill holes using $\frac{3}{16}$ " drill bit where marked (B). Install mounting bracket and attach anchors to secure bracket at ends.



3.) Step.3: Wire fixture to wires in outlet box. Green wire is for Ground.



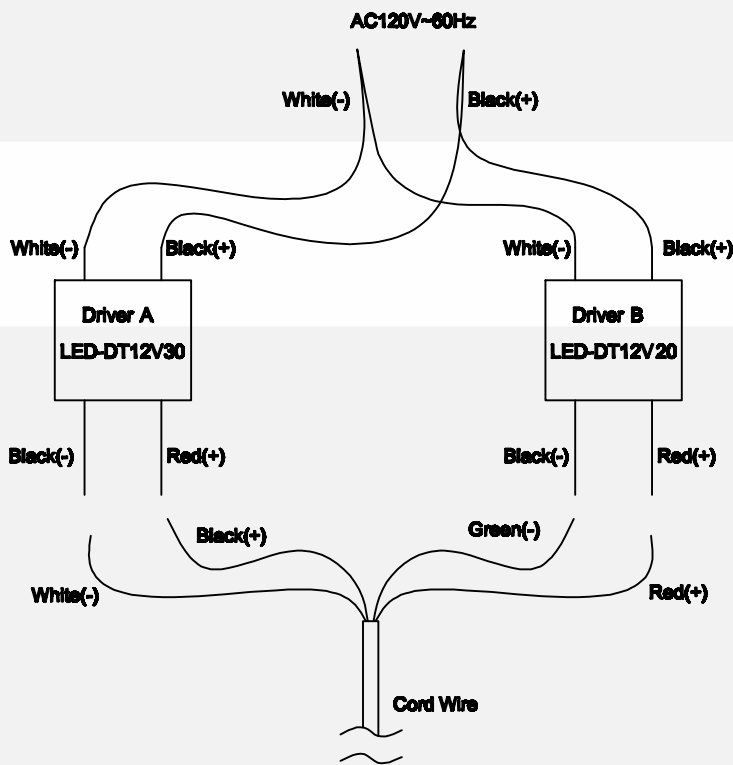
4.) Step.4: Screw finials (D) onto mounting bracket (A) until canopy is flush with ceiling. Adjust wire to desired mounting height.

CRITICAL INSTRUCTION

Triac or ELV Dimmers

This fixture **must** be installed with compatible dimmer types only. Improper wiring of fixture and/or use of incorrect dimmers will cause **catastrophic failure** and void the warranty.

39655SHBZ, 39655MSKPC



SCHEMATIC FOR GENERAL REFERENCE ONLY

Refer to dimmer manufacturer's instructions for proper installation.

USE ONLY

Triac or ELV dimmer
For example, Lutron
DVCL-150P / DVCL-153P

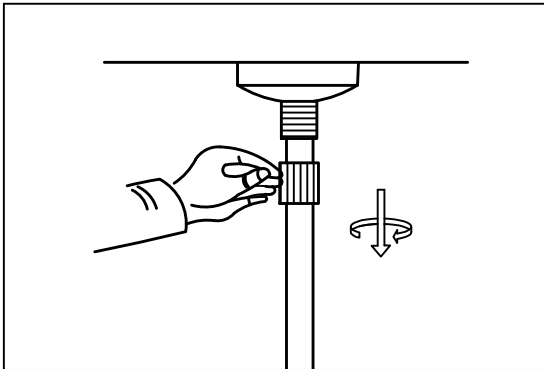
DO NOT USE

0-10V or magnetic
dimmer

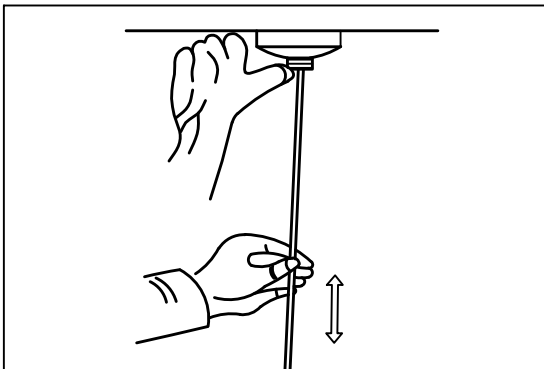
IMPORTANT

Make sure that your
dimnable LED fixture is paired
with the correct dimmer type

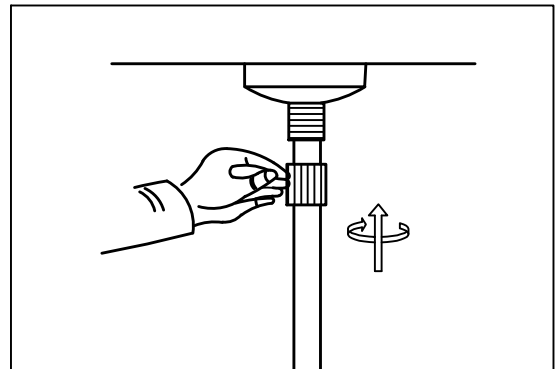
**Must be installed by a licensed electrician with
knowledge of electronic lighting systems**



1. Loose the screw



2. Push the pin, and release the wire or the support cable to desired length.



3. Tighten the screw with the pin.