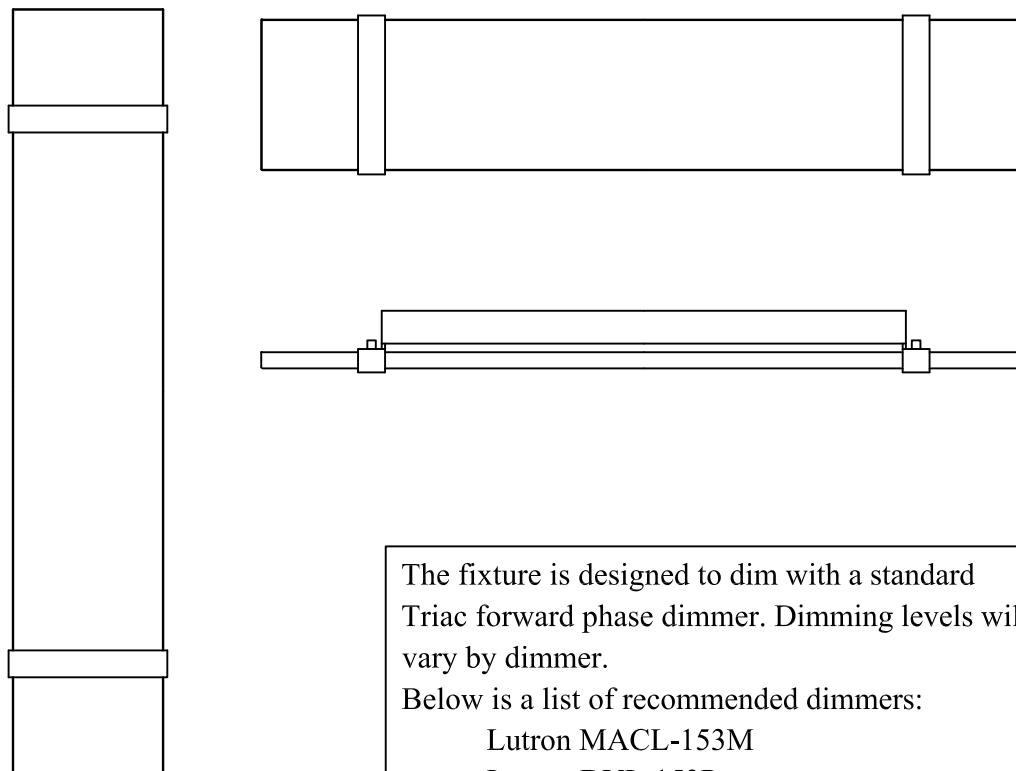




PRODUCT NAME: Image 1-Light Bath Vanity
ITEM NUMBER: 39635CLSN/39636CLSN/39638CLSN

Please consult your electrician for hanging fixture and wiring.

Alternate Installations: Vertical / Horizontal



The fixture is designed to dim with a standard Triac forward phase dimmer. Dimming levels will vary by dimmer.

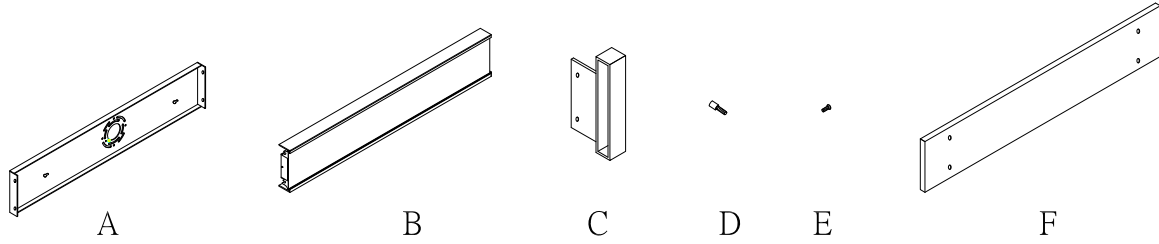
Below is a list of recommended dimmers:

- Lutron MACL-153M
- Lutron DVL-153P
- Lutron SCL-153P
- Leviton IPL06-10Z
- Leviton 6674-POW

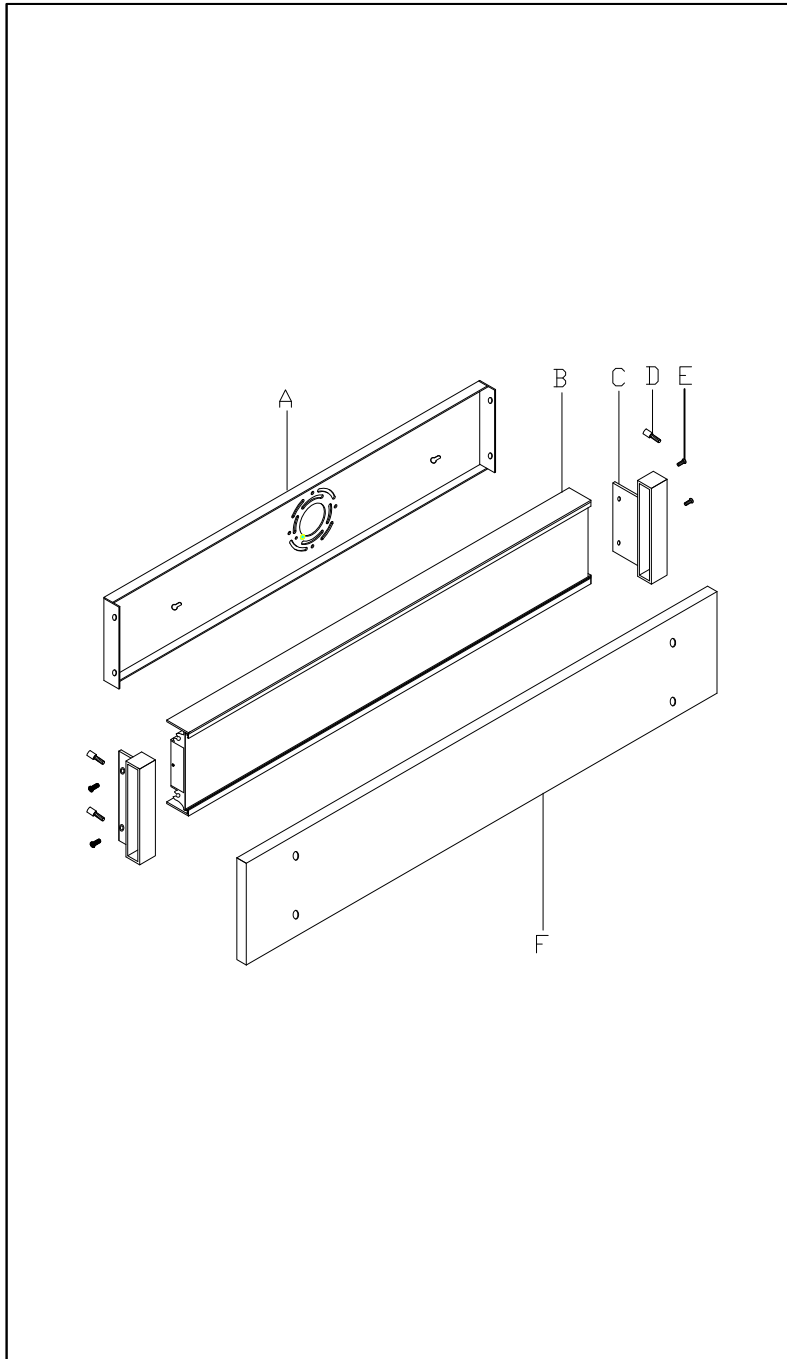
Due to inrush current, wattage should not exceed 150 Watts of product for a 600 Watt dimmer.

Bulb (integrated): 17W/22W/32W LED

IMPORTANT: Turn off the power at the main fuse or circuit breaker box before starting installation



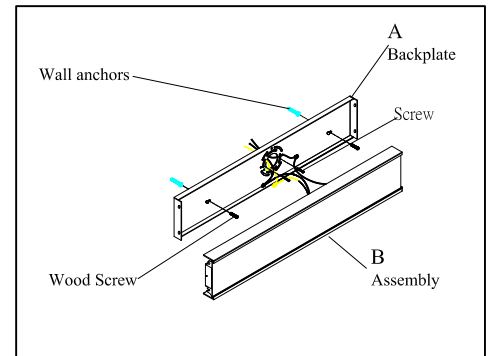
Locate all hardware & components before discarding packaging



Cleaning & Care:

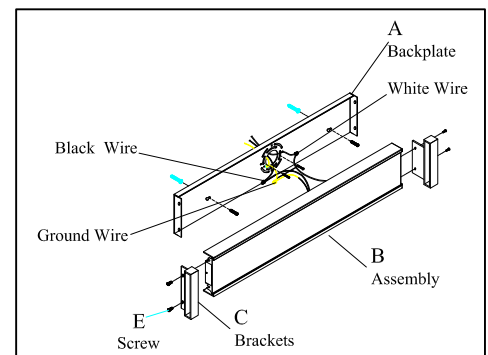
Clean with soft cloth and a mild detergent.
Do not use abrasive cleaner.

1.)



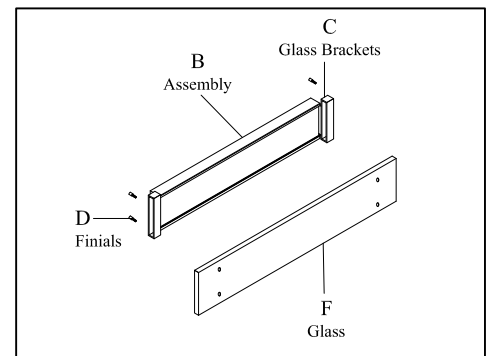
Step.1: Remove backplate (A) from fixture (B) and install to electrical box. Mark where anchors meet the wall. Drill holes using $3/16'' \pm$ drill bit where marked. Install backplate (A) to outlet box and attach anchors to secure bracket at ends.

2.)



Step.2: Wire fixture to wires in outlet box. Copper wire is for Ground. Attach assembly (B) to the backplate (A) running screws (E) provided through the brackets (C) before tightening.

3.)



Step.3: Run glass (F) through glass brackets (C) and secure to brackets using finials (D).