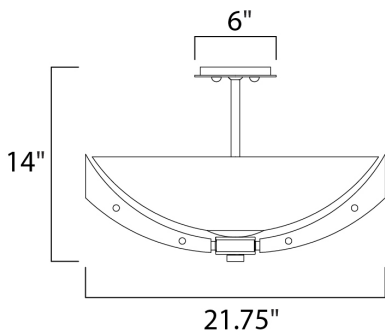




PRODUCT DESCRIPTION

A modern classic created using mixed medium in complimentary finishes that come together to compose a beautiful art form. Available in your choice of Wenge wood with Black and Polished Nickel accents or Antique Pecan wood with Bronze and Satin Brass. Tall Clear glass cylinders with a frosted band complement the scale of the design.



MEASUREMENTS

DIMENSION : 21.75" L x 21.75" W x 14" H
 MAX OAH : 56" OAH
 CANOPY : 6" W x 0.75" H x 6" L
 HANGING WEIGHT : 17.1 lb
 WIRE LENGTH : 120"

LAMPING

INPUT VOLTAGE : 120V
 LUMENS : 1,960 Rated
 BULB : 4 x 40W Xenon G9 , 160W Total
 BULB INCLUDED : (Included)
 DIMMABLE : Yes

FINISHES OPTION

- Black / Wenge
- Bronze / Antique Pecan

GLASS

Clear CL

MATERIAL

Steel, Wood, Glass

RATINGS

cETLus
 Dry Location



ADDITIONAL

OPERATING TEMPERATURE:
 -20°C (-4°F), 40°C (104°F)

Always consult a qualified electrician before installing any lighting product.

