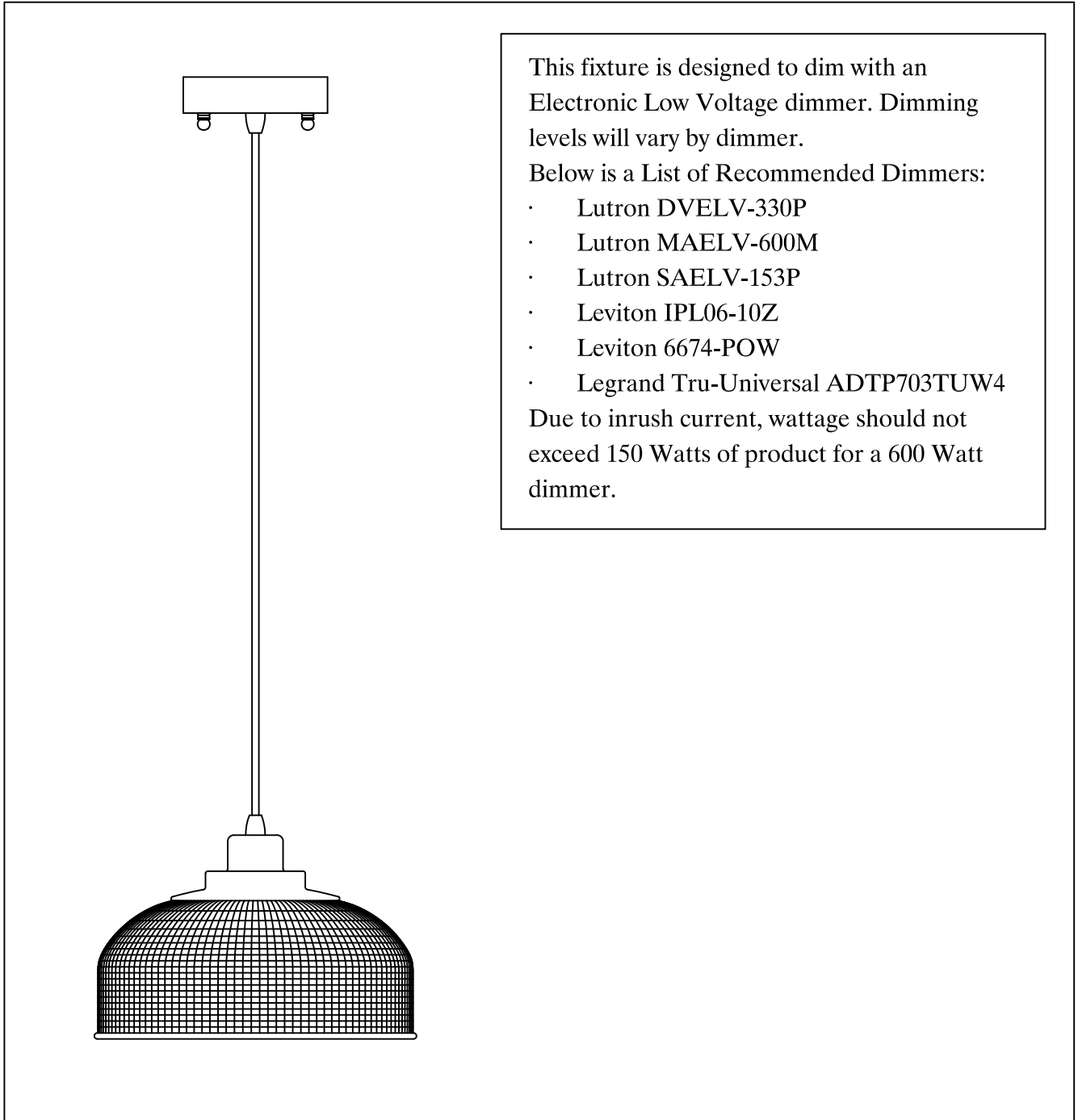




PRODUCT NAME: Retro
ITEM NUMBER: 25195CLPN

Please consult your electrician for hanging fixture and wiring.



This fixture is designed to dim with an Electronic Low Voltage dimmer. Dimming levels will vary by dimmer.

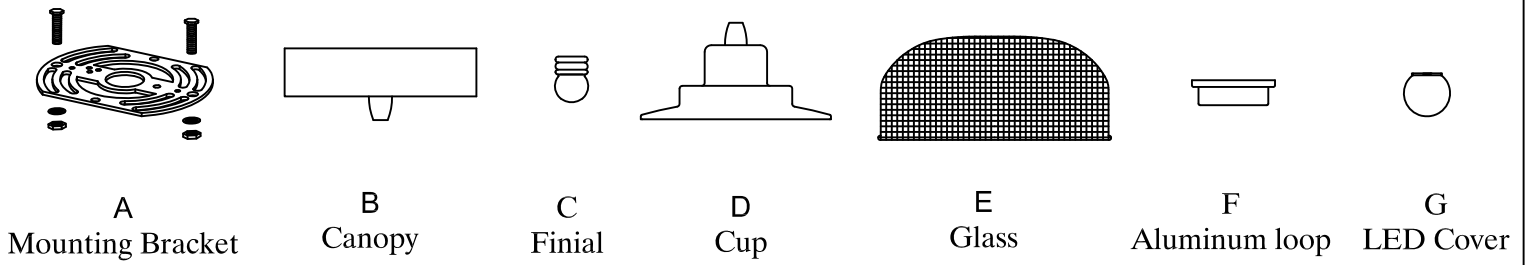
Below is a List of Recommended Dimmers:

- Lutron DVELV-330P
- Lutron MAELV-600M
- Lutron SAELV-153P
- Leviton IPL06-10Z
- Leviton 6674-POW
- Legrand Tru-Universal ADTP703TUW4

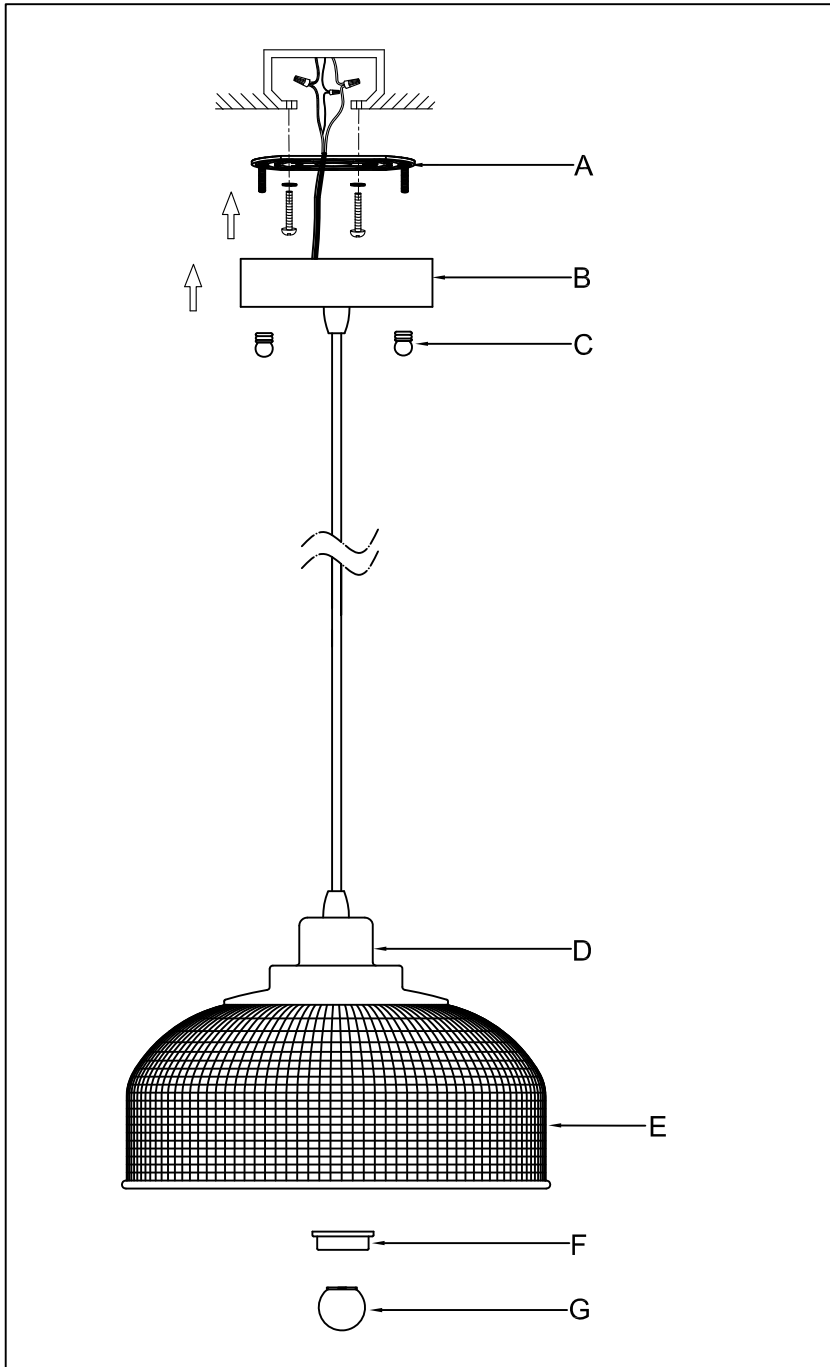
Due to inrush current, wattage should not exceed 150 Watts of product for a 600 Watt dimmer.

8W LED

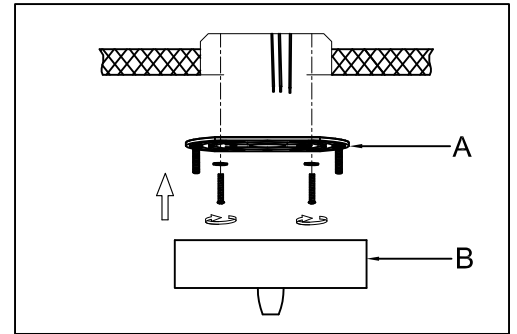
IMPORTANT: Turn off the power at the main fuse or circuit breaker box before starting installation



Locate all hardware & components before discarding packaging

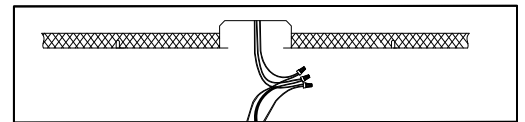


1.)



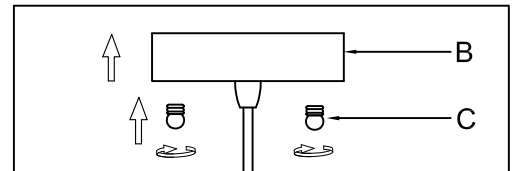
Step 1: Remove mounting bracket (A) from canopy (B) and install to electrical box.

2.)



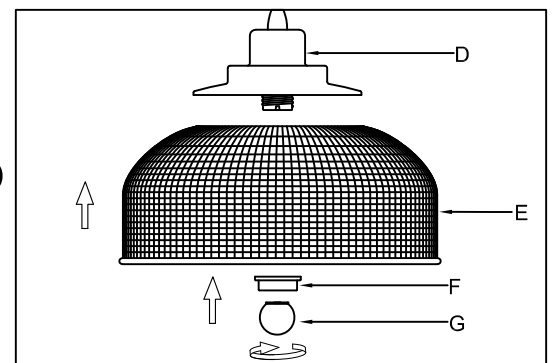
Step 2: Wire fixtures to wires in outlet box. Green wire is ground.

3.)



Step 3: Adjust wire length to desired mounting height and tighten strain relief screws to secure. Install canopy (B) to bracket using finials (C) to secure.

4.)



Step 4: Insert glass (E) into cup (D) and secure using Aluminum loop (F) provided, At last Screw (G) to the lamp holder.

Cleaning & Care:

Clean with soft cloth and a mild detergent.
Do not use abrasive cleaner.