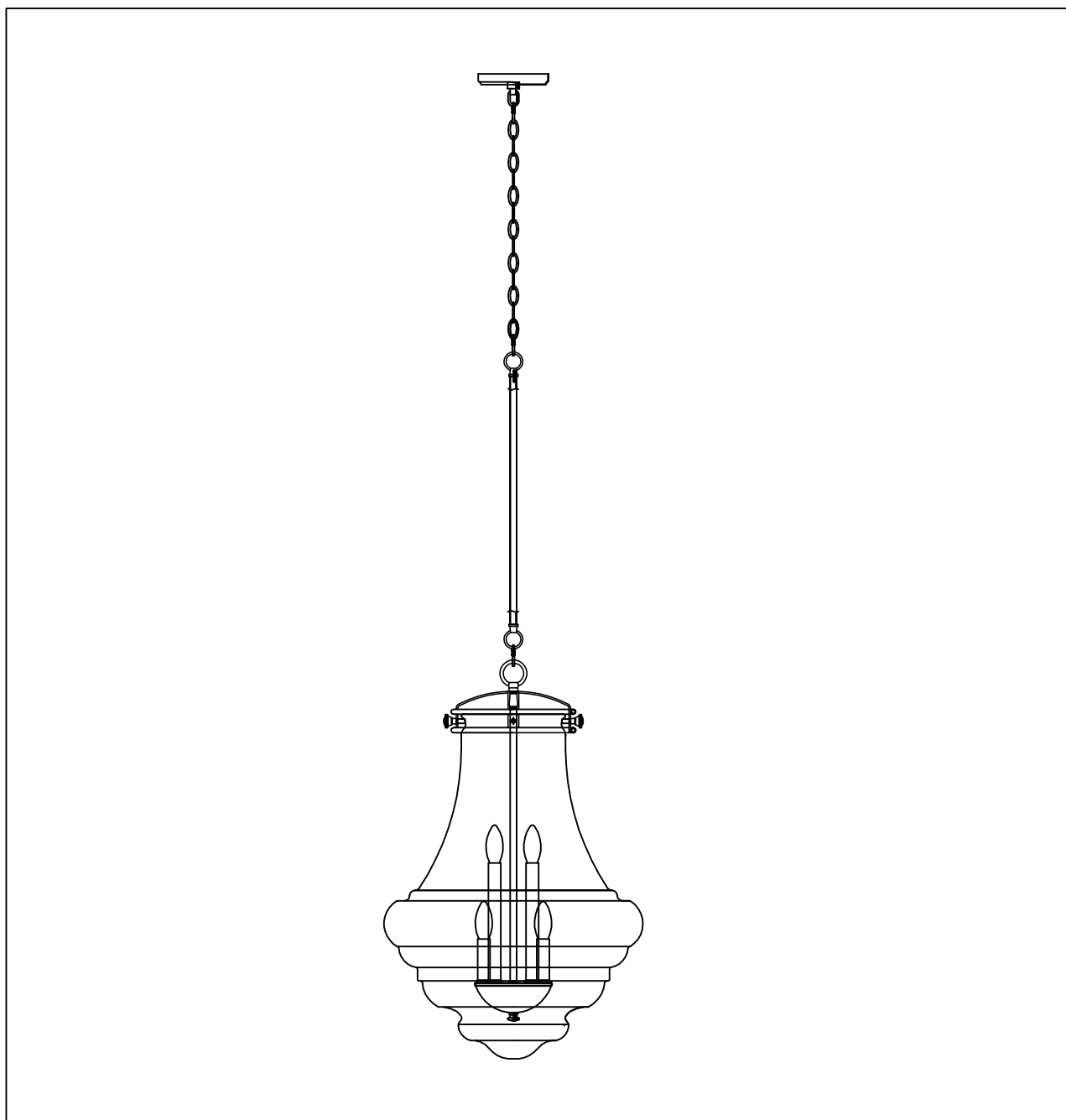




**PRODUCT NAME: Retro**  
**ITEM NUMBER: 25189**

**Please consult your electrician for hanging fixture and wiring.**



**Bulb(not included) :6\*CA 60W**

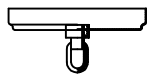
**PRODUCTS ARE NOT INENDED  
FOR COMMERCIAL USE.**

**MADE IN CHINA**  
**Page 1 of (3)**

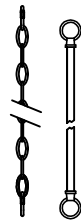
**IMPORTANT:** Turn off power at the main fuse or circuit breaker box before starting installation



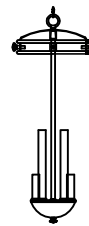
(A) Bracket



(B) Canopy

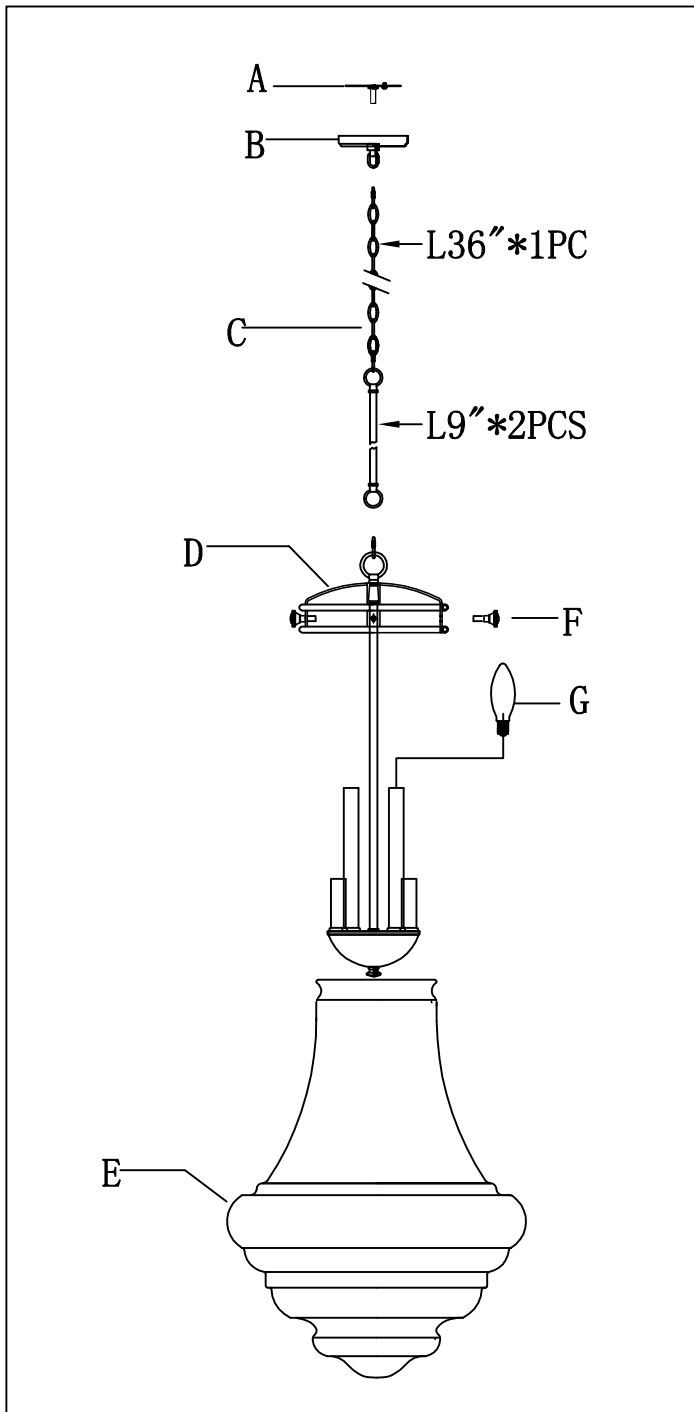


(C) Stem and Chain

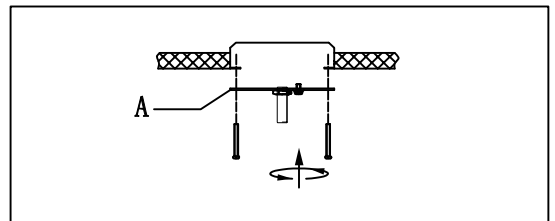


(D) Body

**Locate all hardware & components before discarding packaging**

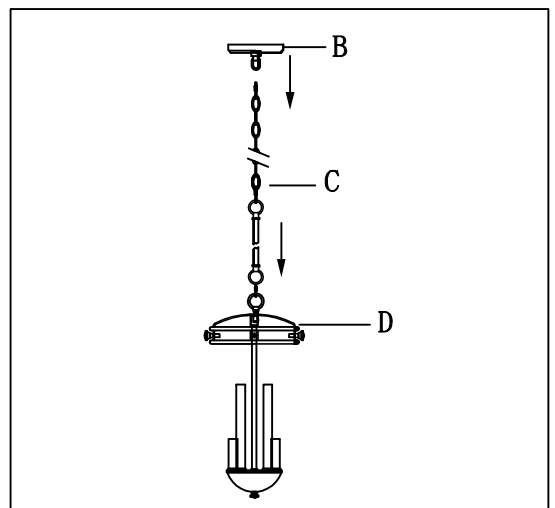


1.)



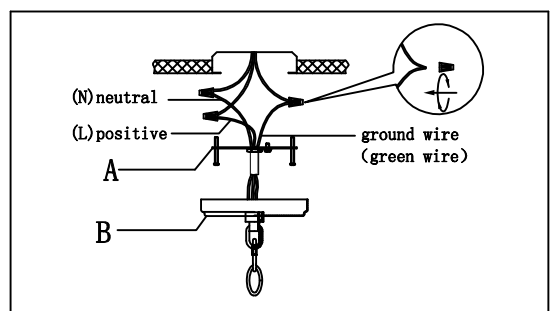
**Step. 1:** Remove mounting bracket(A) from fixture and install to electrical box.

2.)



**Step. 2:** Run wire through stems and Chain (C) and combine Chain lengths to meet desired mounting height.

3.)

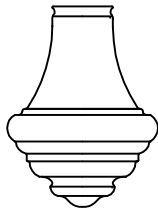


**Step. 3:** Wire fixture to wires in outlet box. Copper/Green wire is for Ground.

**Cleaning & Care:**

Clean with soft cloth and a mild detergent. Do not use abrasive cleaner.

**IMPORTANT:** Turn off power at the main fuse or circuit breaker box before starting installation



(E) Shade

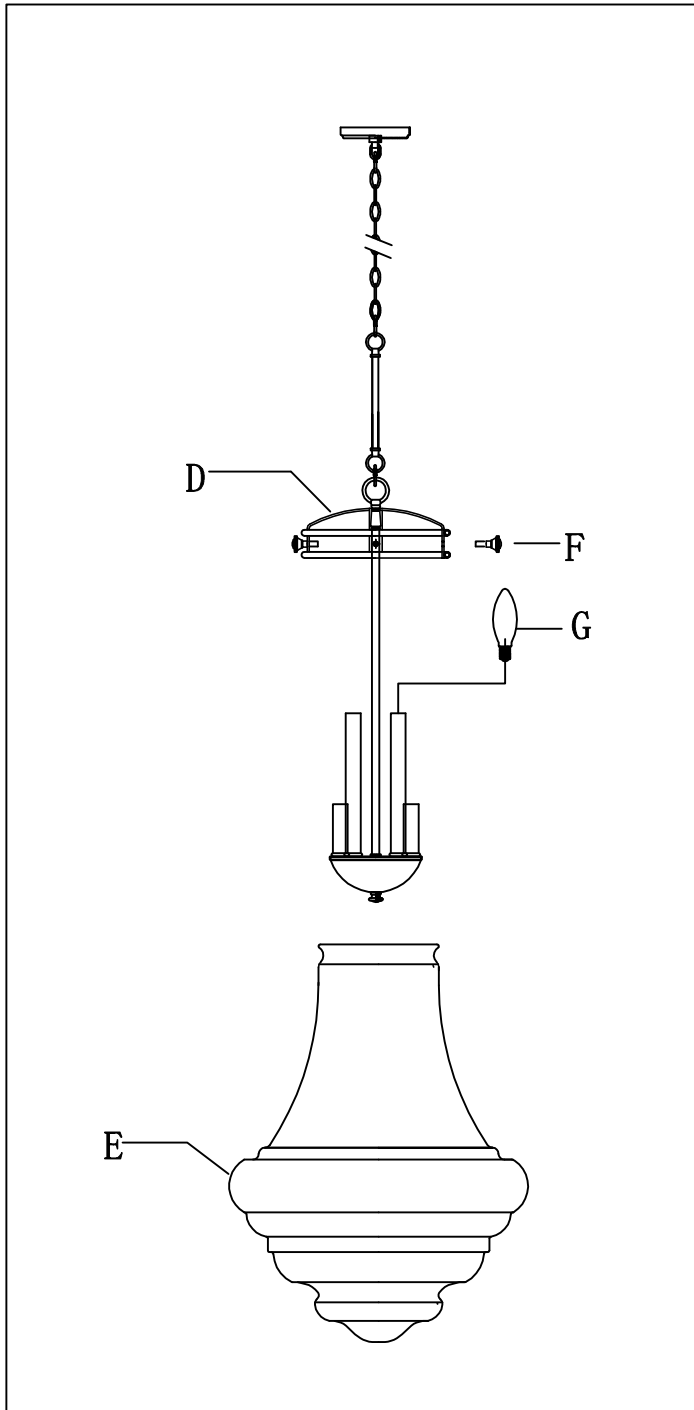


(F) Lock nut

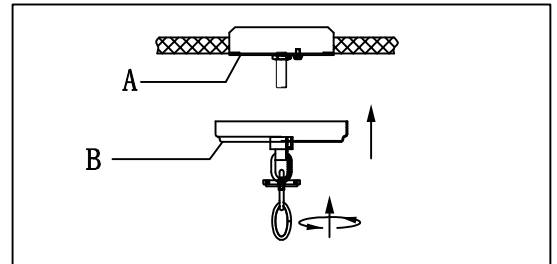


(G) Bulb

**Locate all hardware & components before discarding packaging**

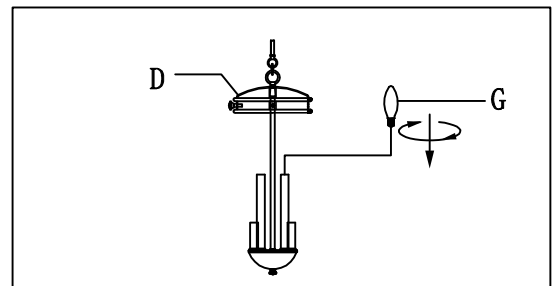


4.)



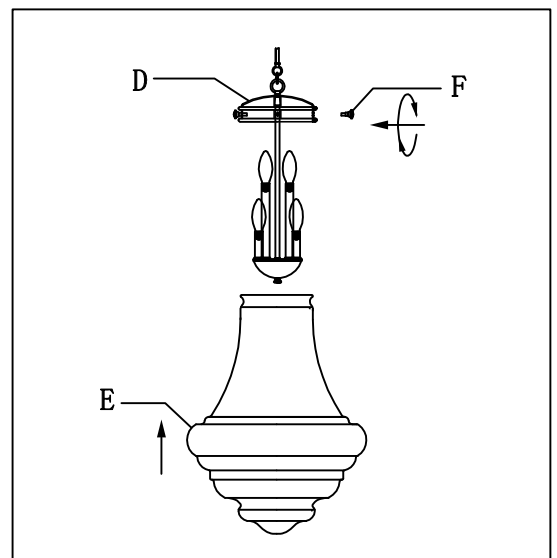
**Step. 4:** Install fixture to bracket and tighten screws at the ends of the canopy (B) to secure.

5.)



**Step. 5:** Install the bulb

6.)



**Step. 6:** Use lock screws (F) to secure glass (E) to fixture.

**Cleaning & Care:**  
Clean with soft cloth and a mild detergent.  
Do not use abrasive cleaner.