



PRODUCT NAME: Retro
ITEM NUMBER: 25188

Please consult your electrician for hanging fixture and wiring.



Bulb(not included) :4*MB 60W

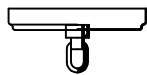
**PRODUCTS ARE NOT INENDED
FOR COMMERCIAL USE.**

MADE IN CHINA
Page 1 of (3)

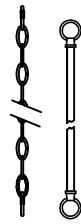
IMPORTANT: Turn off power at the main fuse or circuit breaker box before starting installation



(A) Bracket



(B) Canopy

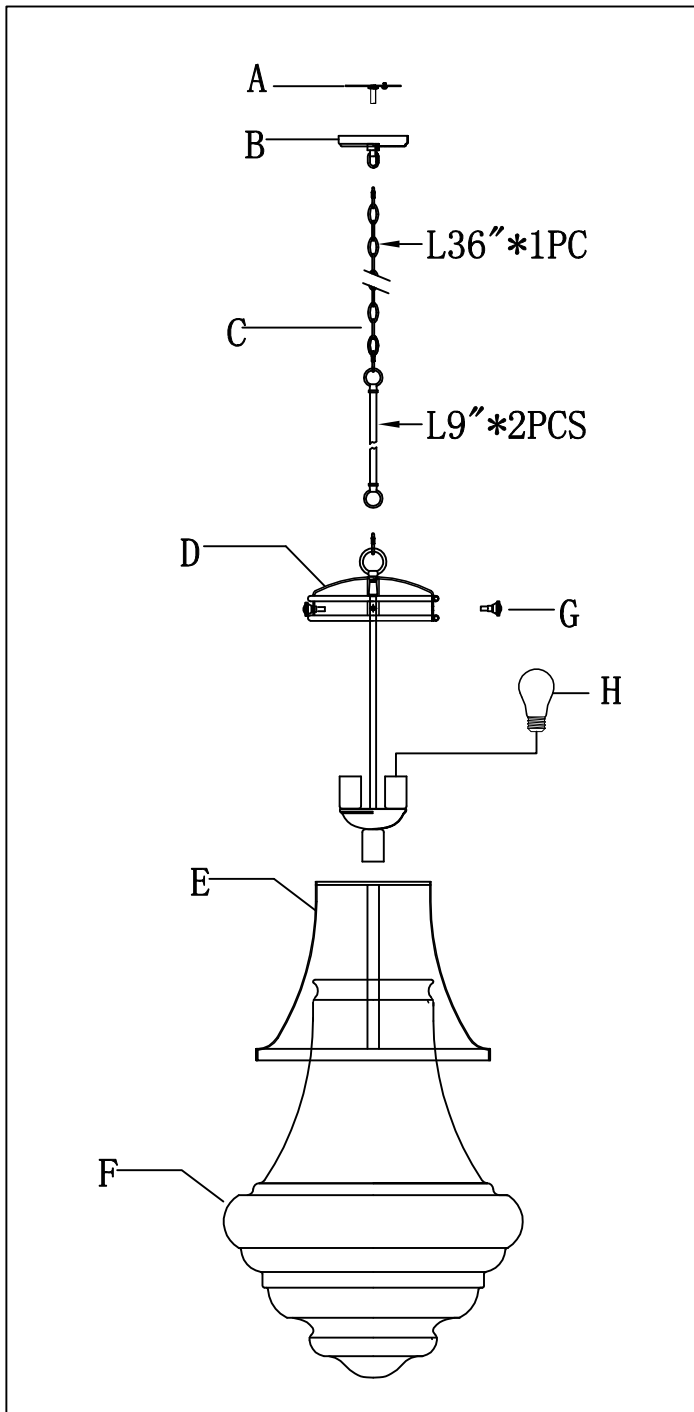


(C) Stem and Chain

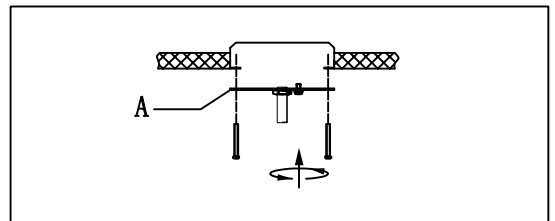


(D) Body

Locate all hardware & components before discarding packaging

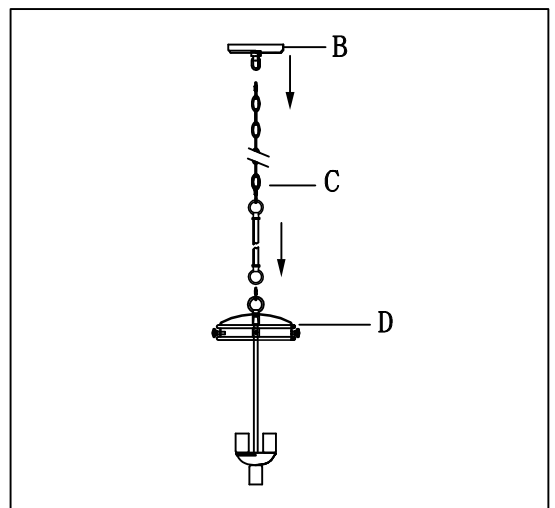


1.)



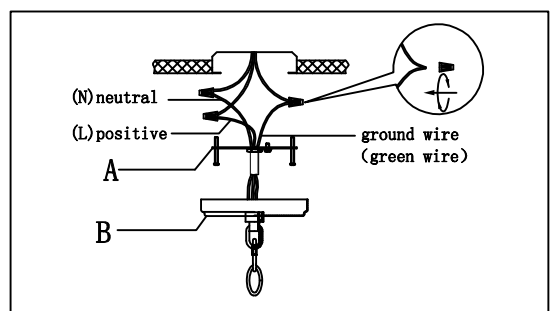
Step. 1: Remove mounting bracket(A) from fixture and install to electrical box.

2.)



Step. 2: Run wire through stems and Chain (C) and combine Chain lengths to meet desired mounting height.

3.)

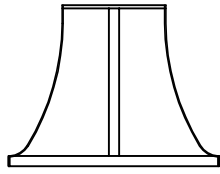


Step. 3: Wire fixture to wires in outlet box. Copper/Green wire is for Ground.

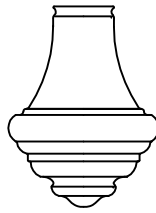
Cleaning & Care:

Clean with soft cloth and a mild detergent. Do not use abrasive cleaner.

IMPORTANT: Turn off power at the main fuse or circuit breaker box before starting installation



(E) Part of Shade



(F) Shade

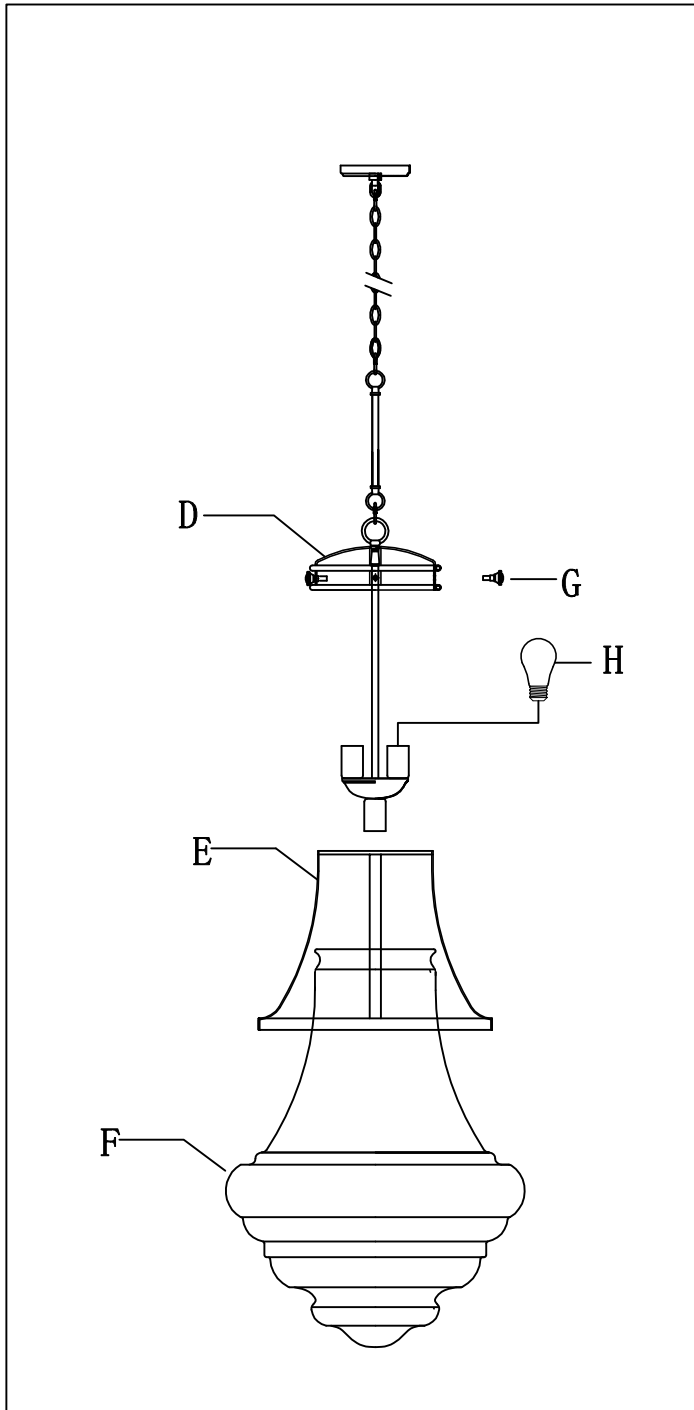


(G) Lock nut

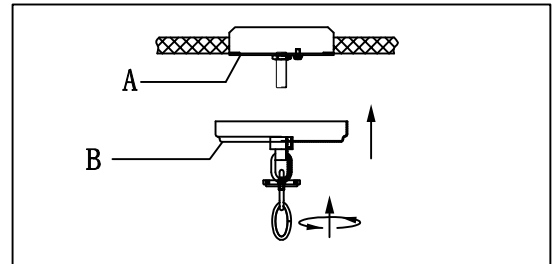


(H) Bulb

Locate all hardware & components before discarding packaging

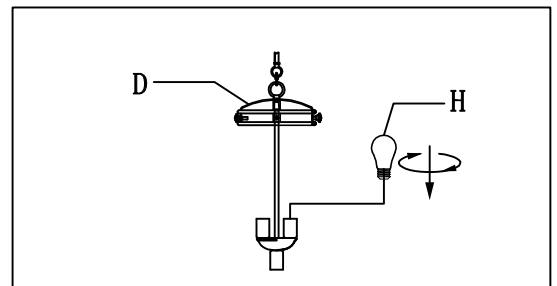


4.)



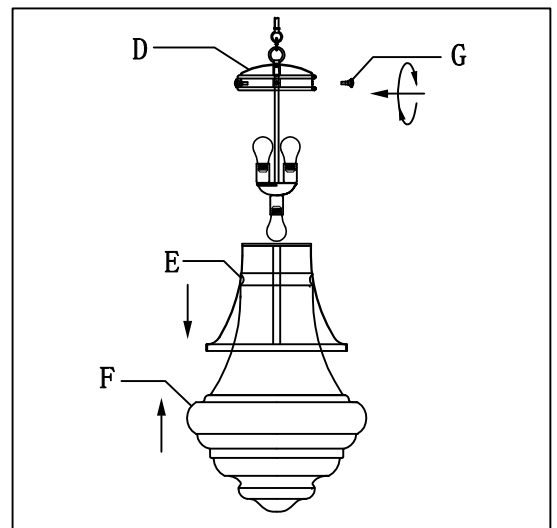
Step. 4: Install fixture to bracket and tighten screws at the ends of the canopy (B) to secure.

5.)



Step. 5: Install the bulb

6.)



Step. 6: Attach optional decorative frame (E) and use lock screws (G) to secure glass (F) to fixture.

Cleaning & Care:

Clean with soft cloth and a mild detergent.
Do not use abrasive cleaner.