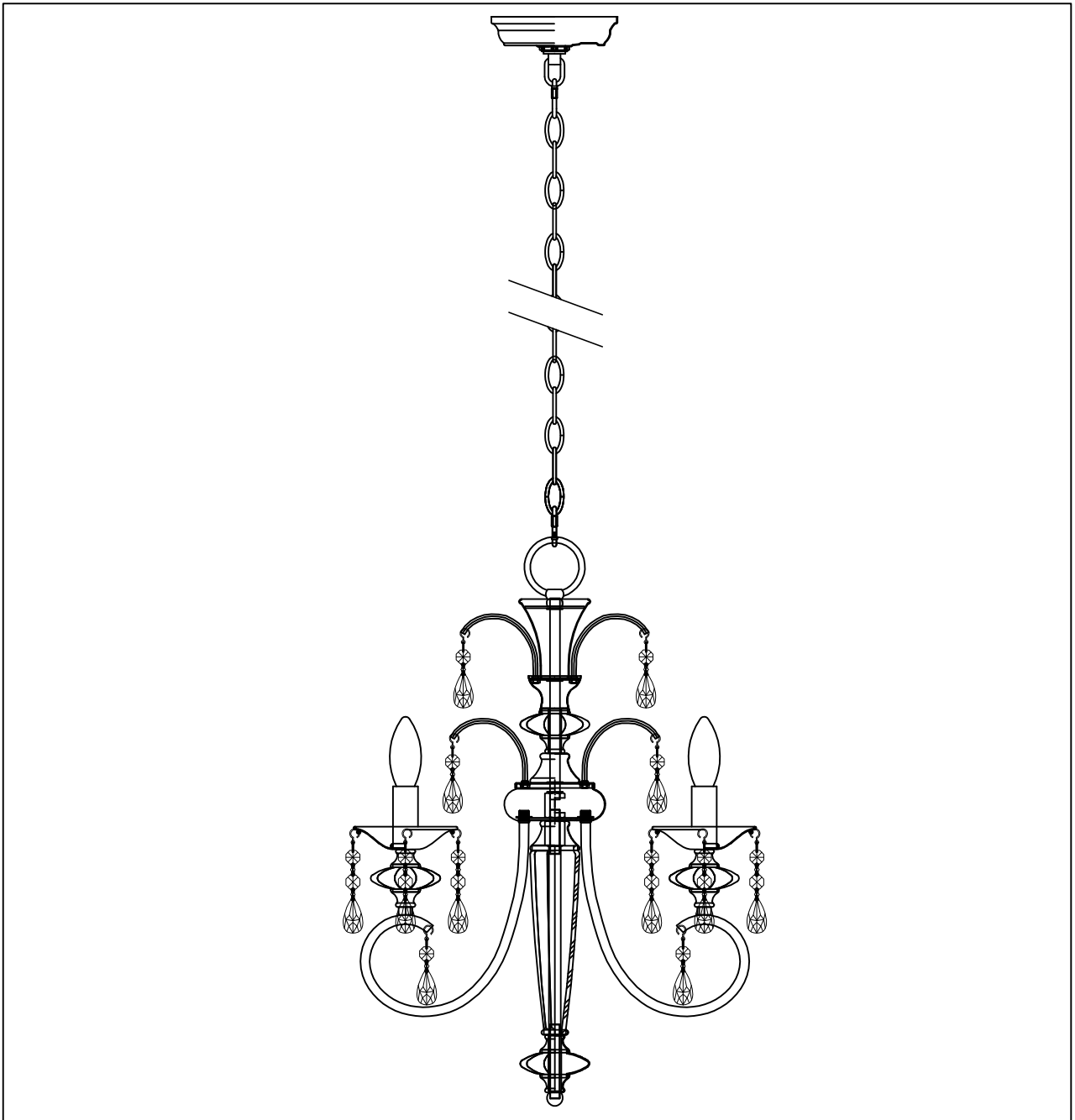




PRODUCT NAME: Montgomery
ITEM NUMBER: 24303

Please consult your electrician for Hang fixture and wiring.

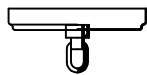


Bulb(not included) :3*CA 60W

IMPORTANT: Turn off power at the main fuse or circuit breaker box before starting installation



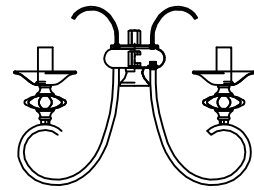
(A) Bracket



(B) Canopy

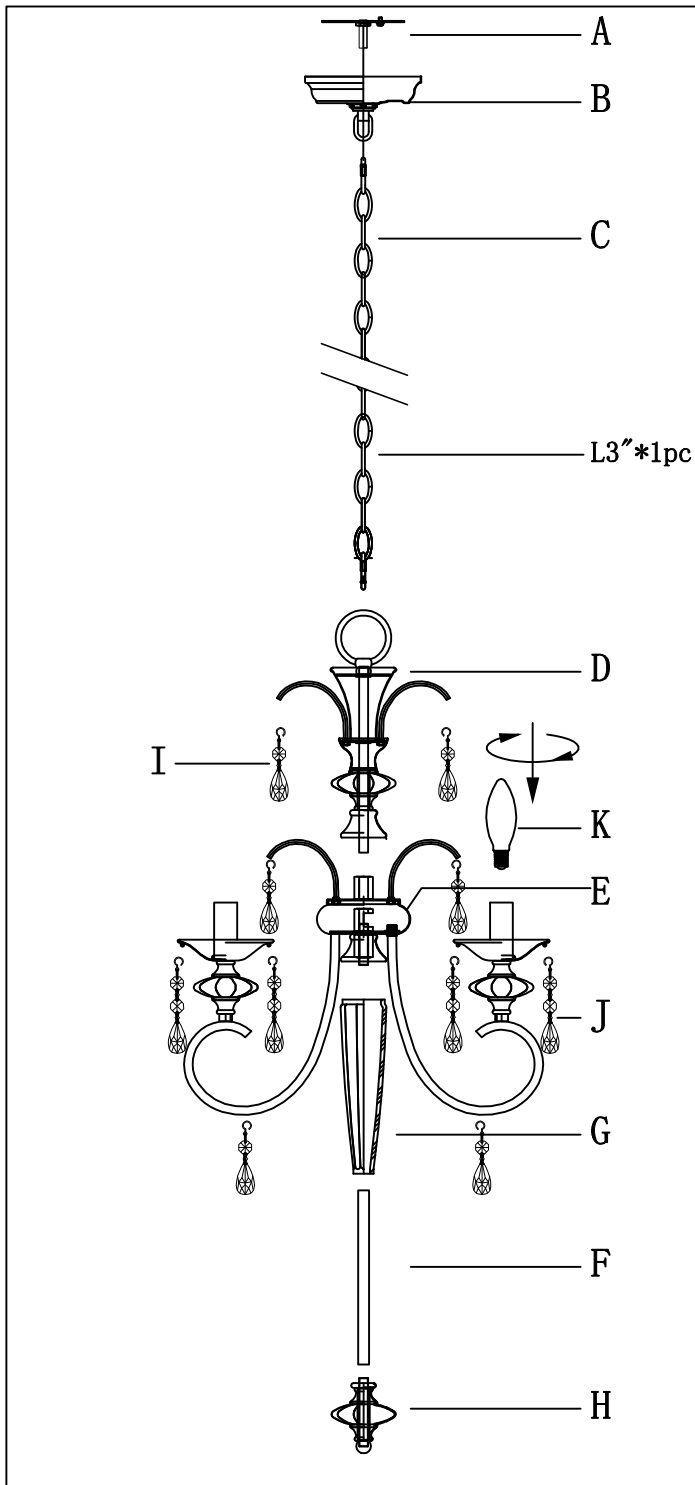


(C) Chain

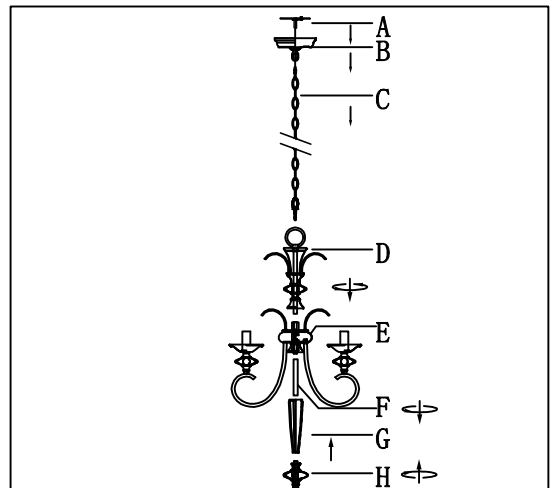


(E) Body

Locate all hardware & components before discarding packaging

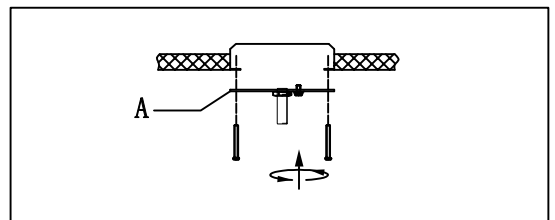


1.)



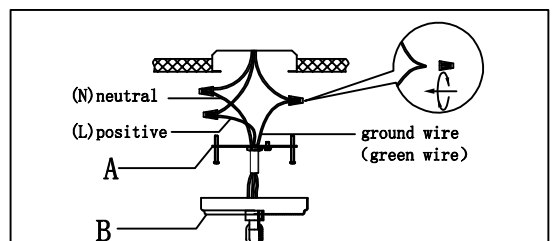
Step. 1: Attach appropriate amount of chain to loop to achieve desired mounting height. Thread wire through every 3rd loop of chain.

2.)



Step. 2: Remove mounting bracket (A) from fixture and install to electrical box.

3.)

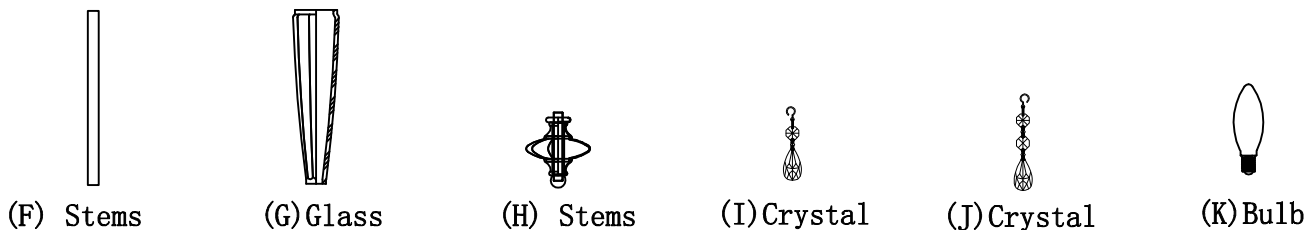


Step. 3: Remove ring from loop and slide down chain. Place canopy onto chain and let slide to top of fixture. Install nipple and cross bar into top of chain loop. Wire fixture to wires in outlet box. Copper wire is for Ground.

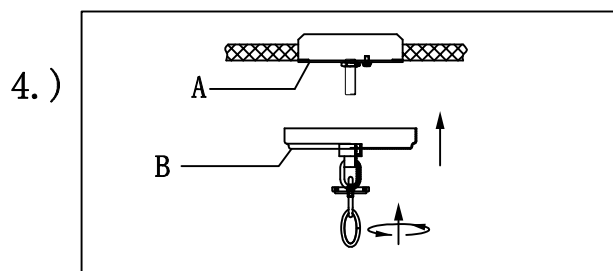
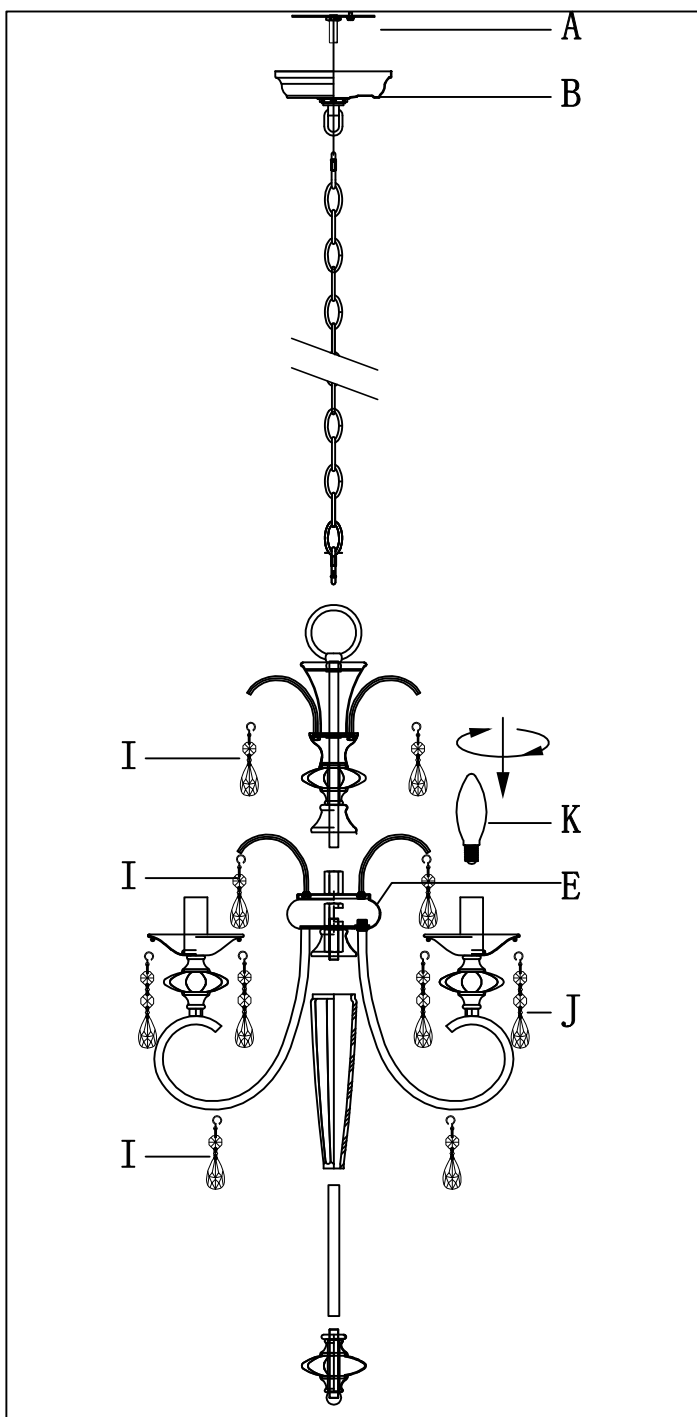
Cleaning & Care:

Clean with soft cloth and a mild detergent. Do not use abrasive cleaner.

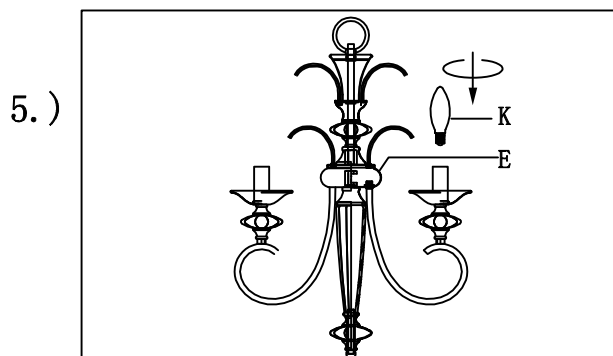
IMPORTANT: Turn off power at the main fuse or circuit breaker box before starting installation



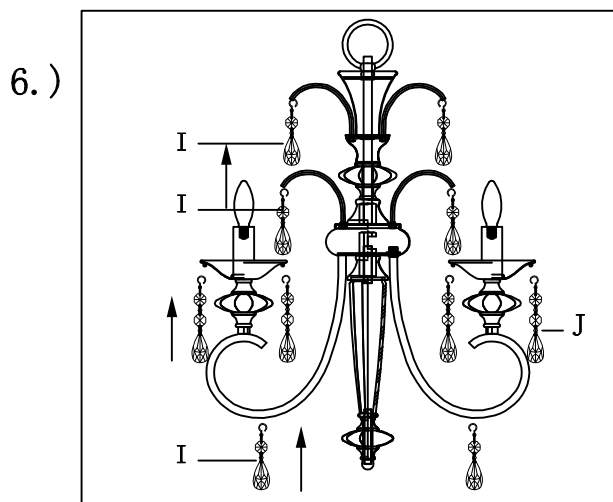
Locate all hardware & components before discarding packaging



Step. 4: Pull canopy through screw ring up chian to ceiling to and tighten scurely.



Step. 5: Install the bulb



Step. 6: Hang the crystal(I+J) on lamp body(E)

Cleaning & Care:

Clean with soft cloth and a mild detergent. Do not use abrasive cleaner.

Cleaning & Care:

Clean with soft cloth and a mild detergent. Do not use abrasive cleaner.