



PRODUCT NAME: Arabesque
ITEM NUMBER: 24158

Please consult your electrician for Hang fixture and wiring.



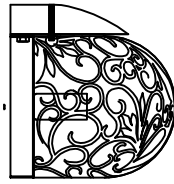
Warnings:
G4 and G9 Xenon Bulbs
Caution: Xenon Bulbs get very hot
and may burn you. Always make
sure bulbs are off for a minimum of
10 minutes before handling. Fixture
may be dimmed using an electronic
low voltage dimmer.

Bulb(included) : 40W G9 Xenon Clear

IMPORTANT: Turn off power at the main fuse or circuit breaker box before starting installation



(A) Bracket



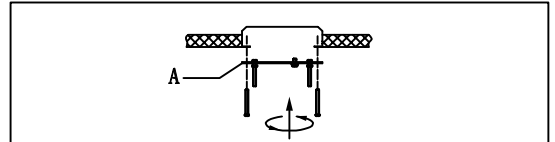
(B) Body



(C) Ball nut

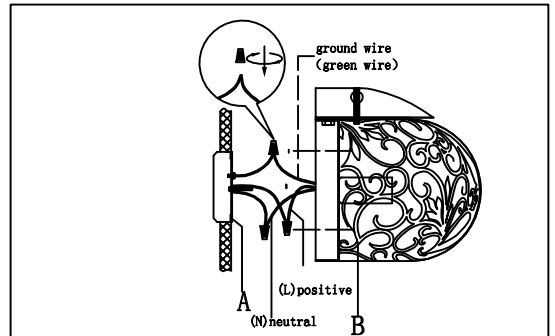
Locate all hardware & components before discarding packaging

1.)



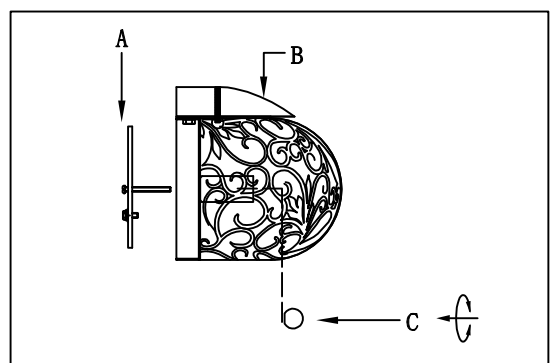
Remove mounting bracket(A) from fixture and install to electrical box.

2.)



Step. 2: Wire fixture to wires in outlet box. Copper/Green wire is for Ground.

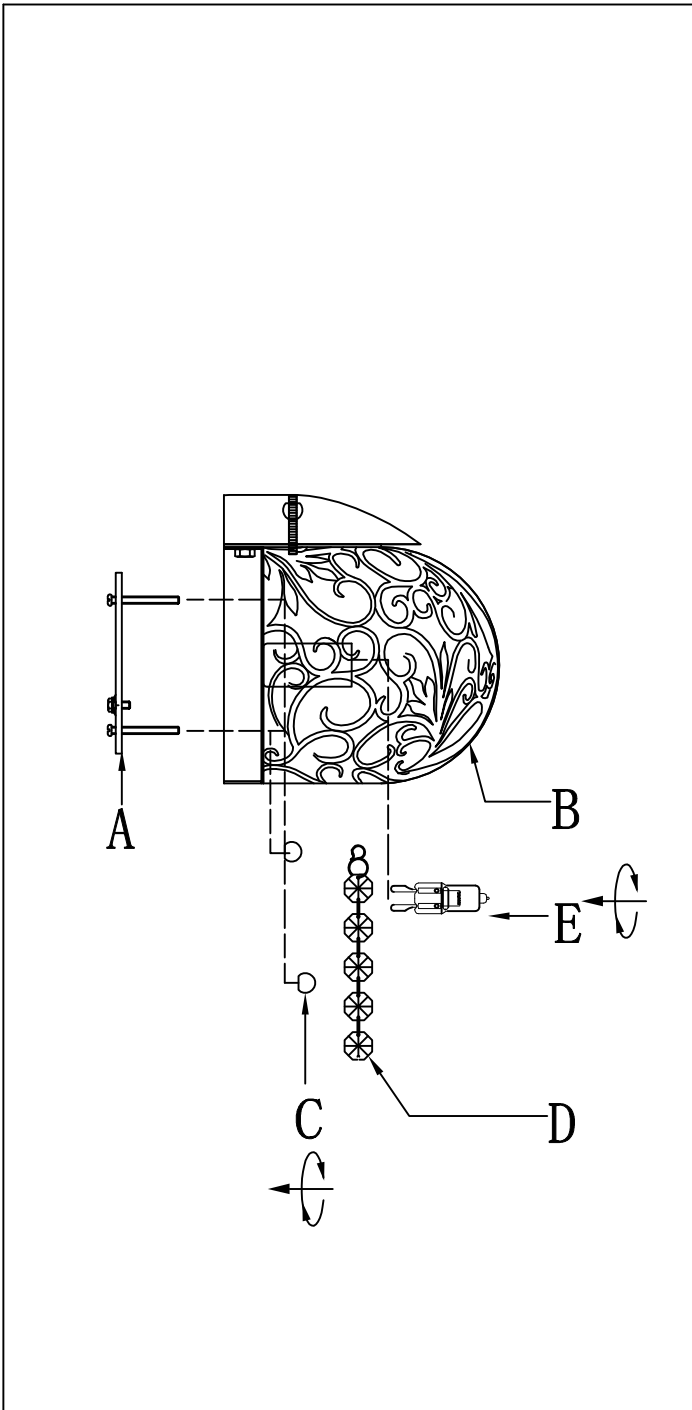
3.)



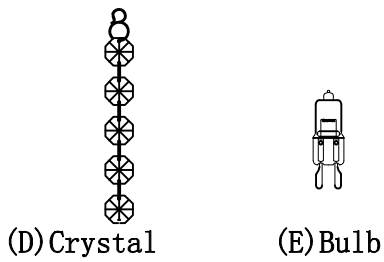
Step. 3: Install fixture to bracket(A) and tighten ball nuts (C) on the backplate to secure.

Cleaning & Care:

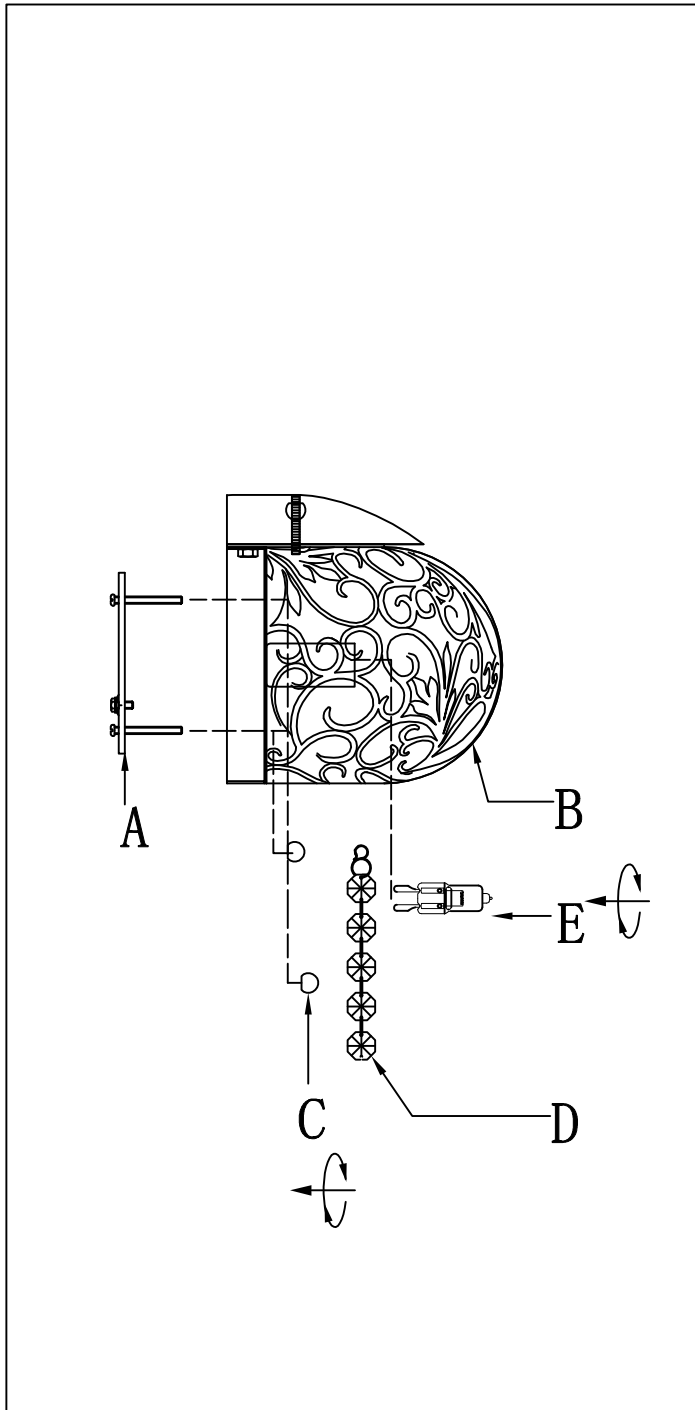
Clean with soft cloth and a mild detergent. Do not use abrasive cleaner.



IMPORTANT: Turn off power at the main fuse or circuit breaker box before starting installation

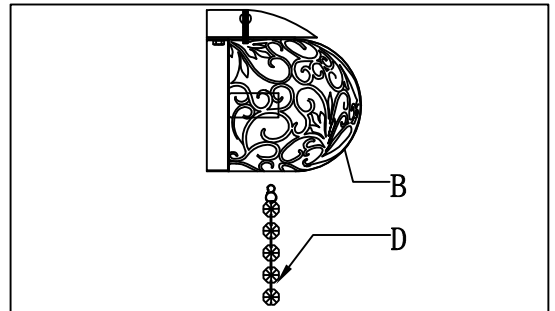


Locate all hardware & components before discarding packaging



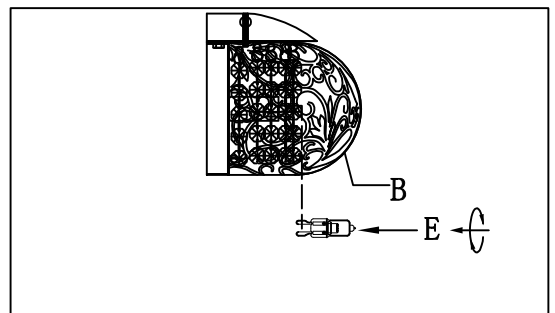
Fixture can only be installed down.

5.)



Step. 5: Hang the crystal(D)
on lamp body(B)

6.)



Step. 6: Install the bulb

Cleaning & Care:

Clean with soft cloth and a mild detergent.
Do not use abrasive cleaner.