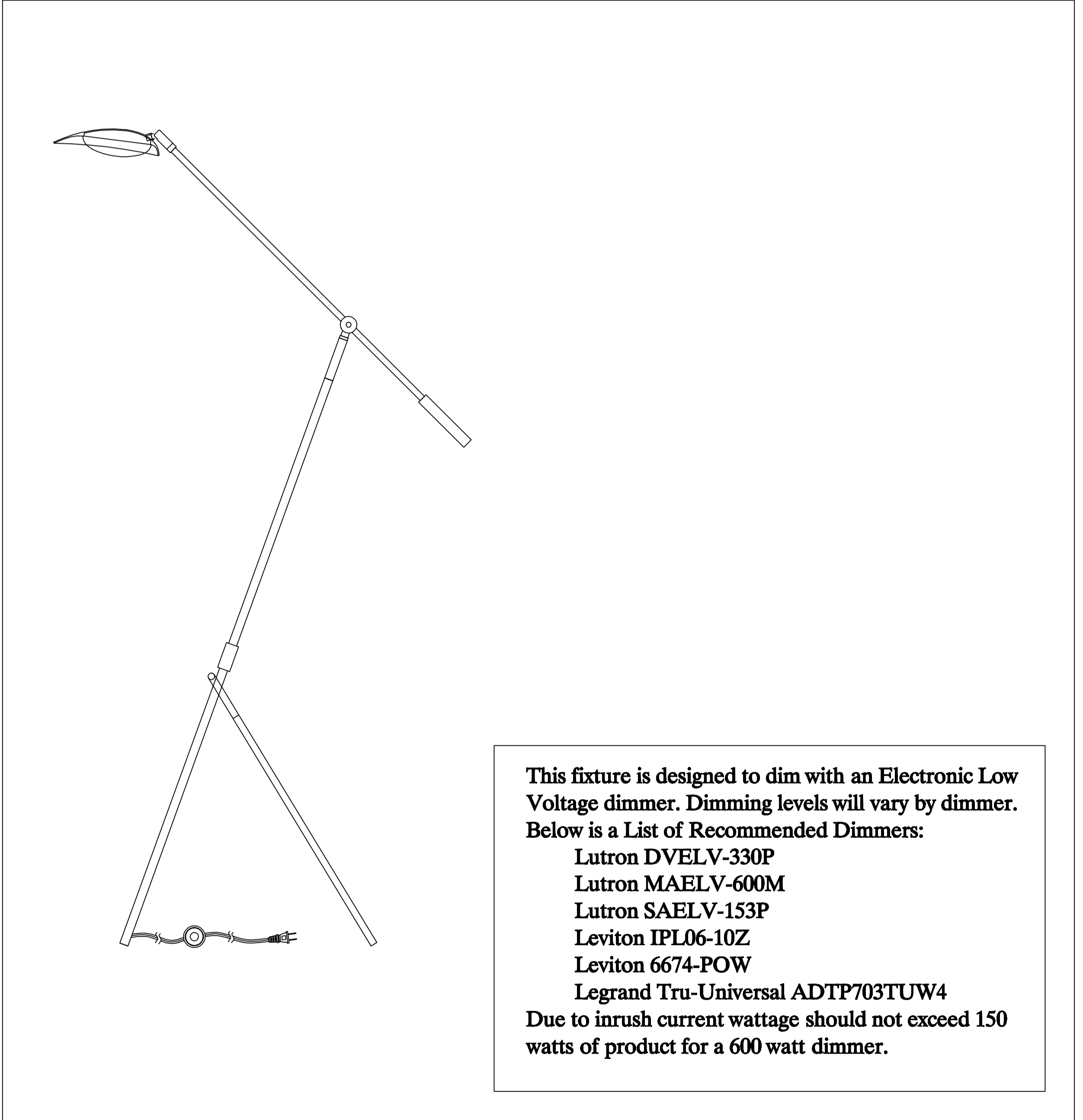




PRODUCT NAME: Scan
ITEM NUMBER: 21694BKSBR

Please consult your electrician for hanging fixture and wiring.

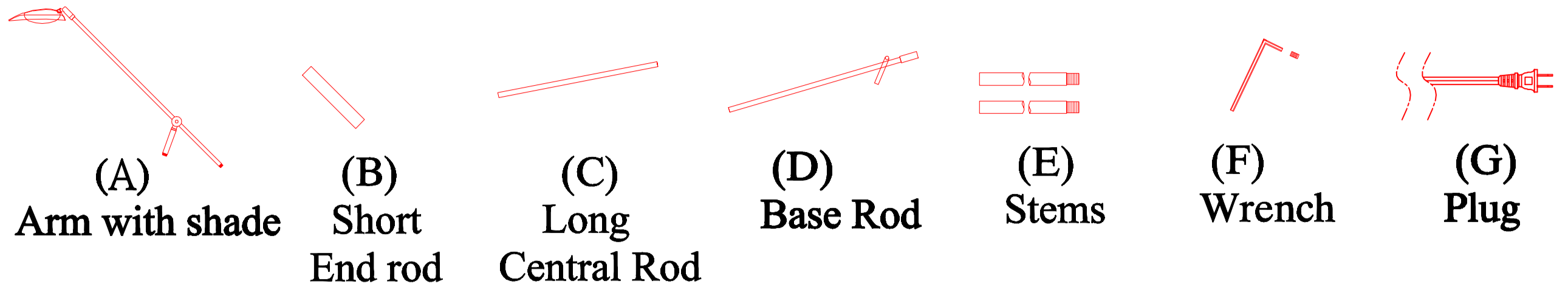


Bulbs (Included): 1*6.5Watt AC LED

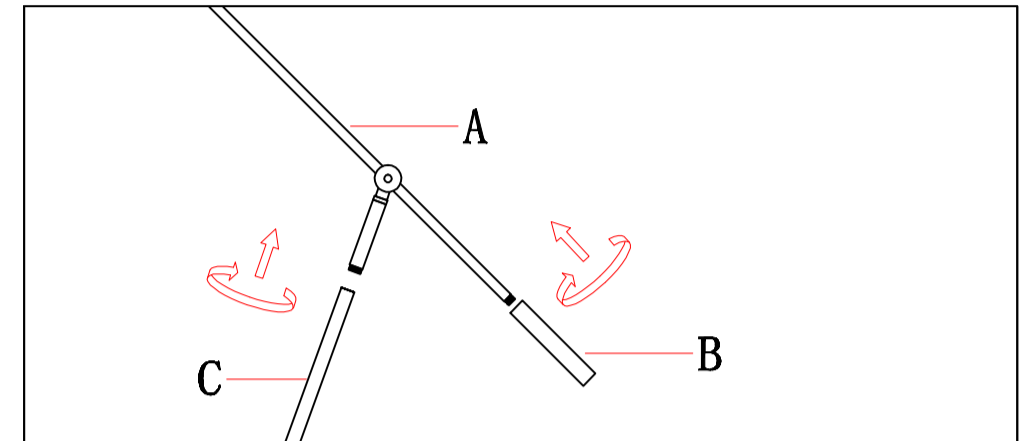
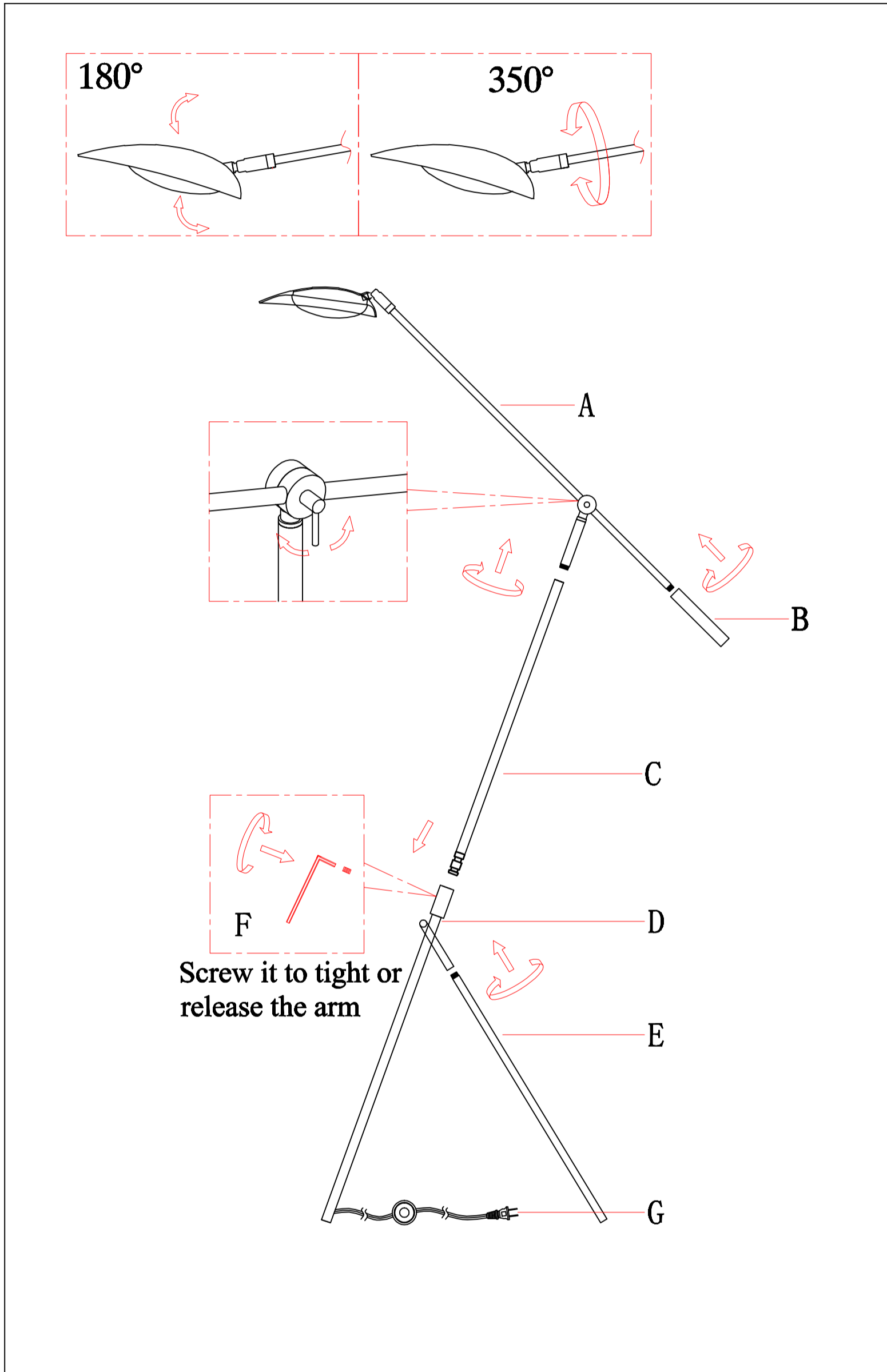
MADE IN CHINA

Page 1 of (2)

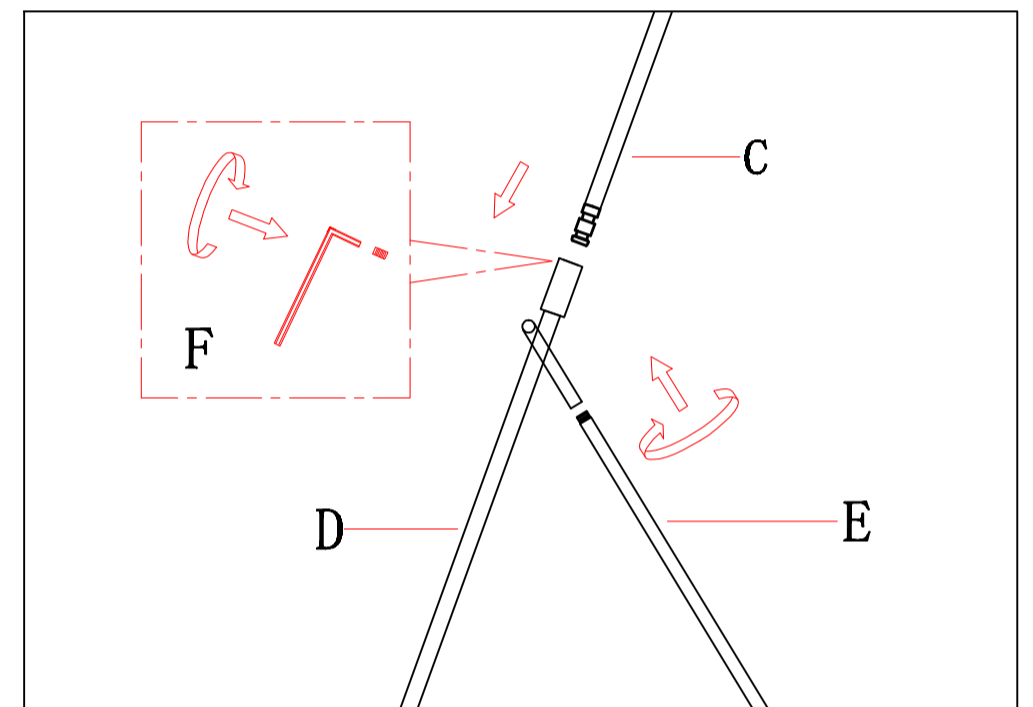
IMPORTANT: Turn off the power at the main fuse or circuit breaker box before starting installation



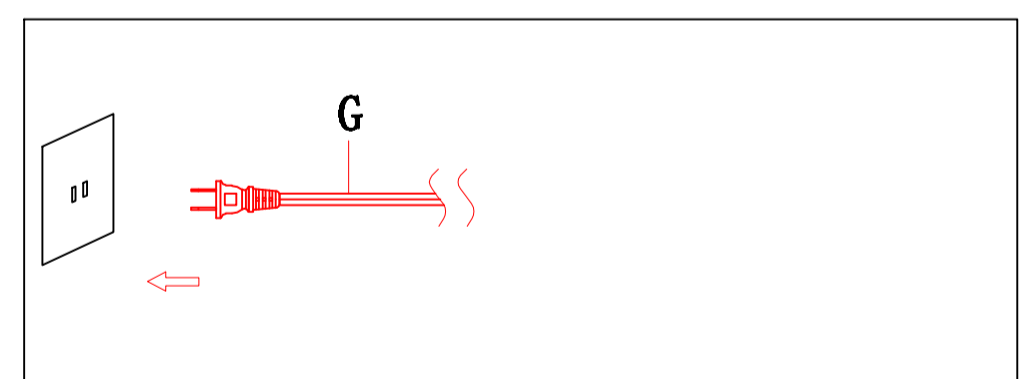
Locate all hardware & components before discarding packaging



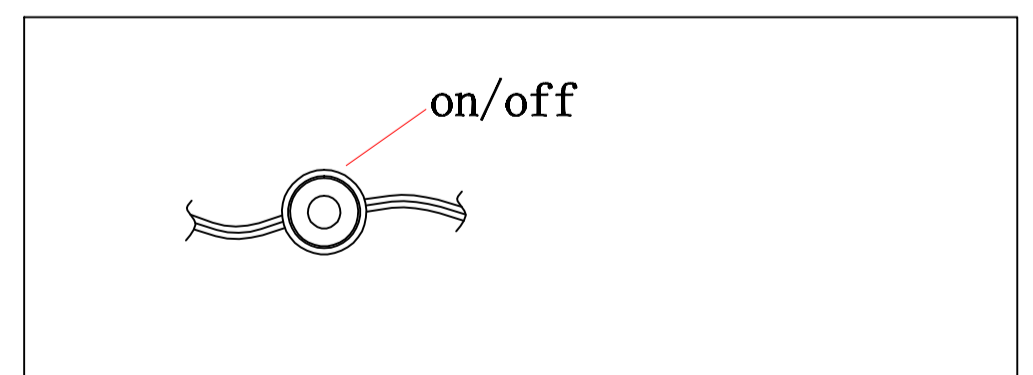
Step.1: ScREW the short end rod (B) and the long central rod (C) into the arm with shade (A).



Step.2: Attach the stem (E) with the Base rod (D), and then screw this part into the long central rod (C). Screw the wrench (F) to tight or release the central rods (C), adjust the lamp arms to the desired position.



Step.3: Plug in the fixture (G).



Step.4: Turn on the fixture using the step switch.

Cleaning & Care:

Clean with soft cloth and a mild detergent.
Do not use abrasive cleaner.