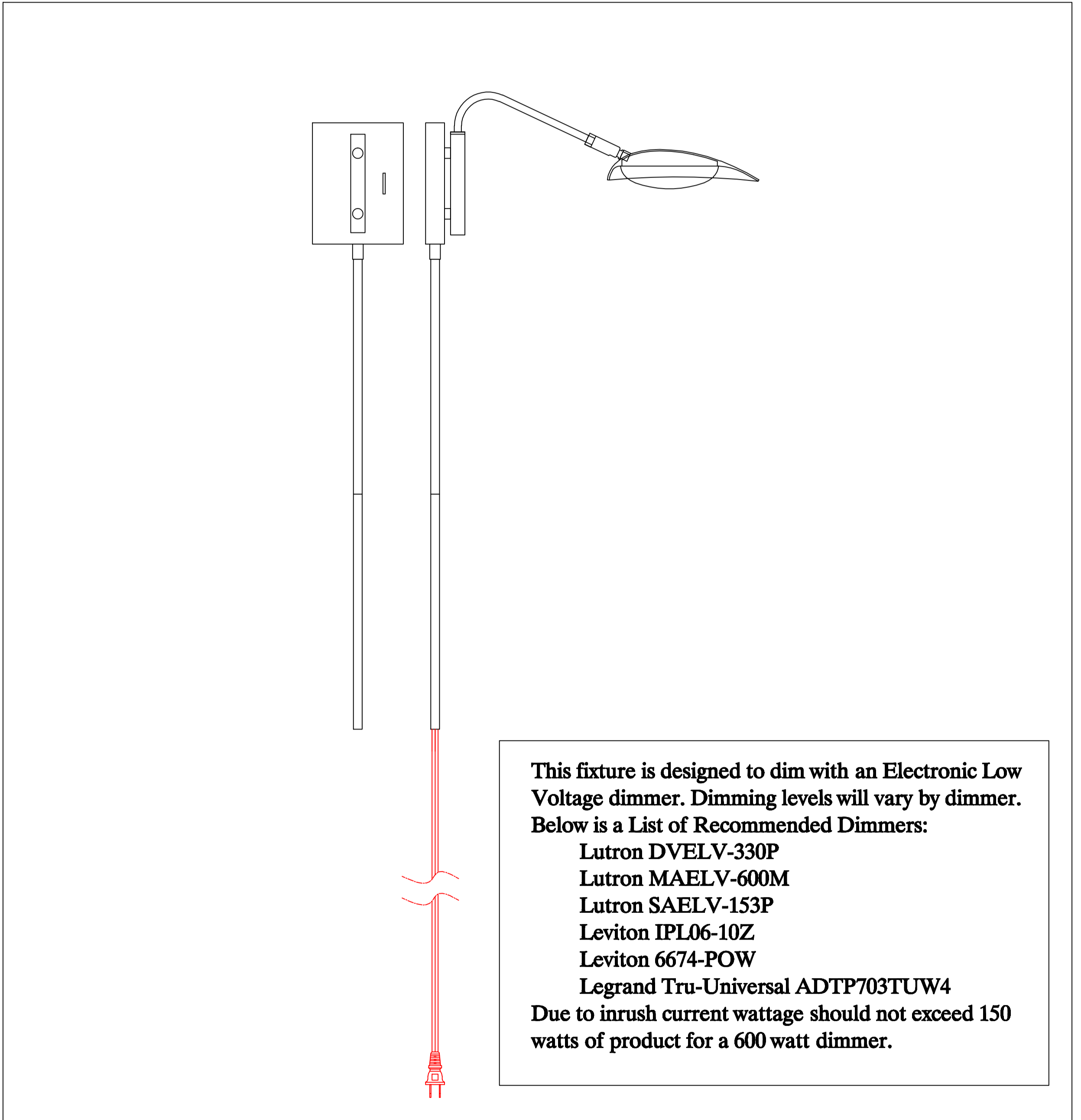




**PRODUCT NAME:** Scan  
**ITEM NUMBER:** 21691BKSBR

Please consult your electrician for hanging fixture and wiring.



This fixture is designed to dim with an Electronic Low Voltage dimmer. Dimming levels will vary by dimmer.

Below is a List of Recommended Dimmers:

Lutron DVELV-330P

Lutron MAELV-600M

Lutron SAELV-153P

Leviton IPL06-10Z

Leviton 6674-POW

Legrand Tru-Universal ADTP703TUW4

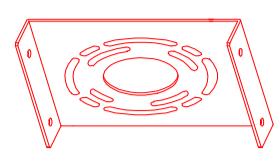
Due to inrush current wattage should not exceed 150 watts of product for a 600 watt dimmer.

**Bulbs (Included): 1\*6.5Watt AC LED**

MADE IN CHINA

Page 1 of (2)

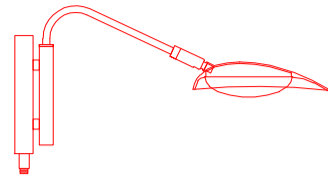
**IMPORTANT: Turn off the power at the main fuse or circuit breaker box before starting installation**



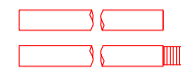
(A)  
Bracket



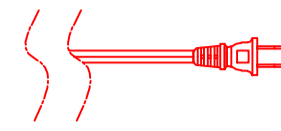
(B)  
Mounting Screw



(C)  
Fixture

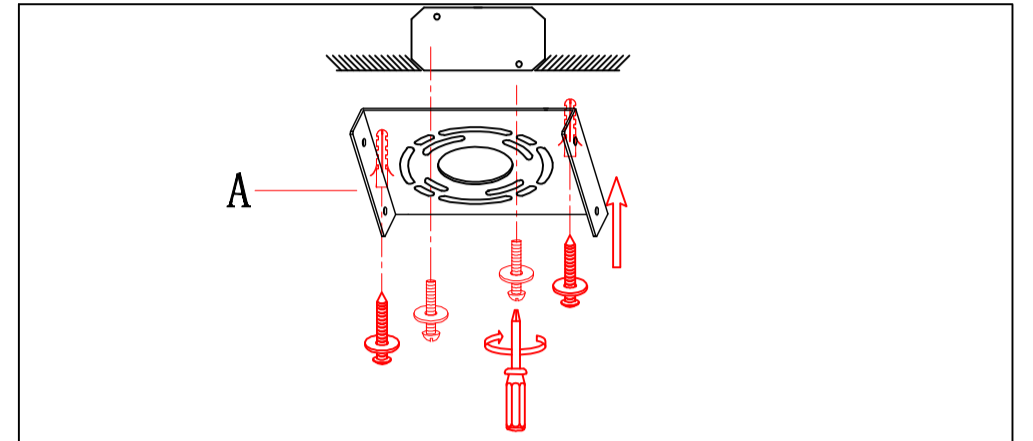
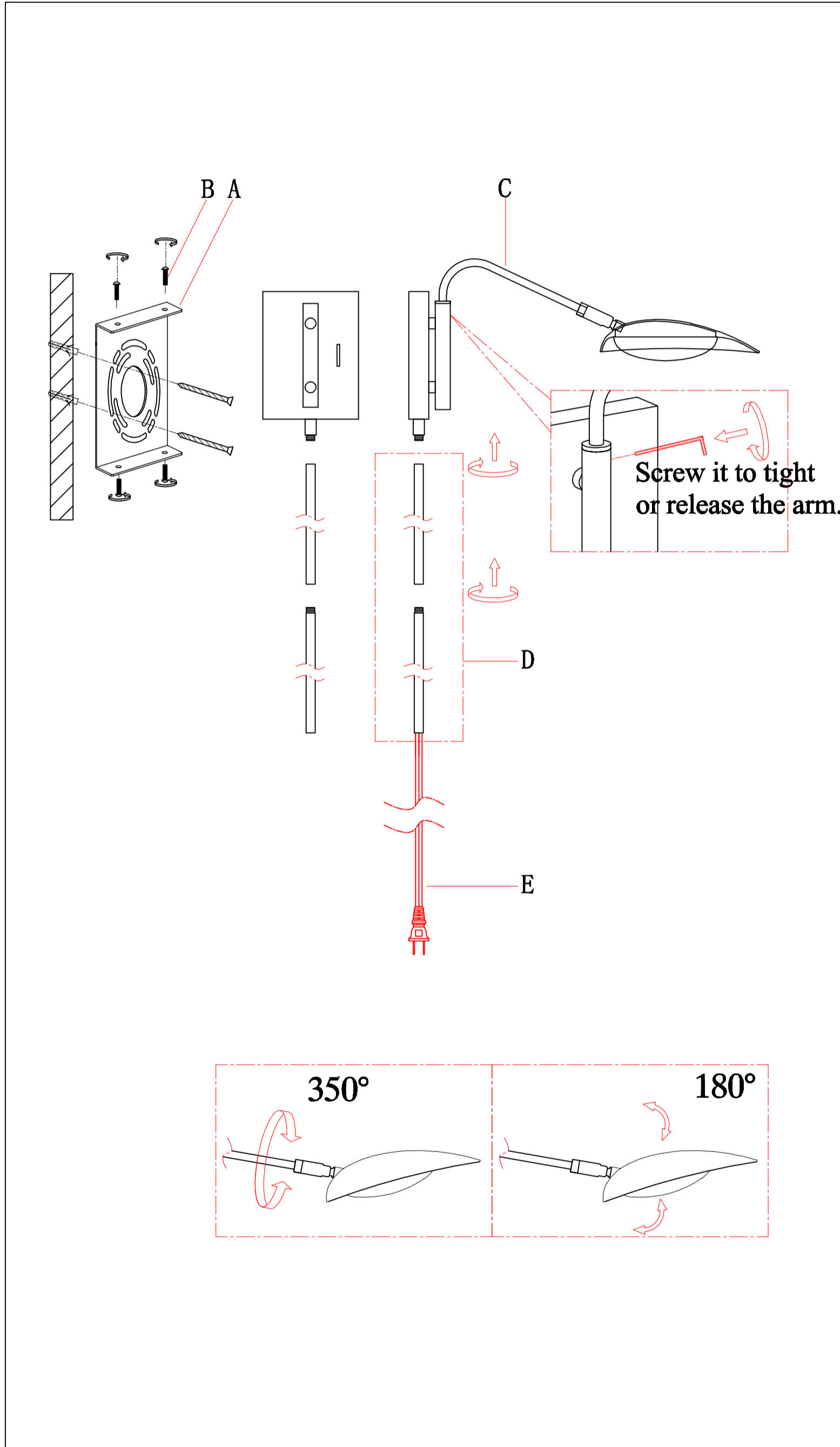


(D)  
Stems



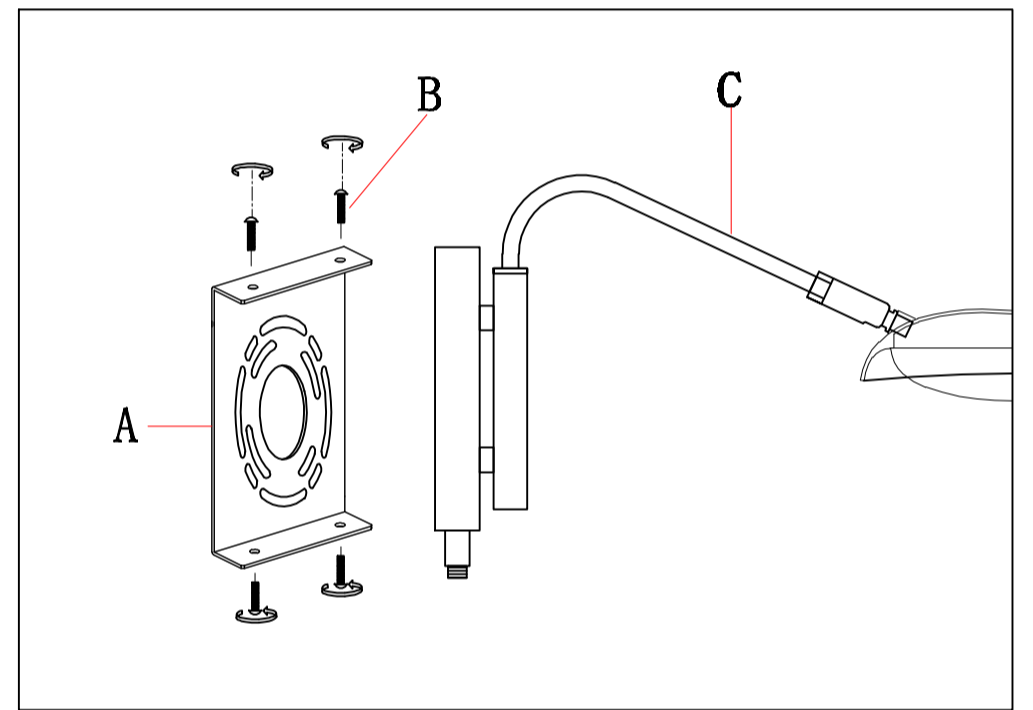
(E)  
Plug

**Locate all hardware & components before discarding packaging**



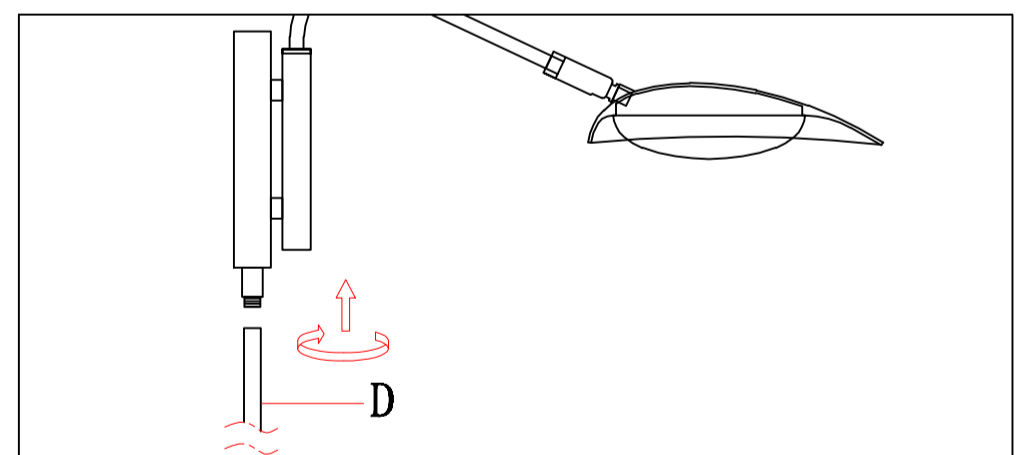
1.)

**Step.1: Turn breaker off for circuit on outlet where fixture is to be installed. Remove mounting bracket(A) from the fixture, and install to electrical box.**



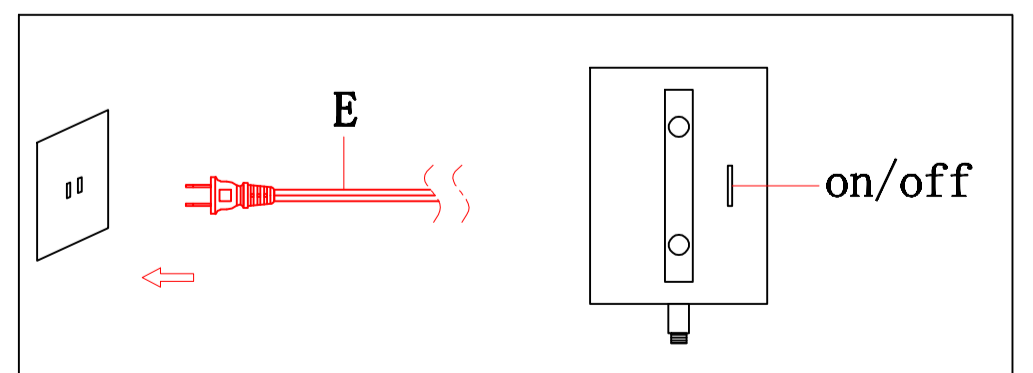
2.)

**Step.2: Secure fixture (C) to mounting bracket(A) using mounting screws(B) until the fixture is flush with the wall.**



3.)

**Step.3: Install the stems(D) at the end of canopy. And adjust(turn to right or left side) lamp arms to the desired position.**



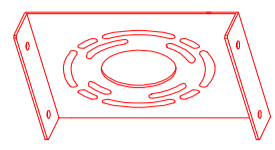
4.)

**Step.4: Plug in the fixture(E), and turn on the fixture using the tiny switch on canopy.**

**Cleaning & Care:**

Clean with soft cloth and a mild detergent.  
Do not use abrasive cleaner.

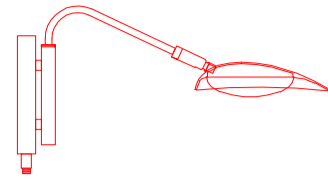
**IMPORTANT: Turn off the power at the main fuse or circuit breaker box before starting installation**



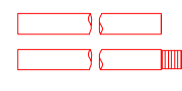
(A)  
Bracket



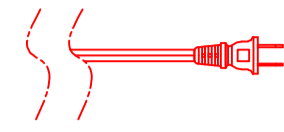
(B)  
Mounting Screw



(C)  
Fixture



(D)  
Stems

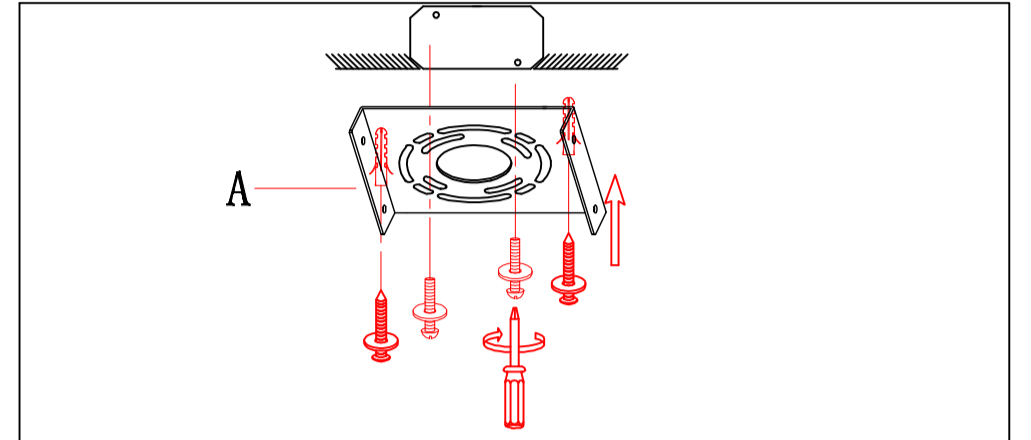
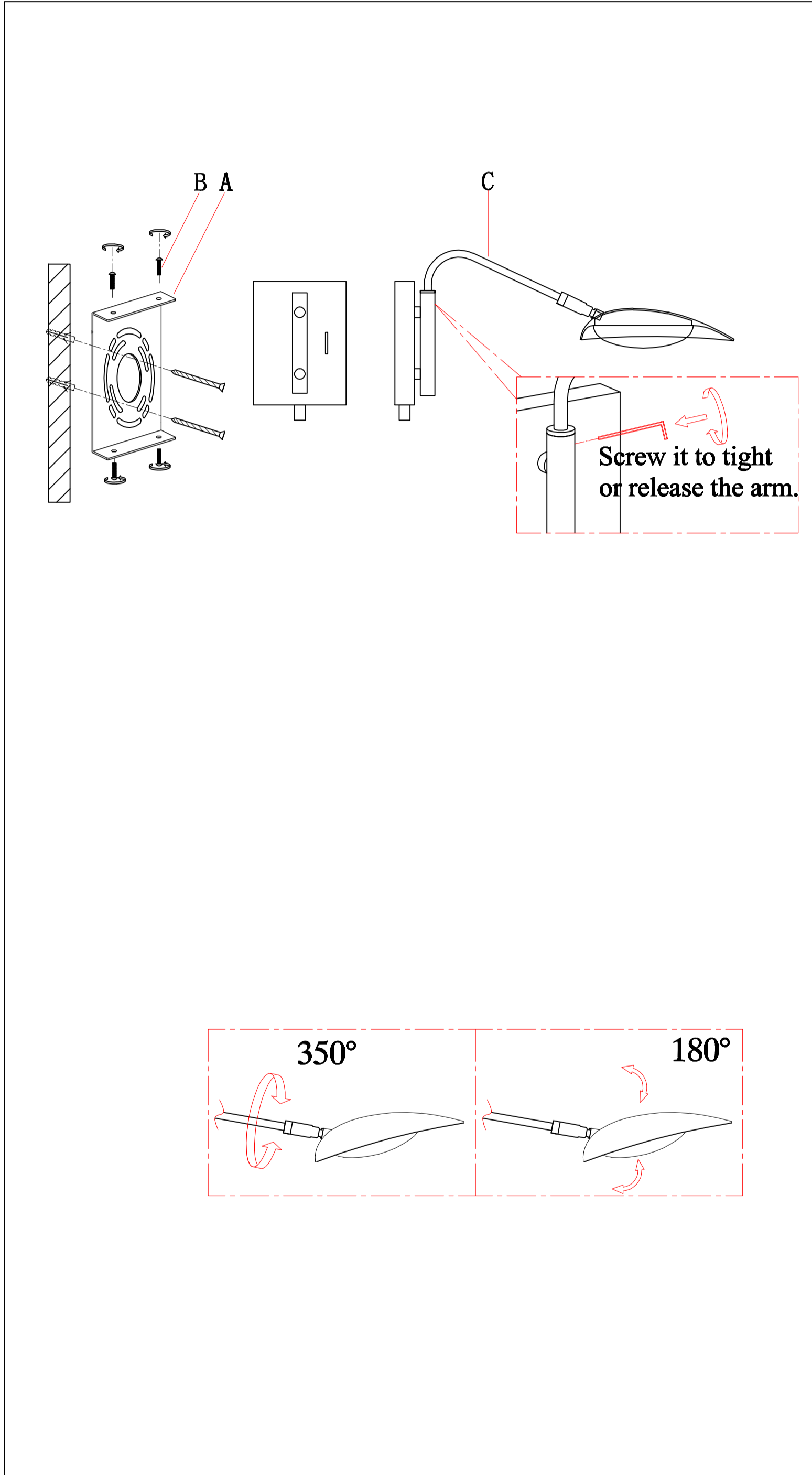


(E)  
Plug



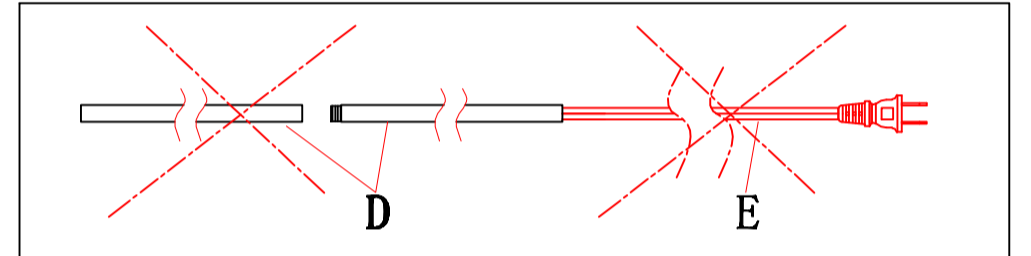
(F)  
Cap

**Locate all hardware & components before discarding packaging**



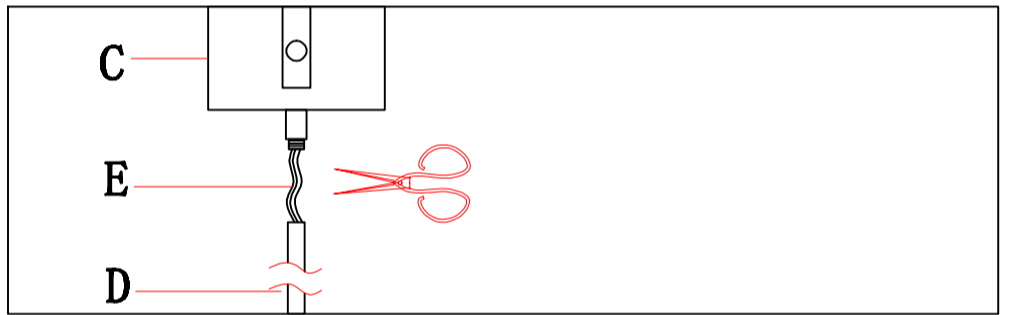
1.)

**Step.1: Turn breaker off for circuit on outlet where fixture is to be installed. Remove mounting bracket(A) from the fixture, and install to electrical box.**



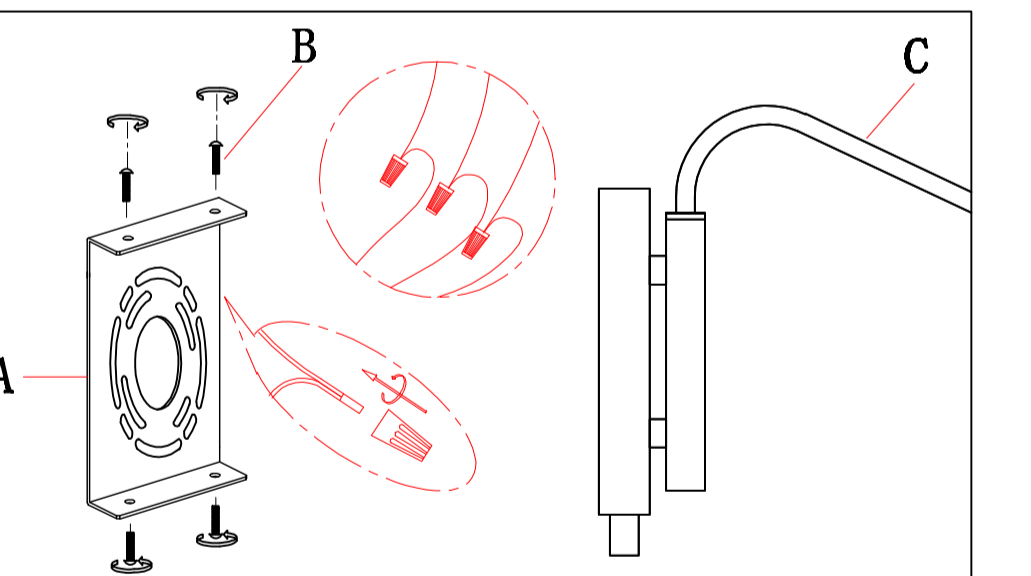
2.)

**Step.2: If you do not want use the plug(E), please see the below install instruction.**



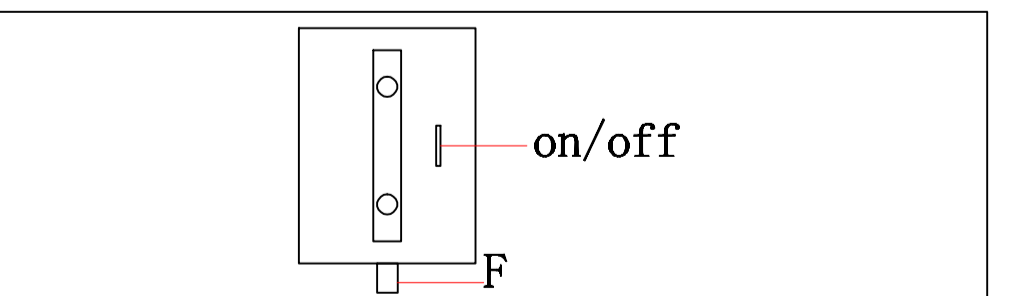
3.)

**Step.3: Cut the plug wire(E), do not install the stems.(D)**



4.)

**Step.4: Wire fixture wires on outlet box, green wire is for Ground. And secure the fixture(C) with bracket(A) until the canopy is meeting the wall.**



5.)

**Step.5: Install the cap(F) at the end of the canopy. Turn the fixture by the tiny switch on the canopy.**

**Cleaning & Care:**

Clean with soft cloth and a mild detergent.  
Do not use abrasive cleaner.