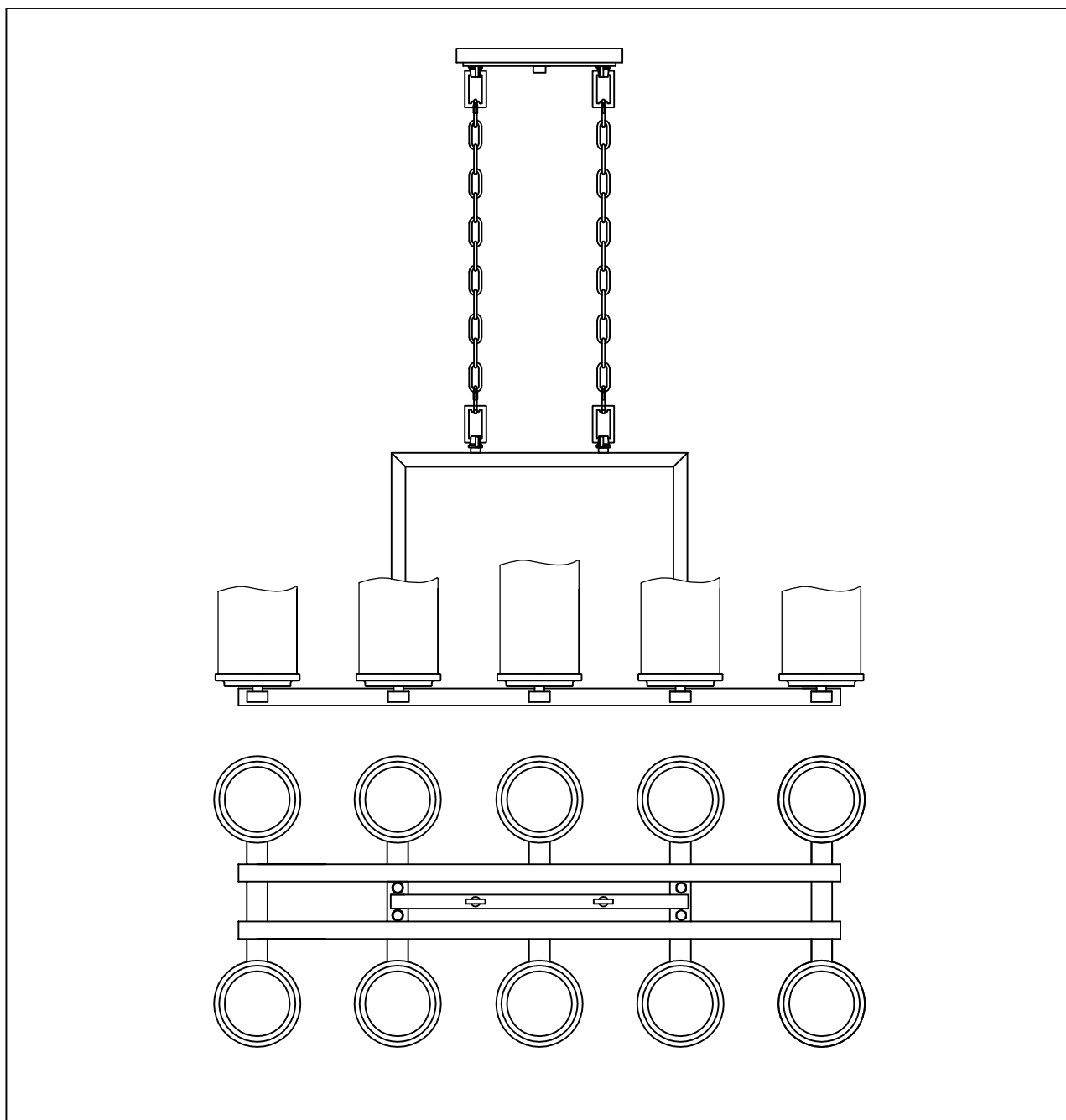




PRODUCT NAME: Luminous  
ITEM NUMBER: 21149

Please consult your electrician for Hang fixture and wiring.



Bulb(not included) :10\*MB 60W

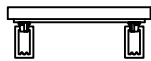
PRODUCTS ARE NOT INENDED  
FOR COMMERCIAL USE.

MADE IN CHINA  
Page 1 of (3)

**IMPORTANT:** Turn off power at the main fuse or circuit breaker box before starting installation



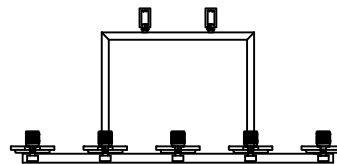
(A) Bracket



(B) Canopy



(C) Chain



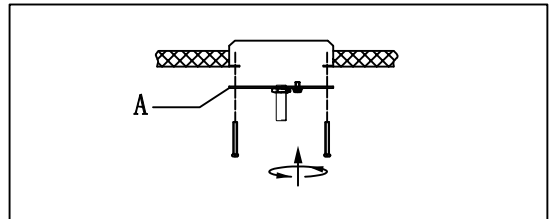
(D) Body



(E) Nut

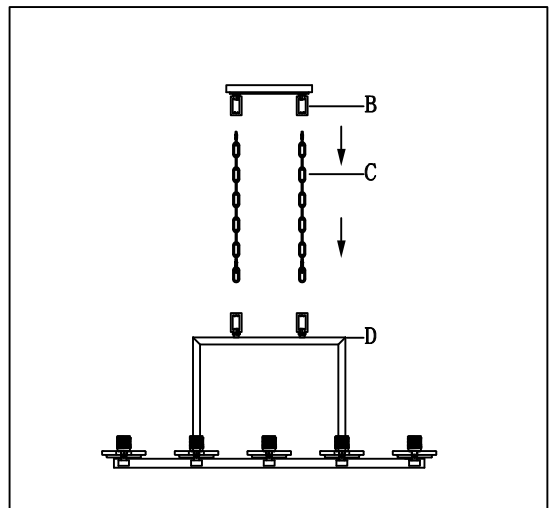
**Locate all hardware & components before discarding packaging**

1.)



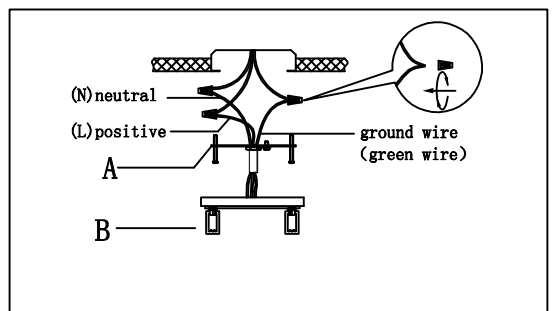
**Step. 1:** Remove mounting bracket(A) from fixture and install to electrical box.

2.)

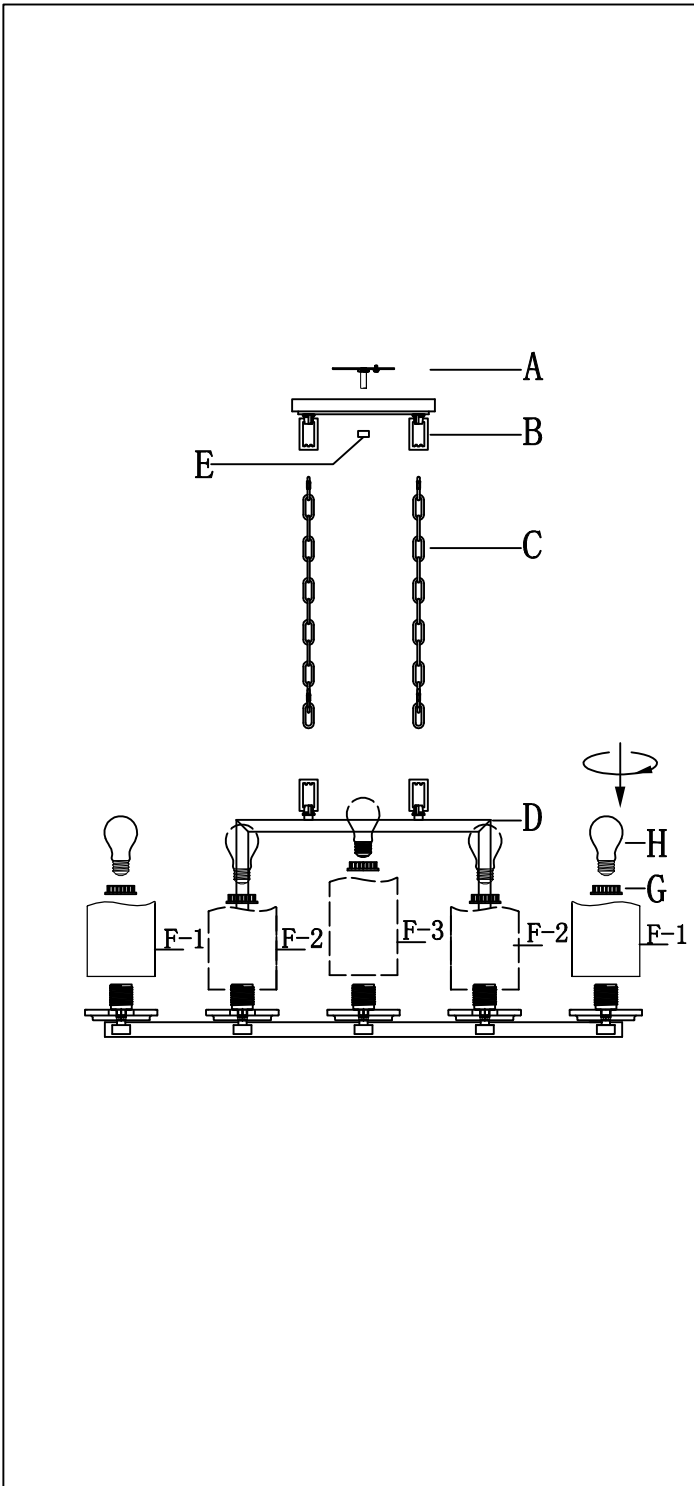


**Step. 2:** Run wire through stems and Chain (C) and combine Chain lengths to meet desired mounting height.

3.)



**Step. 3:** Wire fixture to wires in outlet box. Copper/Green wire is for Ground.



**Cleaning & Care:**

Clean with soft cloth and a mild detergent. Do not use abrasive cleaner.

**IMPORTANT:** Turn off power at the main fuse or circuit breaker box before starting installation



(F-3) Stone shade



(F-2) Stone shade



(F-1) Stone shade

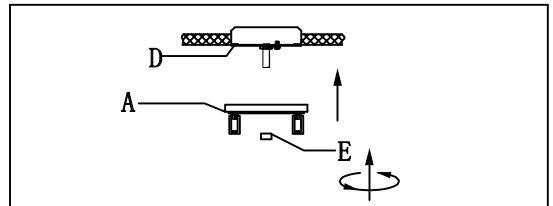
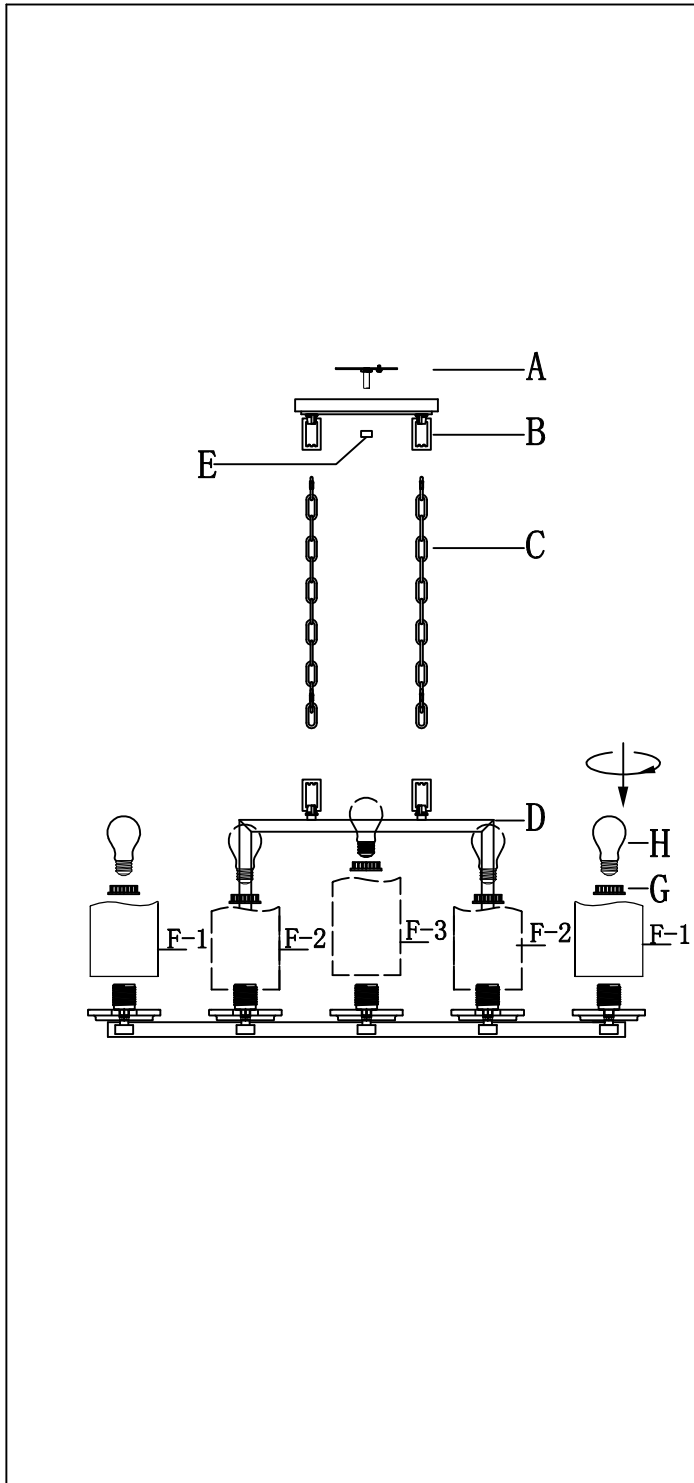


(G) E27E27 Socket Ring



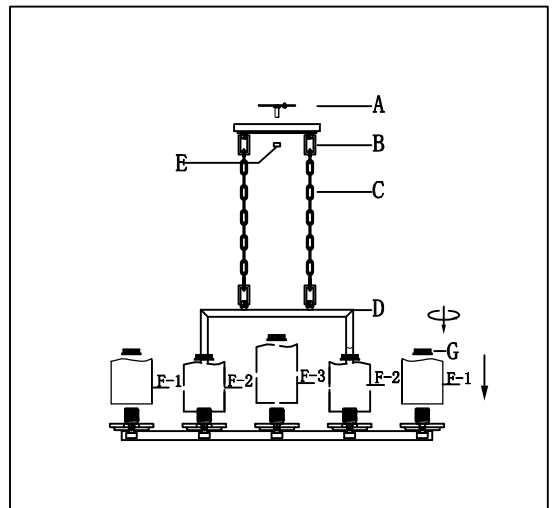
(H) Bulb

**Locate all hardware & components before discarding packaging**



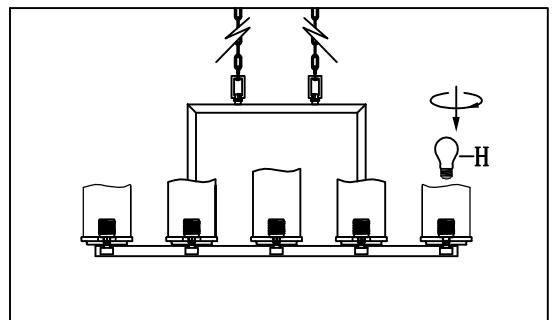
4.)

**Step. 4:** Install fixture to bracket and tighten ball nuts (E) on the canopy to secure.



5.)

**Step. 5:** Hang the Stone shade (F) on lamp body (D)



**Step. 6:** Install the bulb

**Cleaning & Care:**

Clean with soft cloth and a mild detergent. Do not use abrasive cleaner.