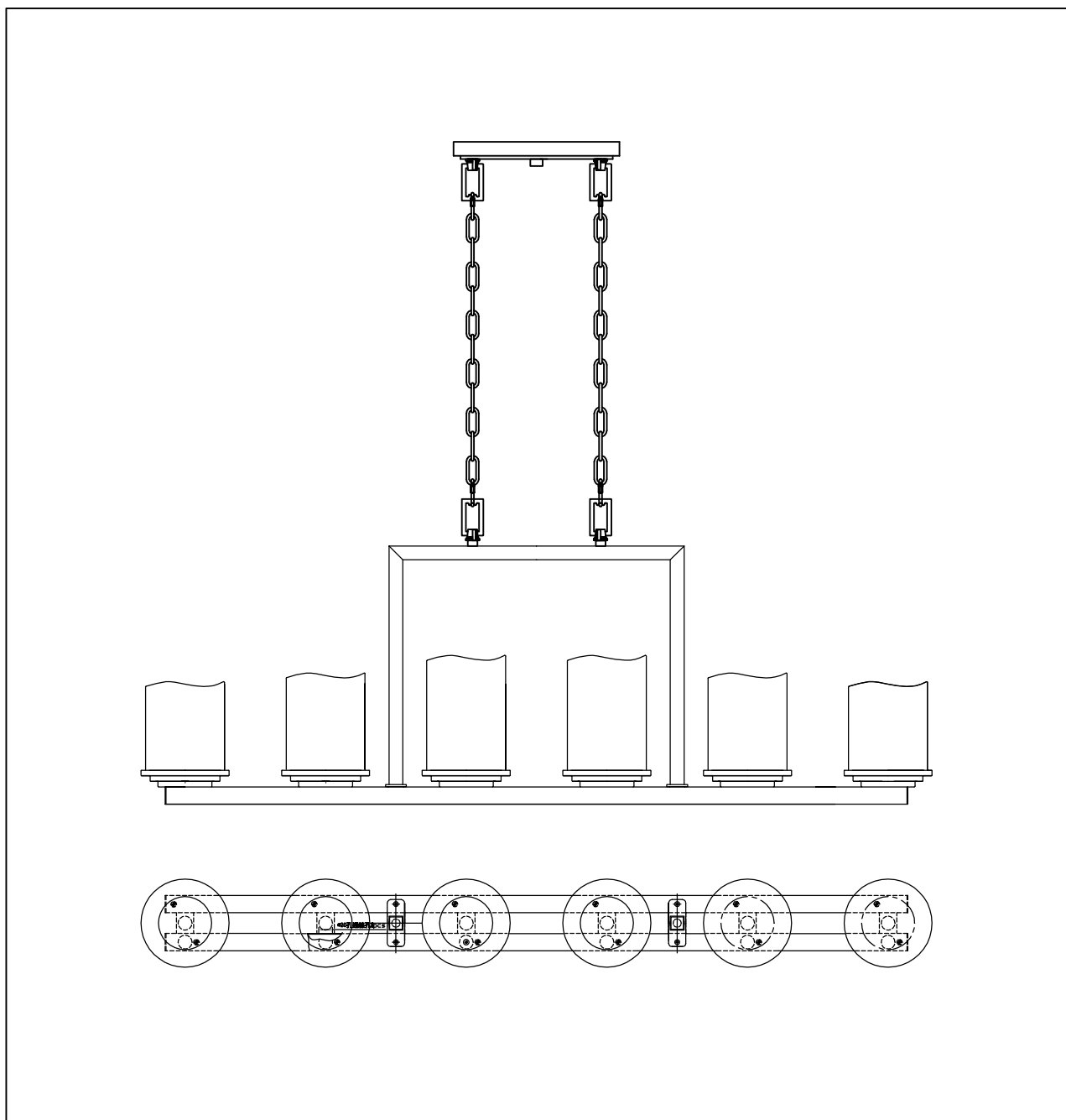




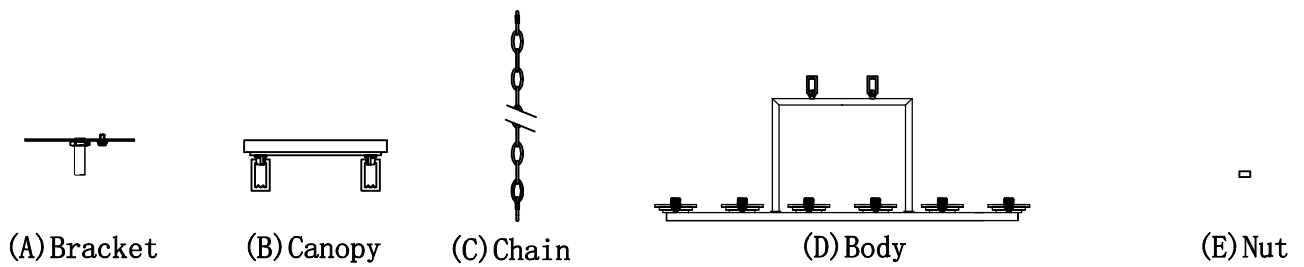
PRODUCT NAME: Luminous  
ITEM NUMBER: 21148

Please consult your electrician for Hang fixture and wiring.

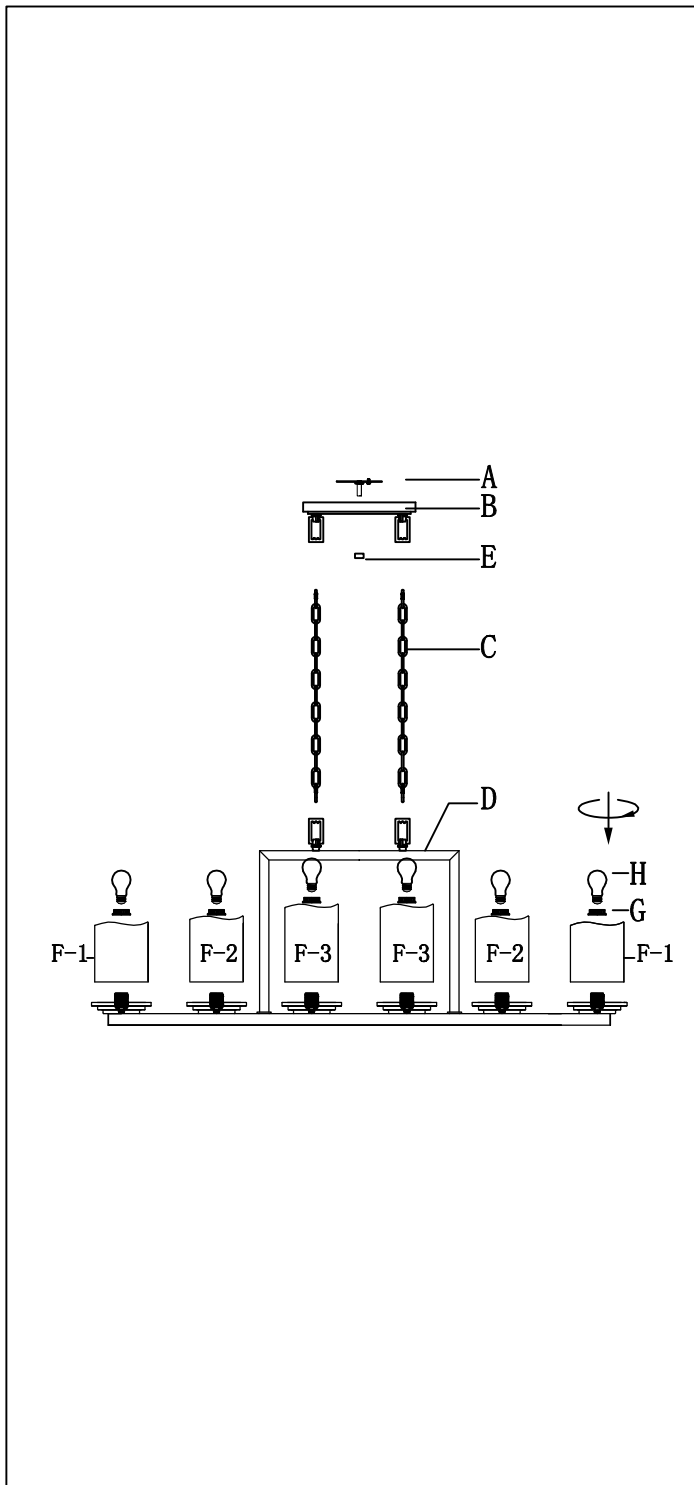


Bulb(not included) :6\*MB 60W

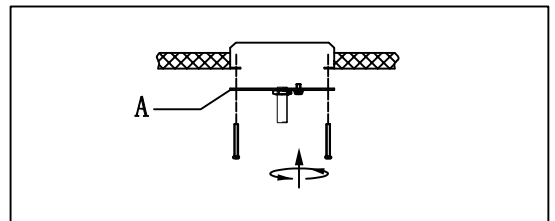
**IMPORTANT:** Turn off power at the main fuse or circuit breaker box before starting installation



**Locate all hardware & components before discarding packaging**

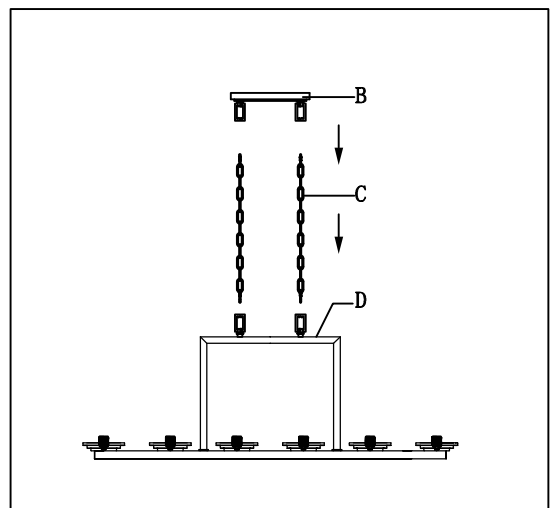


1.)



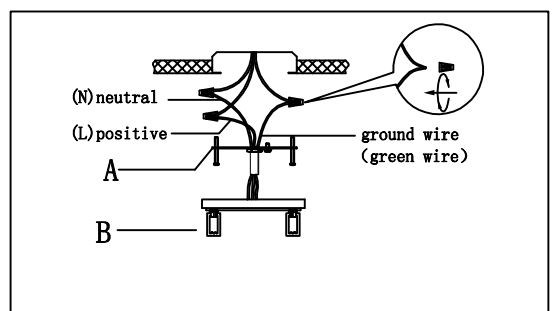
**Step. 1:** Remove mounting bracket(A) from fixture and install to electrical box.

2.)



**Step. 2:** Run wire through stems and Chain (C) and combine Chain lengths to meet desired mounting height.

3.)



**Step. 3:** Wire fixture to wires in outlet box. Copper/Green wire is for Ground.

**Cleaning & Care:**

Clean with soft cloth and a mild detergent. Do not use abrasive cleaner.

**IMPORTANT: Turn off power at the main fuse or circuit breaker box before starting installation**



(F-3) Stone shade



(F-2) Stone shade



(F-1) Stone shade

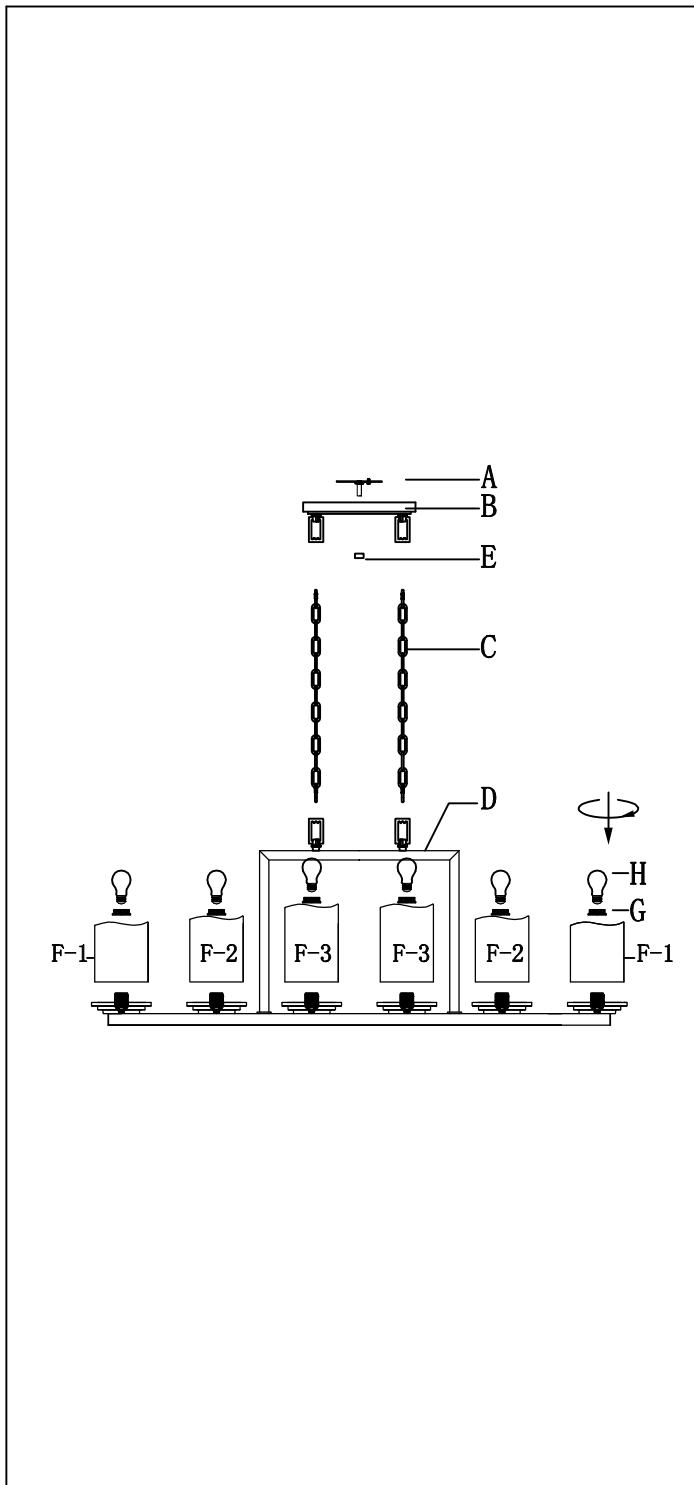


(G) E27 Socket Ring

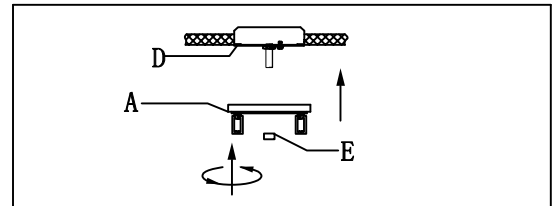


(H) Bulb

### Locate all hardware & components before discarding packaging

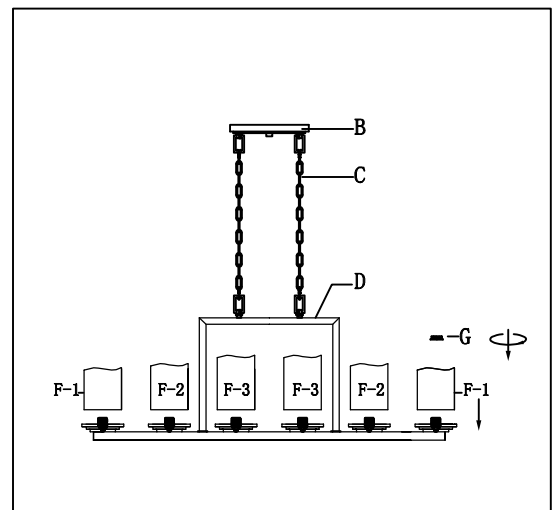


4.)

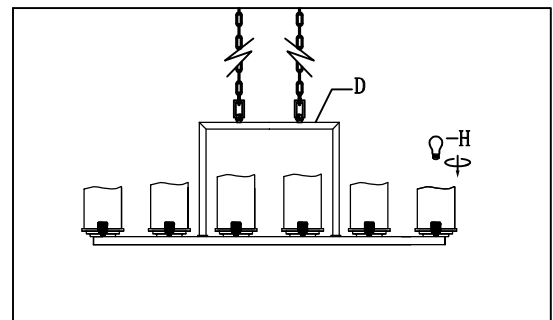


**Step. 4:** Install fixture to bracket and tighten ball nuts (E) on the canopy to secure.

5.)



**Step. 5:** Hang the Stone shade (F) on lamp body (D)



**Step. 6:** Install the bulb

#### Cleaning & Care:

Clean with soft cloth and a mild detergent.  
Do not use abrasive cleaner.