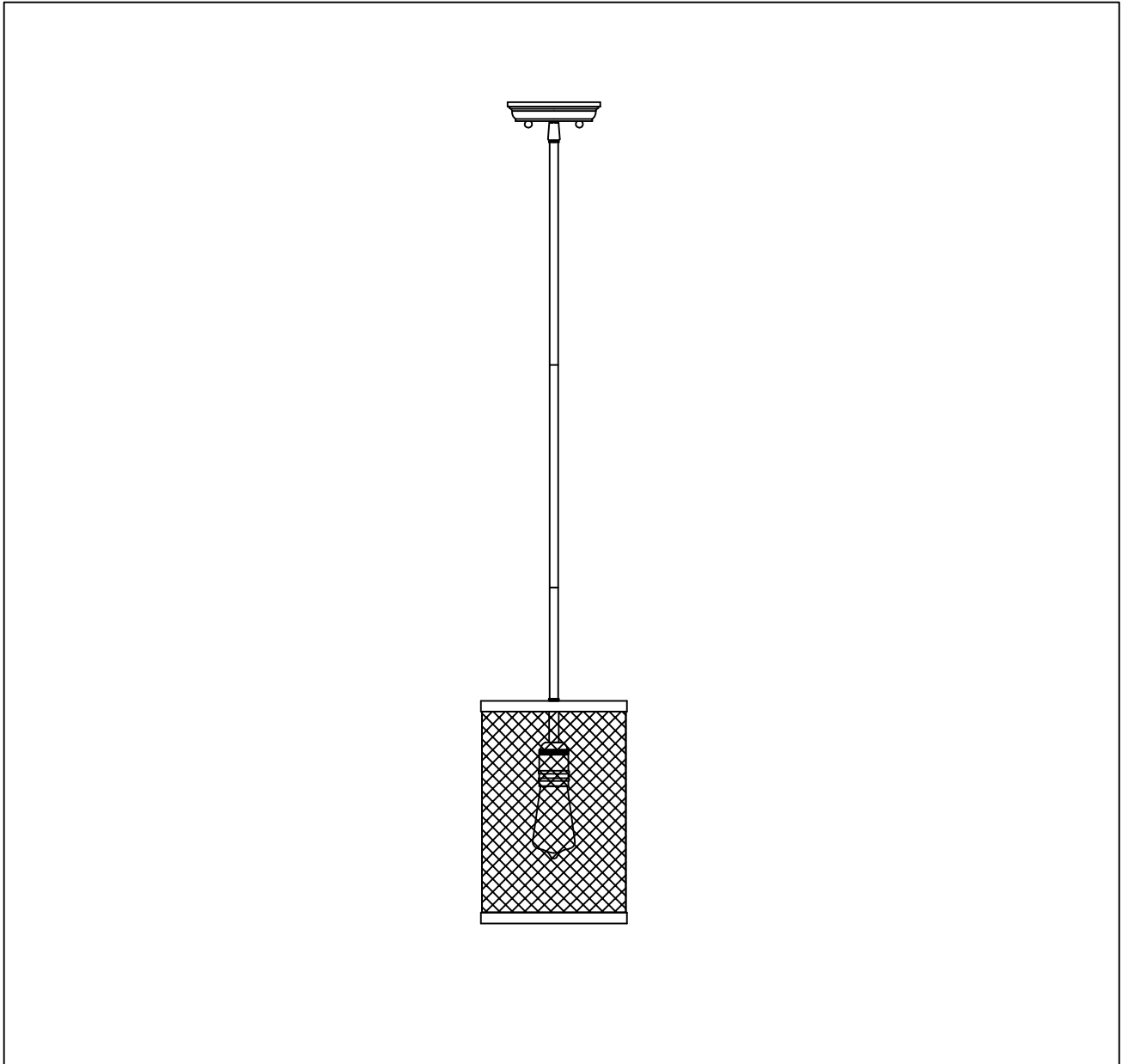




PRODUCT NAME: Palladium
ITEM NUMBER: 20111

Please consult your electrician for hanging fixture and wiring.



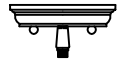
Bulb(not included): 1 Edison-style bulb recommended

**PRODUCTS ARE NOT INENDED
FOR COMMERCIAL USE.**

MADE IN CHINA

Page 1 of (3)

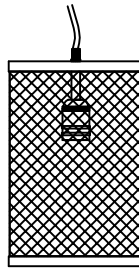
IMPORTANT: Turn off power at the main fuse or circuit breaker box before starting installation



(A) Canopy



(B) stem



(C) Body

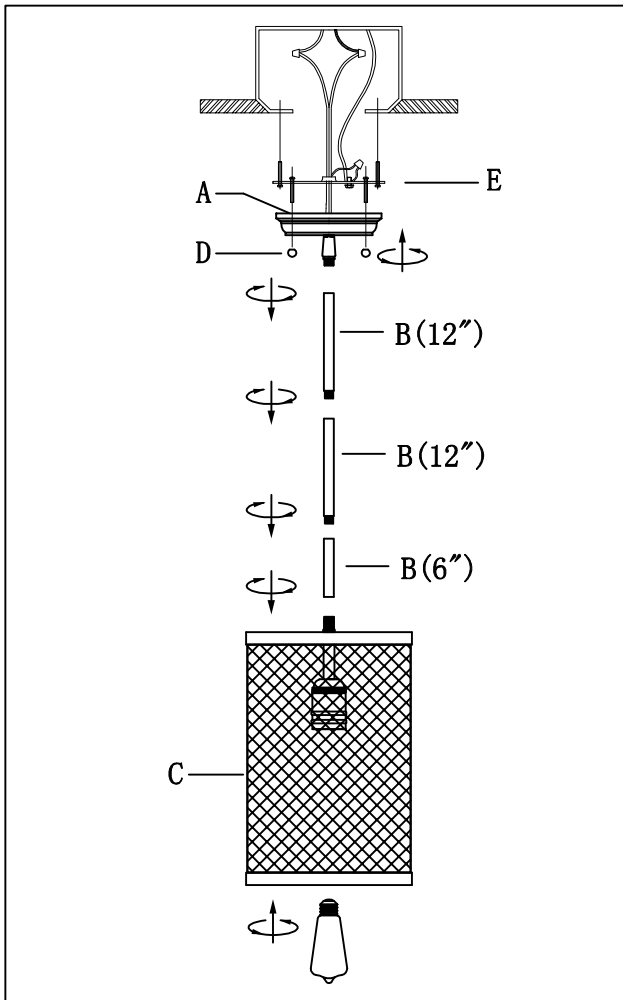


(D) Ball nut

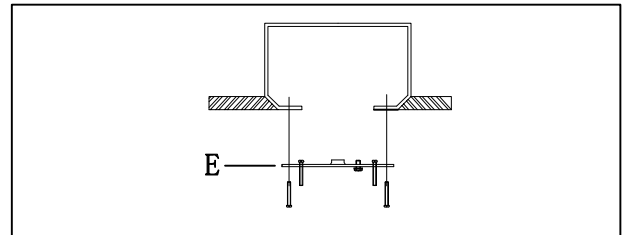


(E) Mounting bracket

Locate all hardware & components before discarding packaging

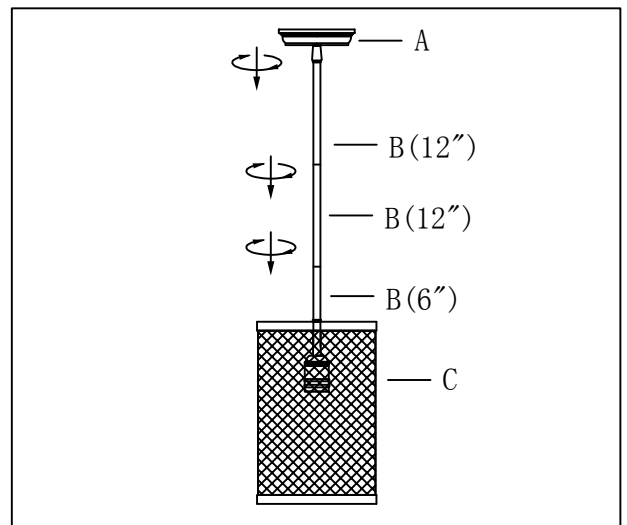


1.)



Step. 1: Install mounting bracket (E) to outlet box.

2.)



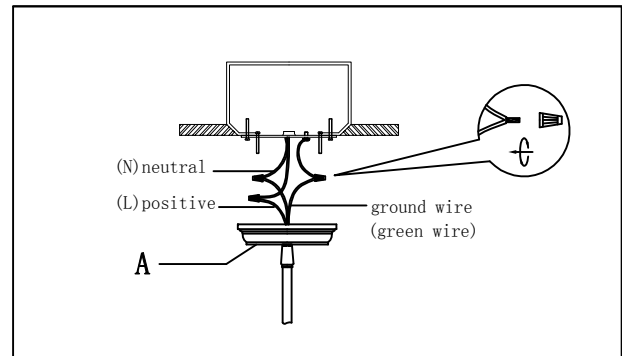
Step. 2: Run wire through stems (B) and combine stem lengths to meet desired mounting height.

Cleaning & Care:

Clean with soft cloth and a mild detergent.
Do not use abrasive cleaner.

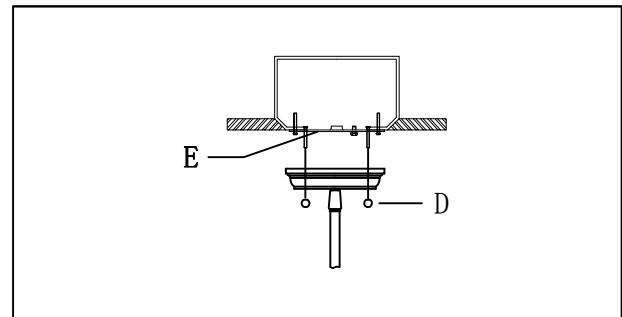
IMPORTANT: Turn off power at the main fuse or circuit breaker box before starting installation

3.)



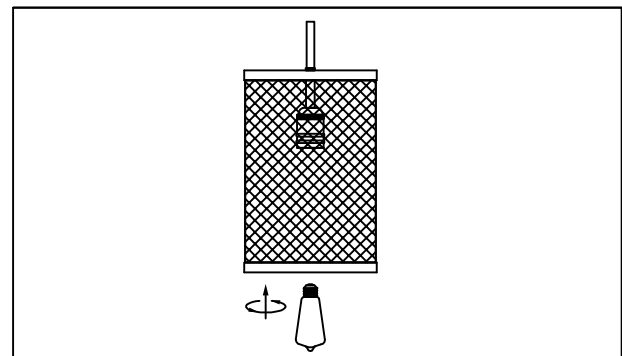
Step. 3: Wire fixture to wires in outlet box. Copper/green wire is for Ground.

4.)

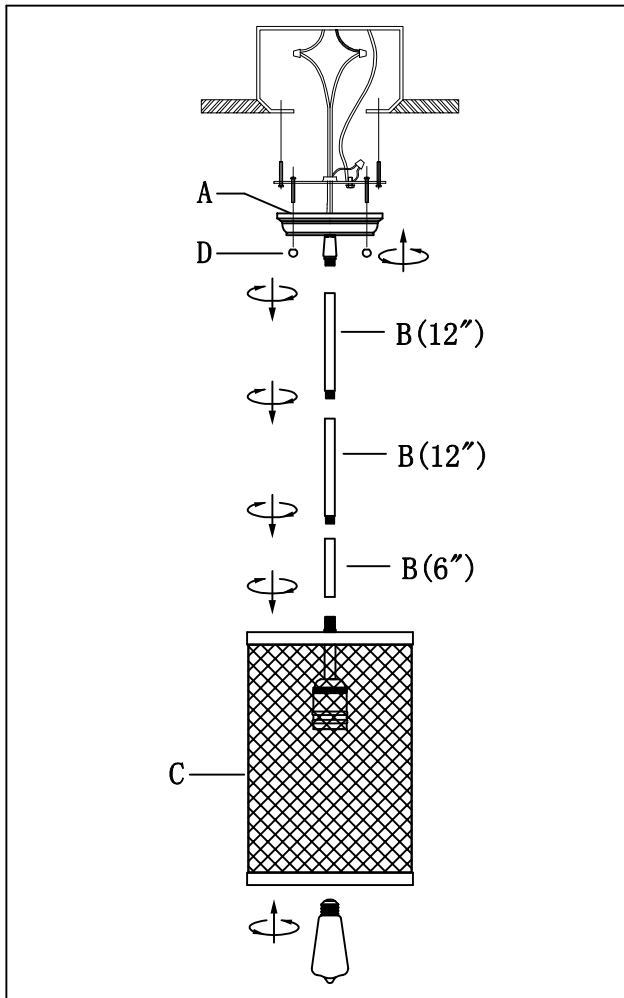


Step. 4: Attach fixture to mounting bracket (E) and tighten with ball nut (D).

5.)



Step. 5: Install medium base Edison-style bulb (not included) into socket.



Cleaning & Care:

Clean with soft cloth and a mild detergent.
Do not use abrasive cleaner.