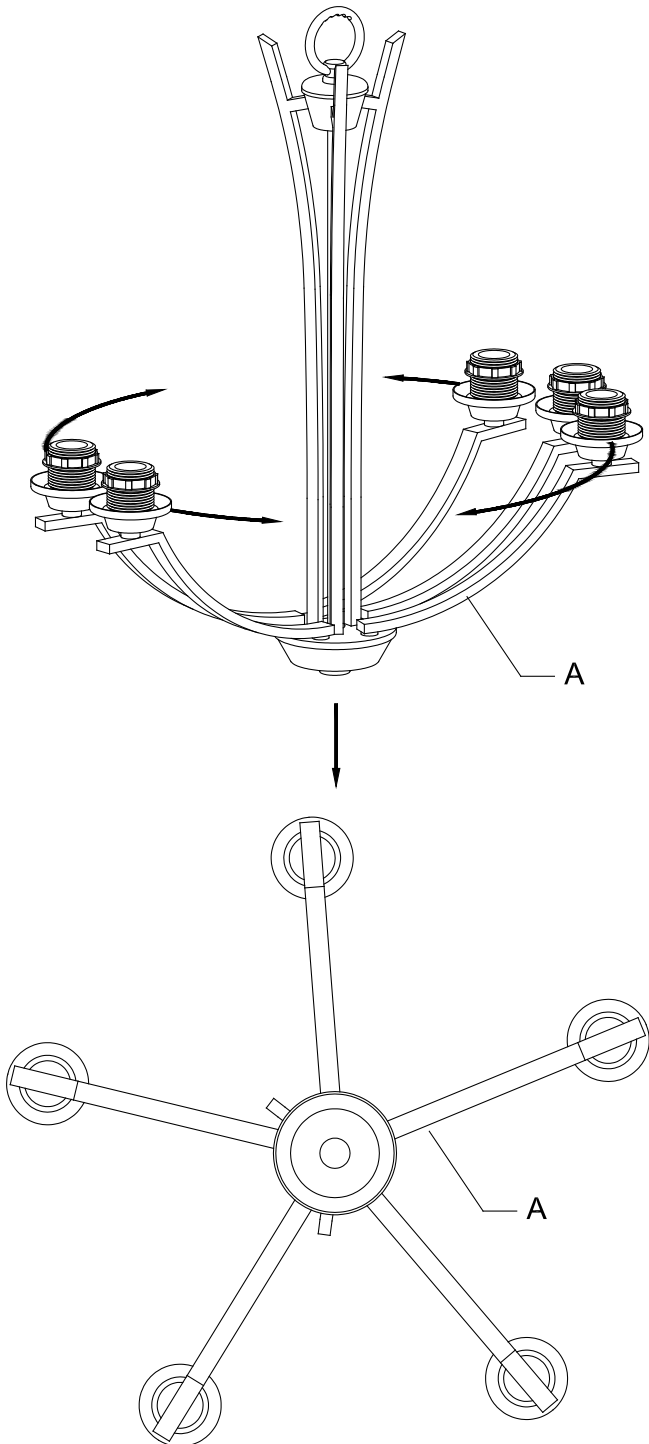


## Assembly Instructions

1. Rotate the bent tubes (A) to the correct position .
2. Loosen the socket ring (E) from the socket (B).
3. Fit the shade (C) and the ring (D) onto the socket (B) then tighten with the socket ring (E).



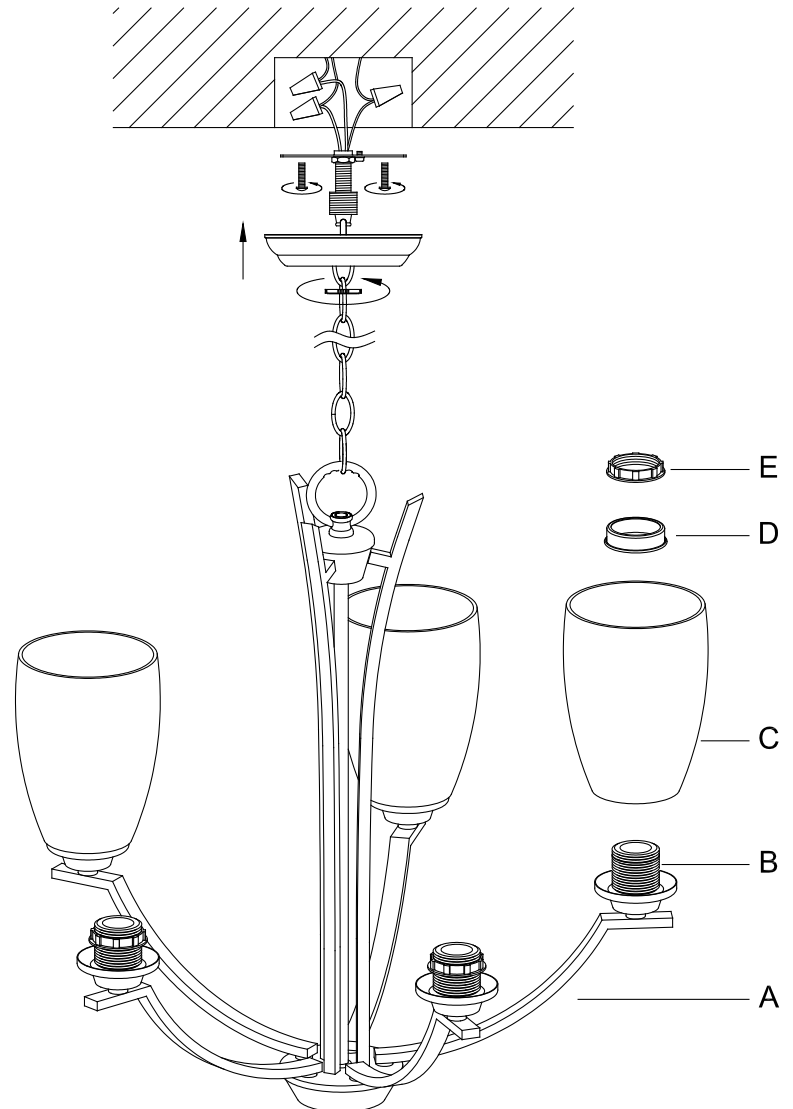
STEP 1

## Electrical Wiring

With wire connectors, connect powercords from outlet box to fixture.

- Smooth/ Black wire to Black wire
- Ribbed/ White wire to White wire
- Green to Ground

*Please consult a qualified Electrician if you are not familiar with electrical wiring.*



STEP 2