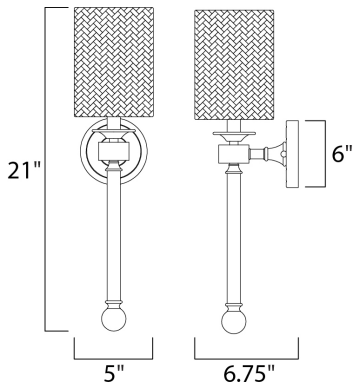




PRODUCT DESCRIPTION

Unique and dramatic pendants are created using solid Clear glass rods that fit into castings finished in Polished Nickel. This design is a creative mix of modern and classic which has a broad universal appeal.



MEASUREMENTS

DIMENSION : 5" W x 21" H x 6.75" Ext
 MAX OAH : 6" W x 6" H
 HANGING WEIGHT : 2.9 lb

LAMPING

INPUT VOLTAGE : 110-130V
 BULB : 1 x 60W Incandescent E12 Candelabra , 60W Total
 BULB INCLUDED : (Not Included)
 DIMMABLE : Yes

FINISHES OPTION

 Polished Nickel

GLASS

Clear CL

MATERIAL

Steel, Glass

RATINGS

cETLus
 Damp Location



ADDITIONAL

INSTALL UP/DOWN: Up
 OPERATING TEMPERATURE:
 -20°C (-4°F), 40°C (104°F)

Always consult a qualified electrician before installing any lighting product.

