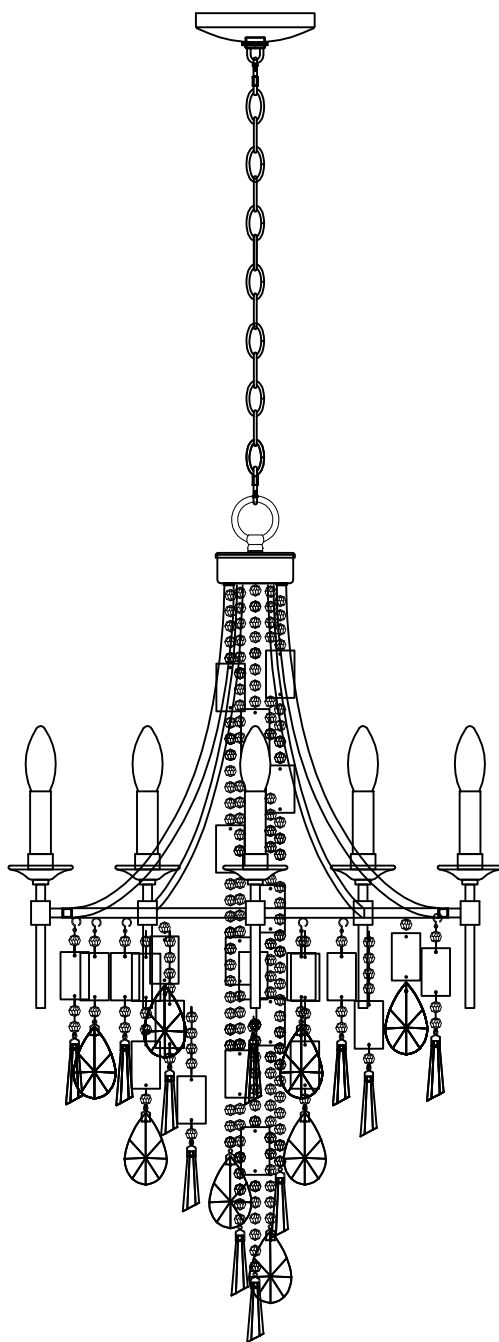


PRODUCT NAME: Cebu 5LT Chandelier

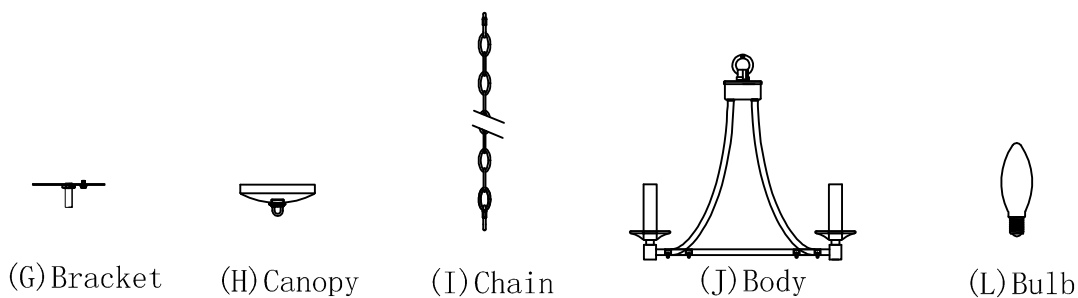
NUMBER: 14425

Please consult your electrician for Hang fixture and wiring.

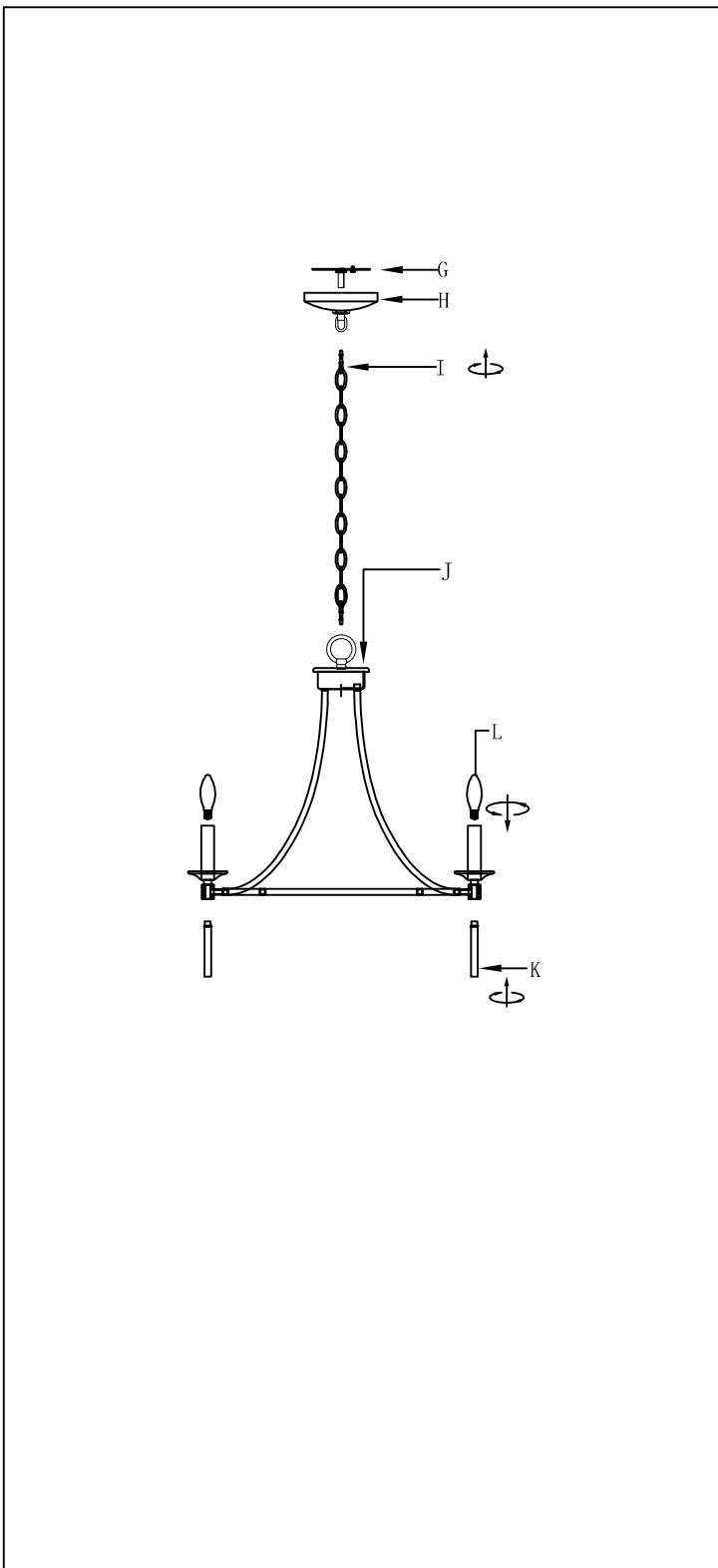


Bulb (Not included) : 5\*CA 60W

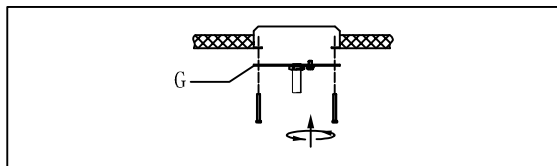
**IMPORTANT:** Turn off power at the main fuse or circuit breaker box before starting installation



Locate all hardware & components before discarding packaging

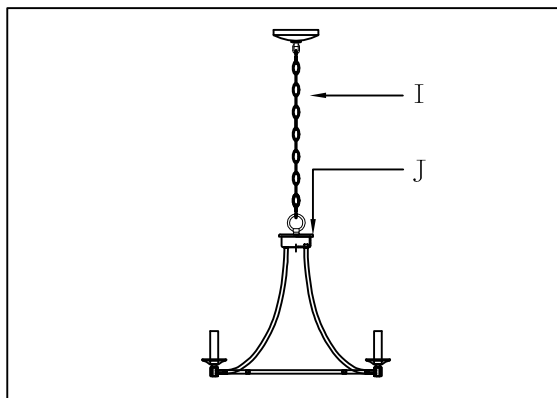


1.)



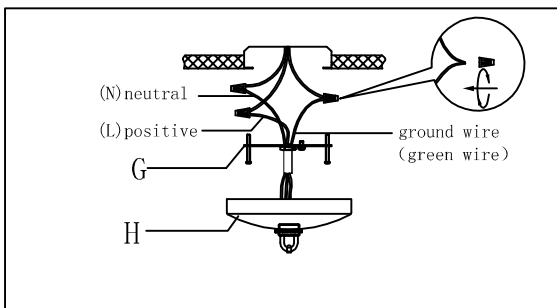
**Step. 1:** Remove mounting bracket (G) from fixture and install to electrical box.

2.)



**Step. 2:** Attach appropriate amount of chain to loop to achieve desired mounting height. Thread wire through every 3rd loop of chain.

3.)



**Step. 3:** Wire fixture to wires in outlet box. Copper/Green wire is for Ground.

**Cleaning & Care:**

Clean with soft cloth and a mild detergent. Do not use abrasive cleaner.

**IMPORTANT:** Turn off power at the main fuse or circuit breaker box before starting installation

(A-F) Crystal



(K) Stems



1-A



1-B



1-C



2-A



2-B



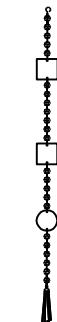
2-C



3-A



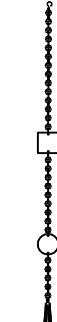
3-B



3-C



3-D

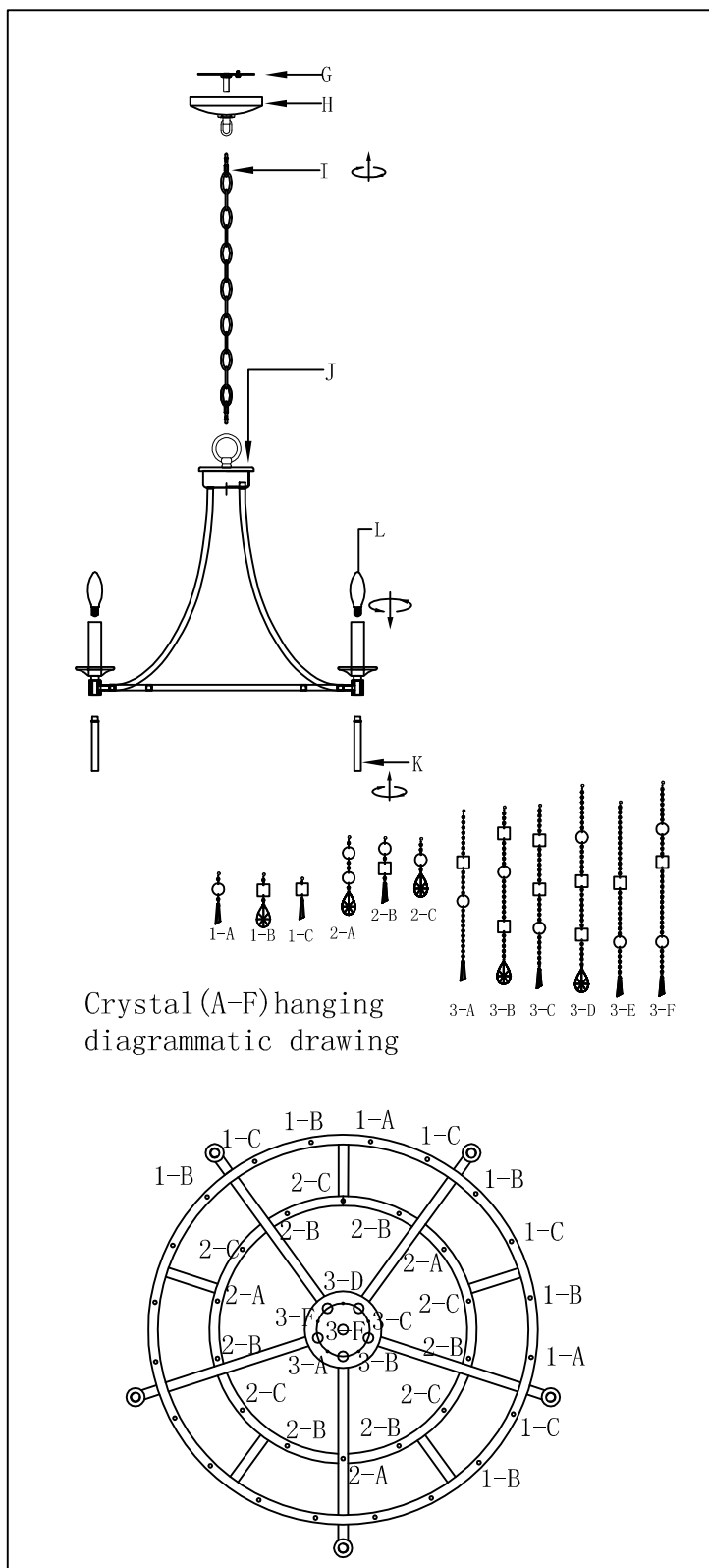


3-E

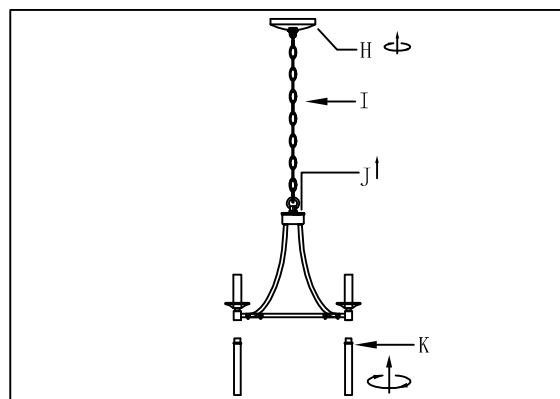


3-F

Locate all hardware & components before discarding packaging

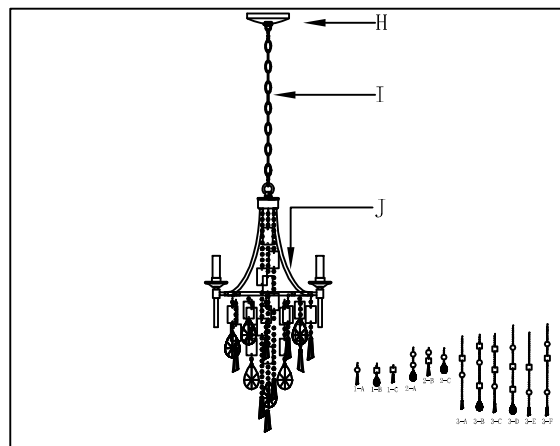


4.)



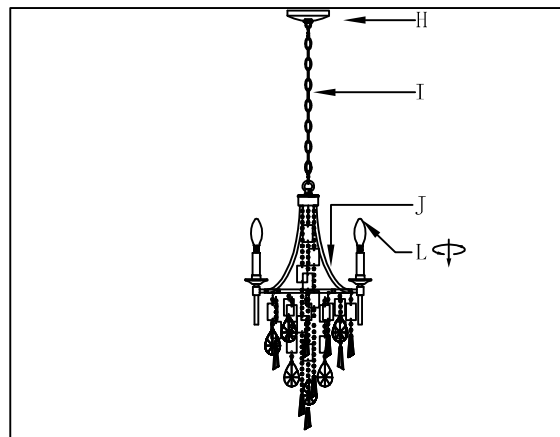
Step. 4: Screw up stems (K) on the bottom of each socket.

5.)



Step. 5: Hang the crystal (A-F) follow the left side drawing. Or DIY your own style.

6.)



Step. 6: Install the bulb.

**Cleaning & Care:**

Clean with soft cloth and a mild detergent. Do not use abrasive cleaner.