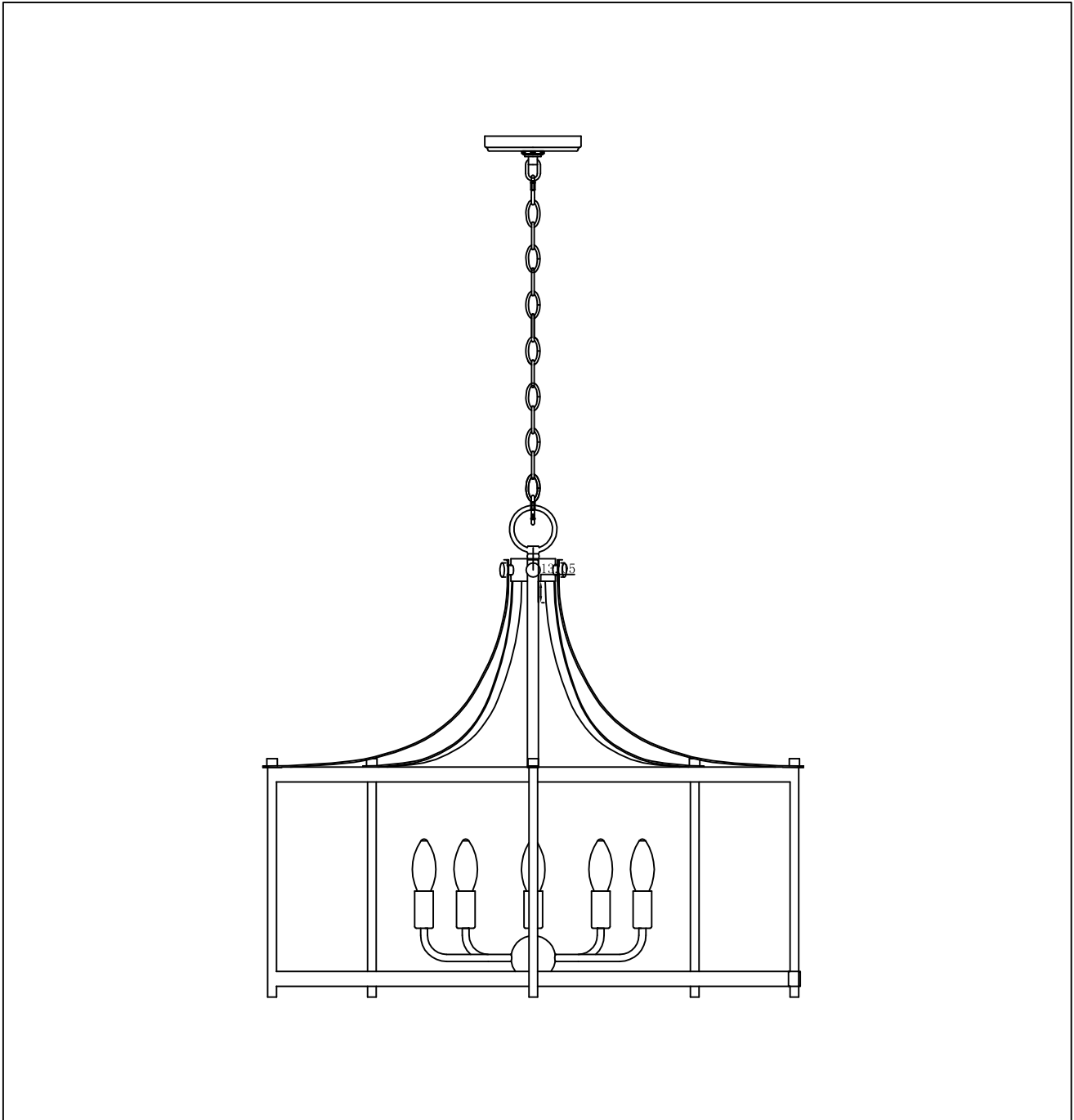




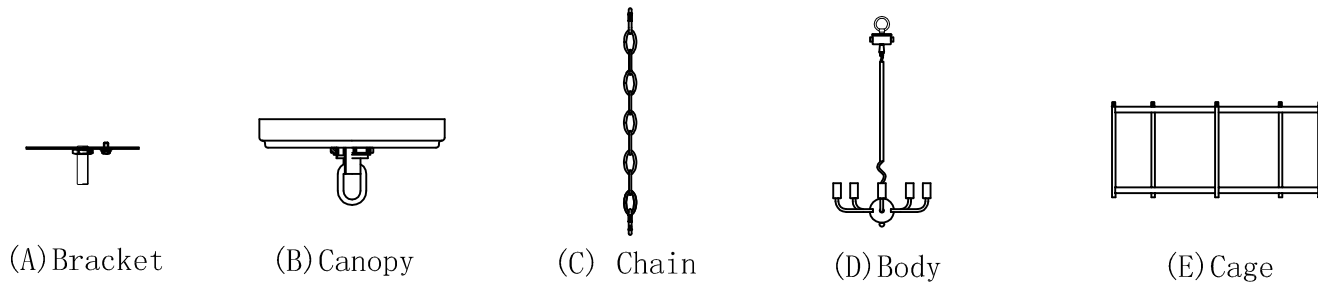
PRODUCT NAME: Wellington 5-Light Pendant
ITEM NUMBER: 13595

Please consult your electrician for Hang fixture and wiring.

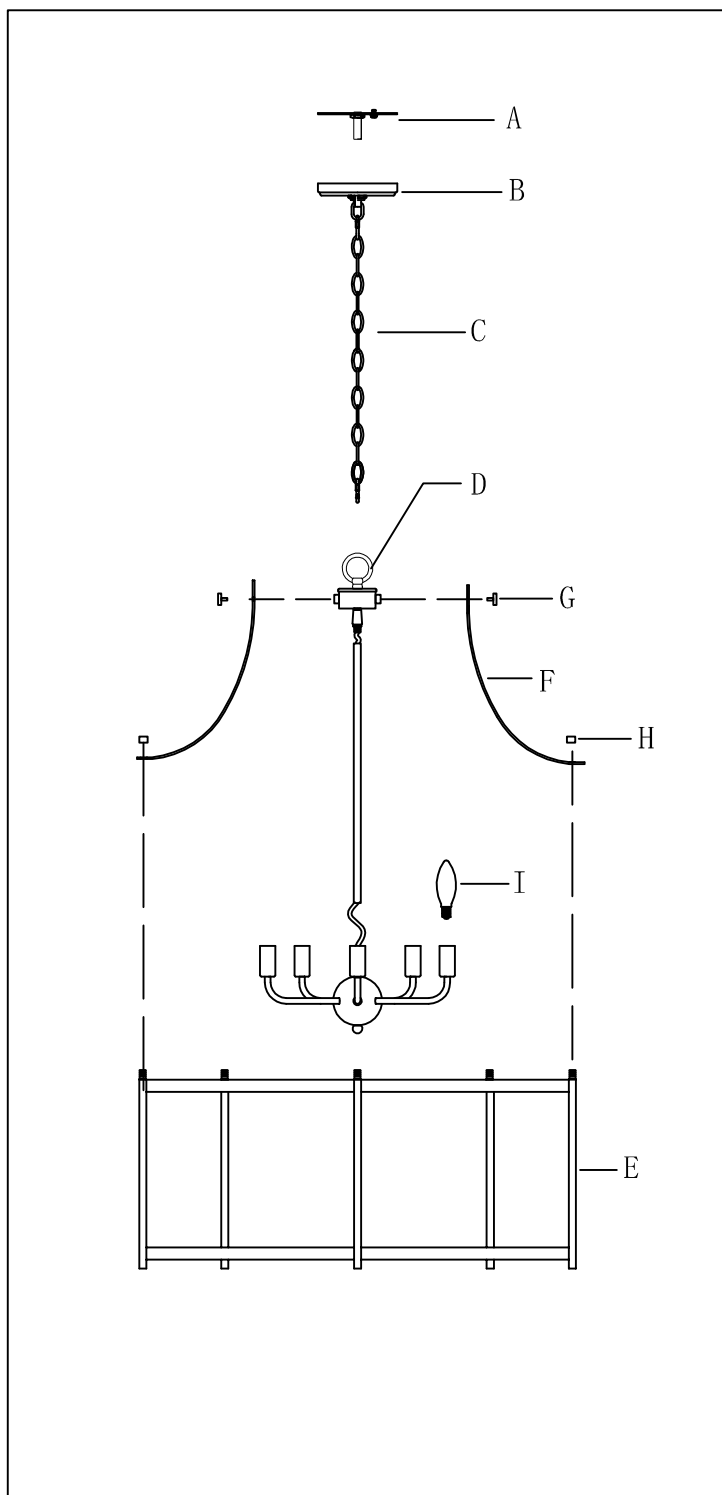


Bulb (Not included) : 5*CA 60W

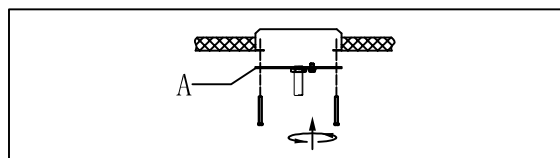
IMPORTANT: Turn off power at the main fuse or circuit breaker box before starting installation



Locate all hardware & components before discarding packaging

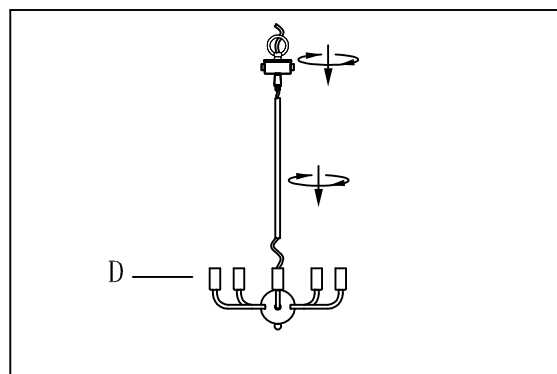


1.)



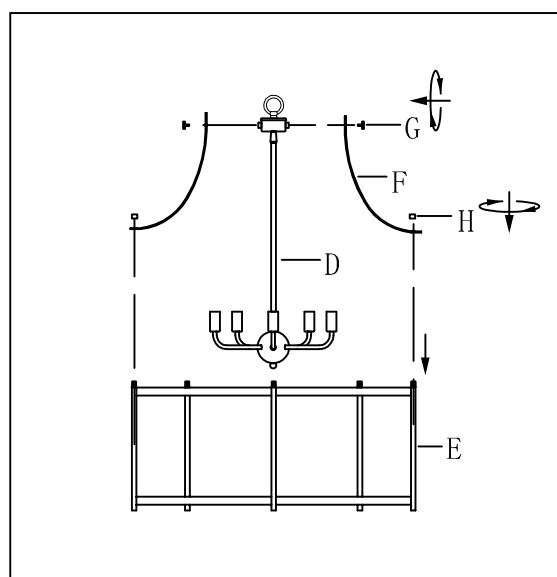
Step. 1: Remove mounting bracket (A) from fixture and install to electrical box.

2.)



Step. 2: Screw down the stem on body (D) and connect all the parts together.

3.)

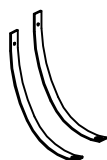


Step. 3: Use screw (G) to lock part (F) on the top of body (D), then put body (D) into the frame (E), and use nut (H) to lock part (F) on the top of cage (E).

Cleaning & Care:

Clean with soft cloth and a mild detergent.
Do not use abrasive cleaner.

IMPORTANT: Turn off power at the main fuse or circuit breaker box before starting installation



(F) Part



(G) Screw

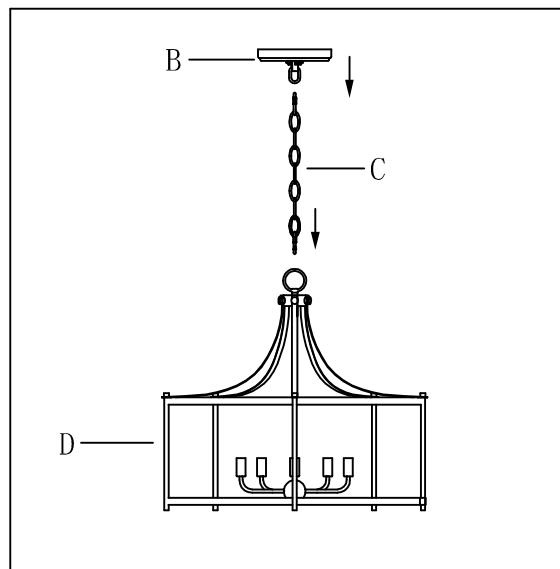
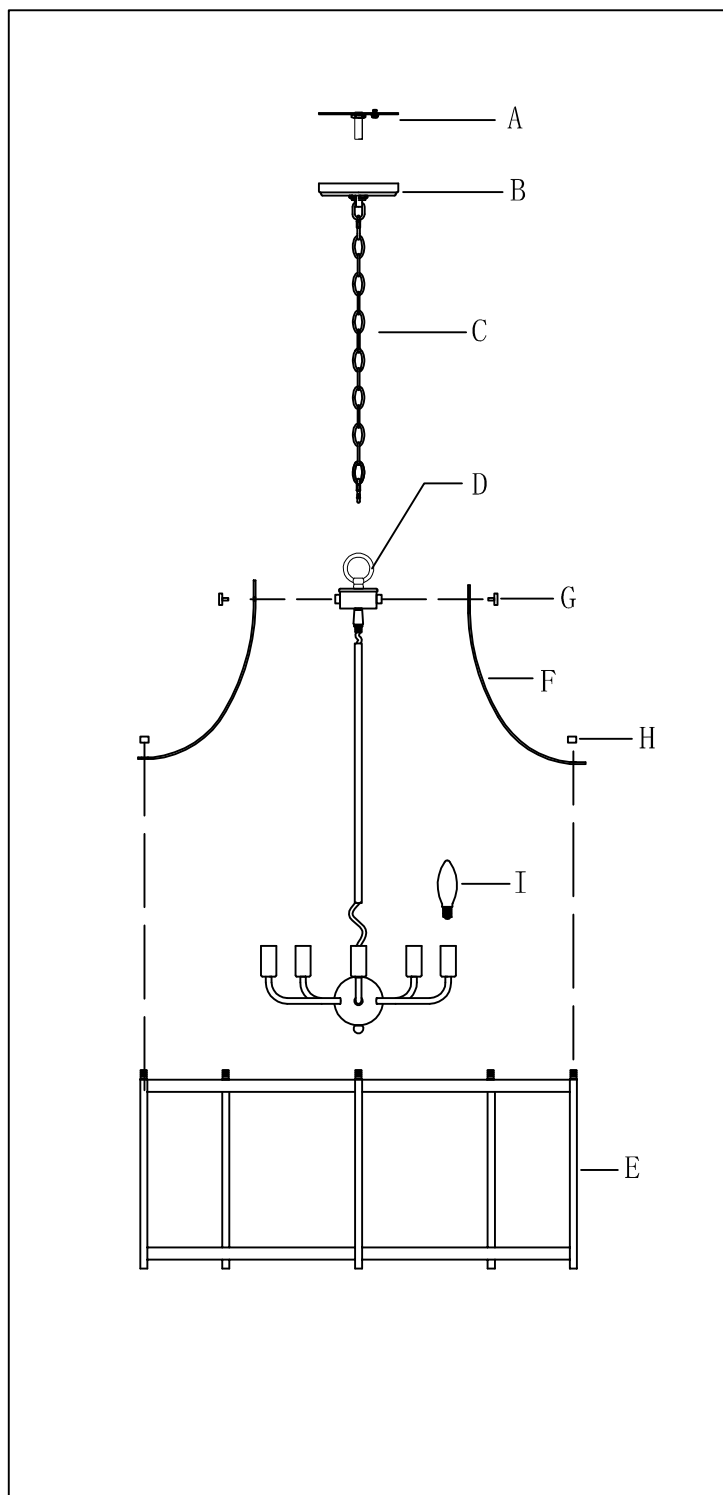


(H) Nut



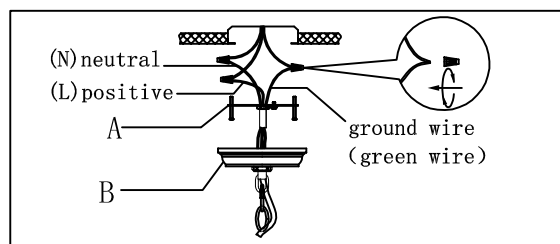
(I) Bulb

Locate all hardware & components before discarding packaging



4.)

Step. 4: Attach appropriate amount of chain to loop to achieve desired mounting height. Thread wire through every 3rd loop of chain.



5.)

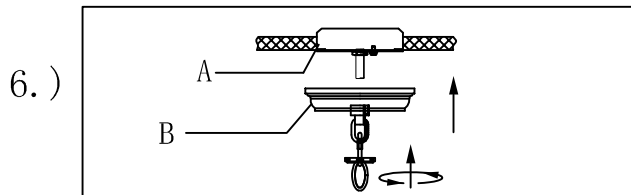
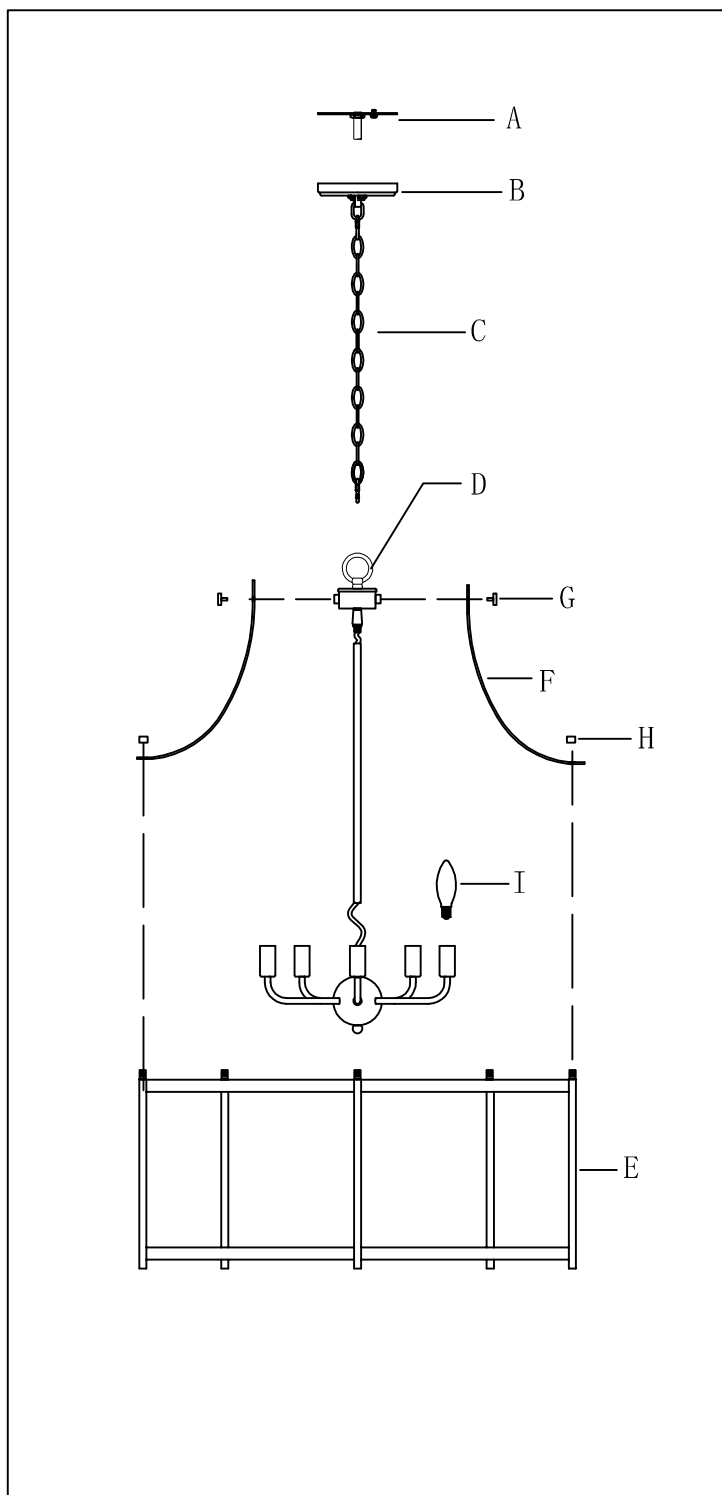
Step. 5: Wire fixture to wires in outlet box. Remove ring from loop and slide down chain. Place canopy onto chain and let slide to top of fixture. install nipple and cross bar into top of chain loop. Wire fixture to wires in outlet box. Copper wire is for Ground.

Cleaning & Care:

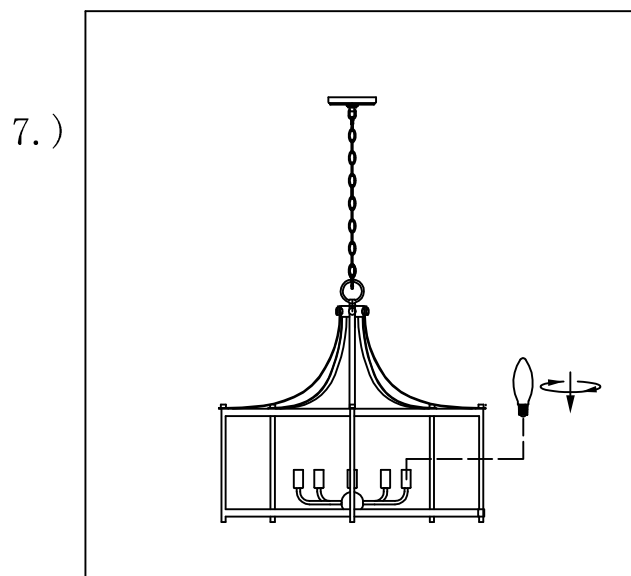
Clean with soft cloth and a mild detergent.
Do not use abrasive cleaner.

IMPORTANT: Turn off power at the main fuse or circuit breaker box before starting installation

Locate all hardware & components before discarding packaging



Step. 6: Pull canopy through screw ring up chain to ceiling and tighten securely.



Step. 7: Install the bulb.

Cleaning & Care:

Clean with soft cloth and a mild detergent.
Do not use abrasive cleaner.