

Assembly Instruction
1068AW 1068BK
1068RP 1068TP

- 1、 first please fix the back plate on the wall with the cross bar
- 2、 fix the finial on the top cover with the nut
- 3、 link the cage and the top cover with the ball knobs
- 4、 screw the down finial on the arm

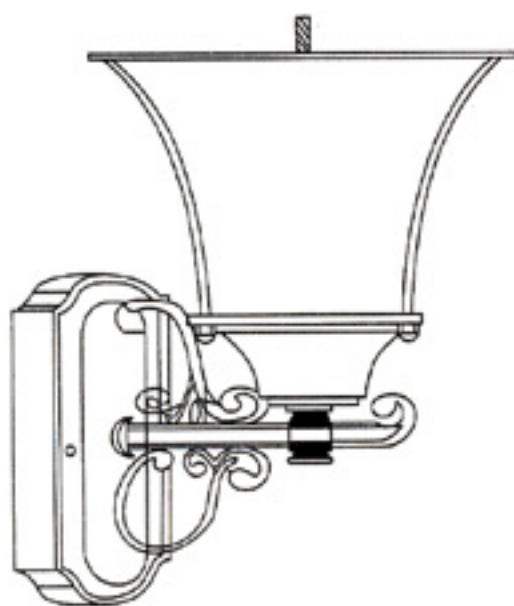


1.Screw The Finial



2.Screw The Nut

3.The Ball Knobs



4.Screw The Down Finial

