



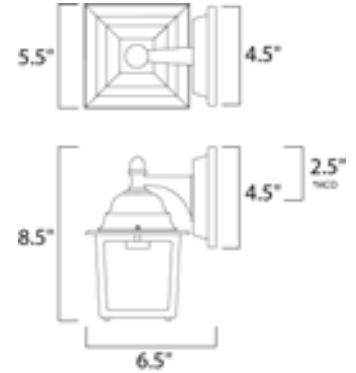
Lighting Your Life Since 1970

Product Specifications - 86924BK

Job Name:	Job Type:
Quantity:	Comments:



86924BK
Side Door EE 1-Light Outdoor Wall Mount



*Height from center of outlet to the top of the fixture

Finish
Black

Glass/Shade
Frosted

Product Category
Outdoor Wall Mount

Lamping

Number of Bulbs	1
Light Type	Fluorescent
Bulb Type	GU24
Max Bulb Wattage	13
Max Fixture Wattage	13
Rated Life	±10,000 Hours
Rated Lumens	±900
Color Temp	±2,700 K
Bulb(s)	Included
Light Up/Down	N/A
Beam Spread	N/A
CRI	81-82
Photo Cell Included	N/A
Ballast/Driver/Transformer	No
Dimmable	No

Measurements

Width	5.50"
Height	8.50"
Length	N/A
Extension	7"
Back Plate Width	4.50"
Back Plate Height	4.50"
HCO	2.50"
Min Overall Height	0.00"
Max Overall Height	8.50"
Hanging Weight	1.87 lbs
Height Adjustable	N/A
Slope	N/A
Chain Length	N/A
Wire Length	N/A
Canopy Width	N/A
Canopy Height	N/A
Canopy Length	N/A

Shipping

Carton Weight	2.66 lbs
Carton Width	6"
Carton Height	10"
Carton Length	8"
Carton Cubic Feet	0.28
Master Pack	6
Master Pack Weight	15.95 lbs
Master Pack Width	16.54"
Master Pack Height	11.02"
Master Pack Length	16.60"
Master Cubic Feet	1.75
UPS Shippable	Yes

Certification

Safety Rating	Wet
Energy Star	Yes
CA Title 24	Yes
CA Title 20	No
ADA	No
Dark Sky	N/A

Other

UPC Code	783209099852
Shades Included	N/A
Crystals Included	N/A
Diffuser Included	N/A
Conversion Kit	N/A
Material	Die Cast Aluminum

Equivalents

Incandescent Watts	82
Fluorescent Watts	N/A

Maxim Lighting International and all designs, logos and images © 2015 Maxim Lighting International. All Rights Reserved. Maxim Lighting International reserves the right, at any time, to make changes in the design and/or construction of the product including the discontinuation of product without prior notice. Color may vary from what is pictured above due to limitations inherent to photographic processes.

Always consult a qualified, licensed electrician before installation of any product weighing 35 pounds or more. We recommend that a qualified, licensed electrician do the installation. Always install to a mechanically sound structure.