



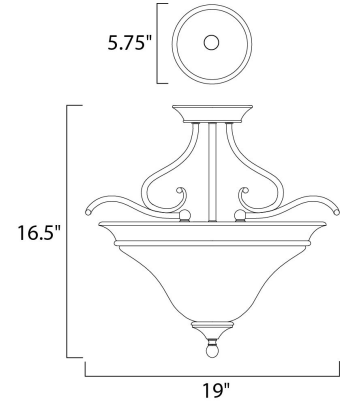
Lighting Your Life Since 1970

Product Specifications - 85802WSOI

Job Name:	Job Type:
Quantity:	Comments:



85802WSOI
Linda EE 3-Light Semi-Flush Mount



Finish

Oil Rubbed Bronze

Glass/Shade

Wilshire

Product Category

Semi-Flush Mount

Lamping

Number of Bulbs	3
Light Type	Fluorescent
Bulb Type	GU24
Max Bulb Wattage	13
Max Fixture Wattage	39
Rated Life	±10,000 Hours
Rated Lumens	±2,700
Color Temp	±2,700 K
Bulb(s)	Included
Light Up/Down	N/A
Beam Spread	N/A
CRI	81-82
Photo Cell Included	N/A
Ballast/Driver/Transformer	No
Dimmable	No

Measurements

Width	19.00"
Height	16.50"
Length	N/A
Extension	N/A
Back Plate Width	N/A
Back Plate Height	N/A
HCO	N/A
Min Overall Height	0.00"
Max Overall Height	16.50"
Hanging Weight	10.58 lbs
Height Adjustable	N/A
Slope	N/A
Chain Length	N/A
Wire Length	N/A
Canopy Width	N/A
Canopy Height	N/A
Canopy Length	N/A

Shipping

Carton Weight	11.50 lbs
Carton Width	19"
Carton Height	19"
Carton Length	19"
Carton Cubic Feet	3.74
Master Pack	1
Master Pack Weight	N/A
Master Pack Width	N/A
Master Pack Height	N/A
Master Pack Length	N/A
Master Cubic Feet	N/A
UPS Shippable	Yes

Certification

Safety Rating	Dry
Energy Star	Yes
CA Title 24	Yes
CA Title 20	No
ADA	No
Dark Sky	N/A

Other

UPC Code	783209028258
Shades Included	N/A
Crystals Included	N/A
Diffuser Included	N/A
Conversion Kit	N/A
Material	Iron

Equivalents

Incandescent Watts	245
Fluorescent Watts	N/A

Maxim Lighting International and all designs, logos and images © 2015 Maxim Lighting International. All Rights Reserved. Maxim Lighting International reserves the right, at any time, to make changes in the design and/or construction of the product including the discontinuation of product without prior notice. Color may vary from what is pictured above due to limitations inherent to photographic processes.

Always consult a qualified, licensed electrician before installation of any product weighing 35 pounds or more. We recommend that a qualified, licensed electrician do the installation. Always install to a mechanically sound structure.