



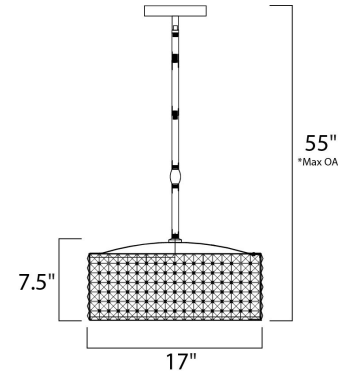
Lighting Your Life Since 1970

Product Specifications - 39934BCPC

| | |
|-----------|-----------|
| Job Name: | Job Type: |
| Quantity: | Comments: |



39934BCPC
Vision 9-Light Pendant



Finish
Polished Chrome

Glass/Shade
Beveled Crystal

Product Category
Single Pendant

Lamping

| | |
|----------------------------|----------|
| Number of Bulbs | 9 |
| Light Type | Xenon |
| Bulb Type | G9 |
| Max Bulb Wattage | 40 |
| Max Fixture Wattage | 360 |
| Rated Life | |
| Rated Lumens | ±0 |
| Color Temp | |
| Bulb(s) | Included |
| Light Up/Down | N/A |
| Beam Spread | N/A |
| CRI | N/A |
| Photo Cell Included | N/A |
| Ballast/Driver/Transformer | No |
| Dimmable | N/A |

Measurements

| | |
|--------------------|-----------|
| Width | 17.00" |
| Height | 7.50" |
| Length | N/A |
| Extension | N/A |
| Back Plate Width | N/A |
| Back Plate Height | N/A |
| HCO | N/A |
| Min Overall Height | 0.00" |
| Max Overall Height | 50.50" |
| Hanging Weight | 17.60 lbs |
| Height Adjustable | N/A |
| Slope | 120° |
| Chain Length | N/A |
| Wire Length | N/A |
| Canopy Width | N/A |
| Canopy Height | N/A |
| Canopy Length | N/A |

Shipping

| | |
|--------------------|-----------|
| Carton Weight | 22.00 lbs |
| Carton Width | 20" |
| Carton Height | 13" |
| Carton Length | 20" |
| Carton Cubic Feet | 2.91 |
| Master Pack | 1 |
| Master Pack Weight | N/A |
| Master Pack Width | N/A |
| Master Pack Height | N/A |
| Master Pack Length | N/A |
| Master Cubic Feet | N/A |
| UPS Shippable | Yes |

Certification

| | |
|---------------|-----|
| Safety Rating | Dry |
| Energy Star | No |
| CA Title 24 | No |
| CA Title 20 | No |
| ADA | No |
| Dark Sky | N/A |

Other

| | |
|-------------------|--------------|
| UPC Code | 783209007529 |
| Shades Included | N/A |
| Crystals Included | N/A |
| Diffuser Included | N/A |
| Conversion Kit | N/A |
| Material | N/A |

Equivalents

| | |
|--------------------|-----|
| Incandescent Watts | N/A |
| Fluorescent Watts | N/A |

Maxim Lighting International and all designs, logos and images © 2015 Maxim Lighting International. All Rights Reserved. Maxim Lighting International reserves the right, at any time, to make changes in the design and/or construction of the product including the discontinuation of product without prior notice. Color may vary from what is pictured above due to limitations inherent to photographic processes.

Always consult a qualified, licensed electrician before installation of any product weighing 35 pounds or more. We recommend that a qualified, licensed electrician do the installation. Always install to a mechanically sound structure.