



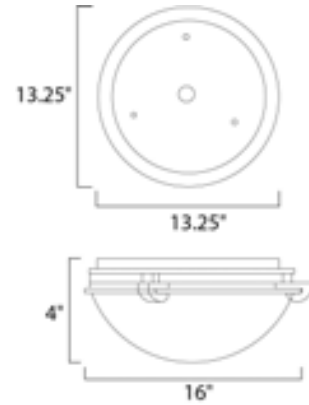
Lighting Your Life Since 1970

Product Specifications - 2681FTSN

|           |           |
|-----------|-----------|
| Job Name: | Job Type: |
| Quantity: | Comments: |



**2681FTSN**  
**Malaga 3-Light Flush Mount**



**Finish**

Satin Nickel

**Glass/Shade**

Frosted

**Product Category**

Flush Mount

**Lamping**

|                                   |              |
|-----------------------------------|--------------|
| <b>Number of Bulbs</b>            | 3            |
| <b>Light Type</b>                 | Incandescent |
| <b>Bulb Type</b>                  | MB           |
| <b>Max Bulb Wattage</b>           | 60           |
| <b>Max Fixture Wattage</b>        | 180          |
| <b>Rated Life</b>                 | ±2,500 Hours |
| <b>Rated Lumens</b>               | ±2,016       |
| <b>Color Temp</b>                 | ±2,700 K     |
| <b>Bulb(s)</b>                    | Not Included |
| <b>Light Up/Down</b>              | N/A          |
| <b>Beam Spread</b>                | N/A          |
| <b>CRI</b>                        | N/A          |
| <b>Photo Cell Included</b>        | N/A          |
| <b>Ballast/Driver/Transformer</b> | No           |
| <b>Dimmable</b>                   | Standard     |

**Measurements**

|                           |          |
|---------------------------|----------|
| <b>Width</b>              | 16.00"   |
| <b>Height</b>             | 4.00"    |
| <b>Length</b>             | N/A      |
| <b>Extension</b>          | N/A      |
| <b>Back Plate Width</b>   | 13.25"   |
| <b>Back Plate Height</b>  | 13.25"   |
| <b>HCO</b>                | N/A      |
| <b>Min Overall Height</b> | 0.00"    |
| <b>Max Overall Height</b> | N/A      |
| <b>Hanging Weight</b>     | 4.85 lbs |
| <b>Height Adjustable</b>  | N/A      |
| <b>Slope</b>              | N/A      |
| <b>Chain Length</b>       | N/A      |
| <b>Wire Length</b>        | N/A      |
| <b>Canopy Width</b>       | N/A      |
| <b>Canopy Height</b>      | N/A      |
| <b>Canopy Length</b>      | N/A      |

**Shipping**

|                           |          |
|---------------------------|----------|
| <b>Carton Weight</b>      | 5.78 lbs |
| <b>Carton Width</b>       | 18"      |
| <b>Carton Height</b>      | 7"       |
| <b>Carton Length</b>      | 18"      |
| <b>Carton Cubic Feet</b>  | 1.28     |
| <b>Master Pack</b>        | 1        |
| <b>Master Pack Weight</b> | N/A      |
| <b>Master Pack Width</b>  | N/A      |
| <b>Master Pack Height</b> | N/A      |
| <b>Master Pack Length</b> | N/A      |
| <b>Master Cubic Feet</b>  | N/A      |
| <b>UPS Shippable</b>      | Yes      |

**Certification**

|                      |     |
|----------------------|-----|
| <b>Safety Rating</b> | Dry |
| <b>Energy Star</b>   | No  |
| <b>CA Title 24</b>   | No  |
| <b>CA Title 20</b>   | No  |
| <b>ADA</b>           | No  |
| <b>Dark Sky</b>      | N/A |

**Other**

|                          |              |
|--------------------------|--------------|
| <b>UPC Code</b>          | 783209112254 |
| <b>Shades Included</b>   | N/A          |
| <b>Crystals Included</b> | N/A          |
| <b>Diffuser Included</b> | N/A          |
| <b>Conversion Kit</b>    | N/A          |
| <b>Material</b>          | Iron         |

**Equivalents**

|                           |     |
|---------------------------|-----|
| <b>Incandescent Watts</b> | N/A |
| <b>Fluorescent Watts</b>  | N/A |

Maxim Lighting International and all designs, logos and images © 2015 Maxim Lighting International. All Rights Reserved. Maxim Lighting International reserves the right, at any time, to make changes in the design and/or construction of the product including the discontinuation of product without prior notice. Color may vary from what is pictured above due to limitations inherent to photographic processes.

Always consult a qualified, licensed electrician before installation of any product weighing 35 pounds or more. We recommend that a qualified, licensed electrician do the installation. Always install to a mechanically sound structure.