



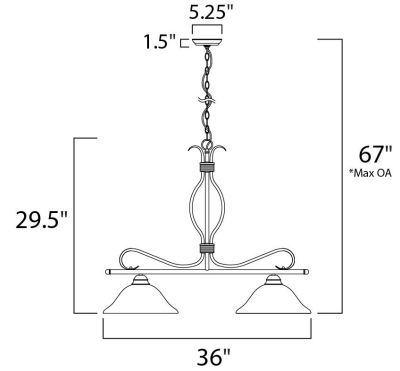
Lighting Your Life Since 1970

Product Specifications - 10126ICSN

Job Name:	Job Type:
Quantity:	Comments:



10126ICSN
Basix 2-Light Pendant



Finish
Satin Nickel

Glass/Shade
Ice

*max overall height
Product Category
Island Pendant

Lamping

Number of Bulbs	2
Light Type	Incandescent
Bulb Type	MB
Max Bulb Wattage	100
Max Fixture Wattage	200
Rated Life	±2,500 Hours
Rated Lumens	±2,300
Color Temp	±2,700 K
Bulb(s)	Not Included
Light Up/Down	N/A
Beam Spread	N/A
CRI	N/A
Photo Cell Included	N/A
Ballast/Driver/Transformer	No
Dimmable	Standard

Measurements

Width	36.00"
Height	29.50"
Length	13.00"
Extension	N/A
Back Plate Width	N/A
Back Plate Height	N/A
HCO	N/A
Min Overall Height	0.00"
Max Overall Height	29.84"
Hanging Weight	9.20 lbs
Height Adjustable	N/A
Slope	N/A
Chain Length	36"
Wire Length	180"
Canopy Width	5.25"
Canopy Height	1.50"
Canopy Length	5.25"

Shipping

Carton Weight	14.72 lbs
Carton Width	15"
Carton Height	11"
Carton Length	36"
Carton Cubic Feet	3.24
Master Pack	1
Master Pack Weight	N/A
Master Pack Width	N/A
Master Pack Height	N/A
Master Pack Length	N/A
Master Cubic Feet	N/A
UPS Shippable	Yes

Certification

Safety Rating	Dry
Energy Star	No
CA Title 24	No
CA Title 20	No
ADA	No
Dark Sky	N/A

Other

UPC Code	783209025905
Shades Included	N/A
Crystals Included	N/A
Diffuser Included	N/A
Conversion Kit	N/A
Material	Iron

Equivalents

Incandescent Watts	N/A
Fluorescent Watts	N/A

Maxim Lighting International and all designs, logos and images © 2015 Maxim Lighting International. All Rights Reserved. Maxim Lighting International reserves the right, at any time, to make changes in the design and/or construction of the product including the discontinuation of product without prior notice. Color may vary from what is pictured above due to limitations inherent to photographic processes.

Always consult a qualified, licensed electrician before installation of any product weighing 35 pounds or more. We recommend that a qualified, licensed electrician do the installation. Always install to a mechanically sound structure.