

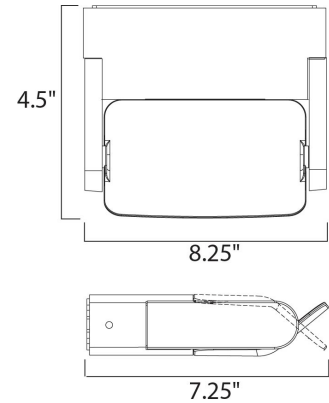


Product Specifications for E41414-PL

Job Name:	Job Type:
Quantity:	Comments:



E41414-PL
Alumilux DC 3-Light LED Wall Sconce



Finish
Platinum

Glass/Shade

Product Category
Outdoor Wall Mount

Lamping

Number of Bulb(s)	3
Light Type	LED
Bulb Type	LED
Max Bulb Wattage	1
Max Fixture Wattage	3
Rated Life	N/A
Rated Lumens	±210
Color Temp	±3,000 K
Bulb(s) Included	Yes
Light Up/Down	N/A
Beam Spread	N/A
CRI	N/A
Photo Cell Included	N/A
Ballast/Driver/Transformer	Yes
Dimmable	N/A

Measurements

Width	8.25"
Height	4.50"
Length	N/A
Extension	7.50"
Back Plate Width	N/A
Back Plate Height	N/A
HCO	4.75"
Min Overall Height	N/A
Max Overall Height	N/A
Hanging Weight	2.20 lb(s)
Height Adjustable	N/A
Slope	N/A
Chain Length	N/A
Wire Length	N/A
Canopy Width	N/A
Canopy Height	N/A
Canopy Length	N/A

Shipping

Carton Weight	2.43 lb(s)
Carton Width	2.17"
Carton Height	7.68"
Carton Length	8.46"
Carton Cubic Feet	N/A
Master Pack	6
Master Pack Weight	15.43 lb(s)
Master Pack Width	9.06"
Master Pack Height	8.27"
Master Pack Length	14.17"
Master Cubic Feet	N/A
UPS Shippable	Yes

Certification

Safety Rating	Wet
Energy Star	No
CA Title 24	No
CA Title 20	No
ADA	No

Other

UPC Code	845094073833
Material	N/A

Equivalents

Incandescent Watts	N/A
Fluorescent Watts	N/A

ET2 Contemporary Lighting and all designs, logos and images © 2015 ET2 Contemporary Lighting. All Rights Reserved. ET2 Contemporary Lighting reserves the right, at any time, to make changes in the design and/or construction of the product including the discontinuation of product without prior notice. Color may vary from what is pictured above due to limitations inherent to photographic processes. Always consult a qualified, licensed electrician before installation of any product weighing 35 pounds or more. We recommend that a qualified, licensed electrician do the installation. Always install to a mechanically sound structure.