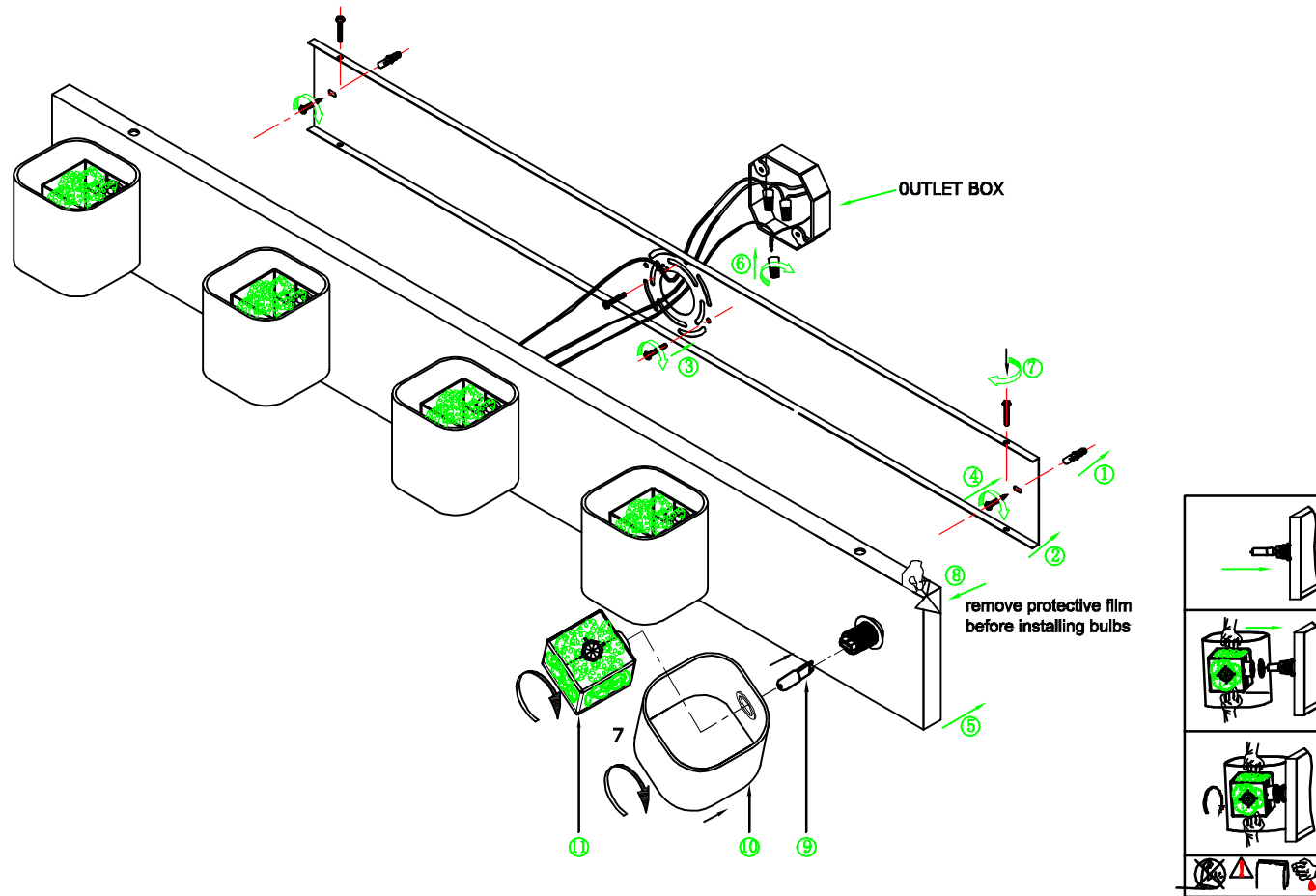


INSTALLATION INSTRUCTION

E22835-18PCPC



FEATURE

- Lamp Type: G9 5×MAX 60W 120V~ 60HZ
- The lamp is for indoor use only