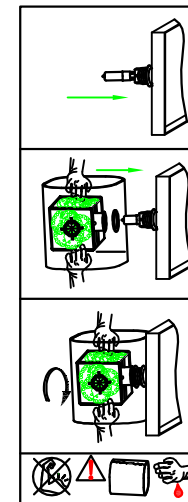
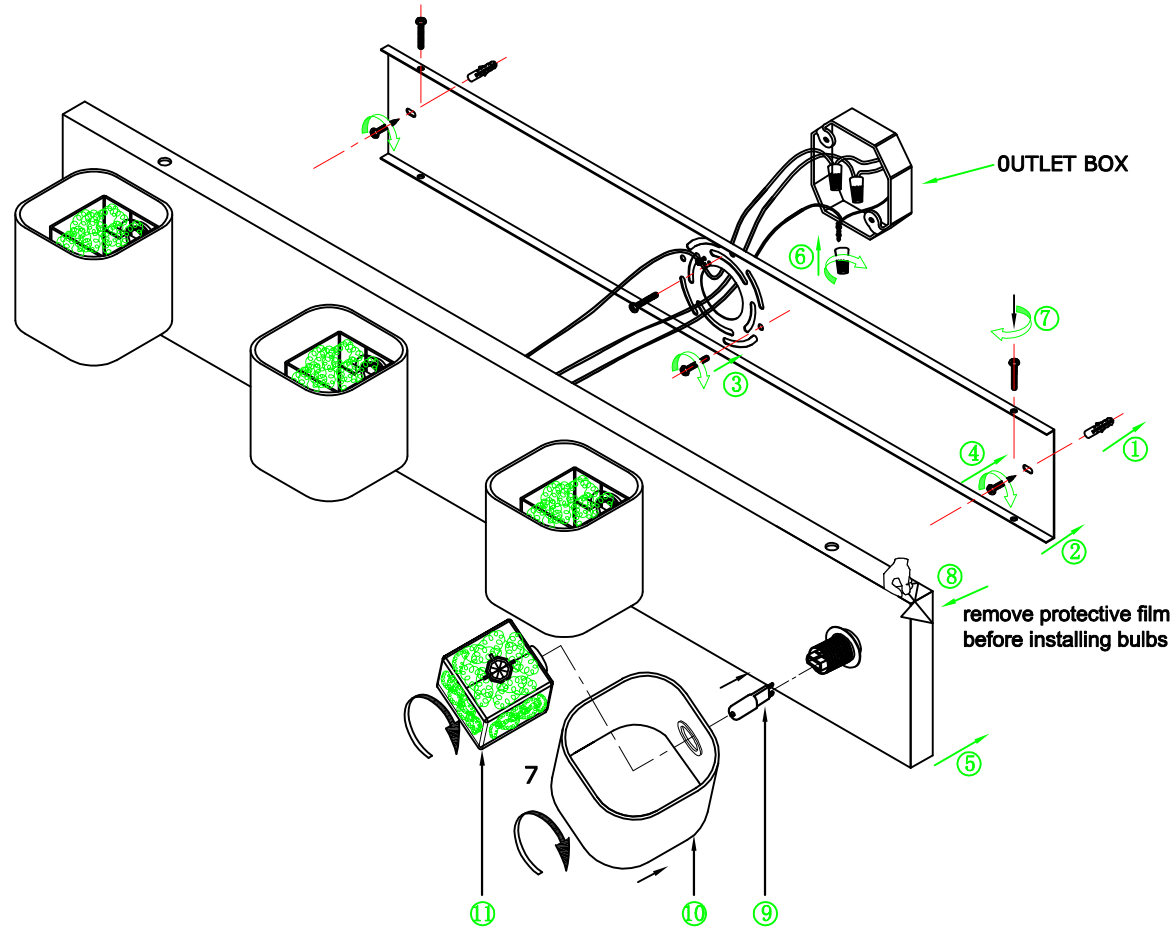


# INSTALLATION INSTRUCTION

## E22834-PCPC



### FEATURE

- Lamp Type: G9 4 × MAX 60W 120V ~ 60HZ
- The lamp is for indoor use only