

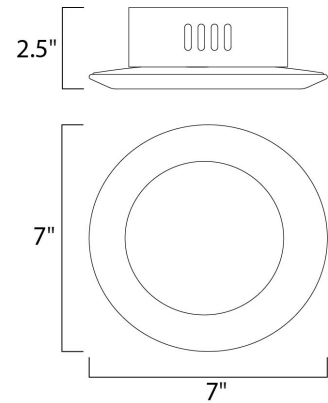


Product Specifications for E21160-01BZ

Job Name:	Job Type:
Quantity:	Comments:



**E21160-01BZ**  
Hilite 1-Light LED Wall Mount



**Finish**  
Bronze

**Glass/Shade**  
White

**Product Category**  
Wall Sconce

**Lamping**

Number of Bulb(s)	1
Light Type	LED
Bulb Type	LED
Max Bulb Wattage	10.8
Max Fixture Wattage	10.8
Rated Life	N/A
Rated Lumens	±972
Color Temp	N/A
Bulb(s) Included	Yes
Light Up/Down	N/A
Beam Spread	N/A
CRI	N/A
Photo Cell Included	N/A
Ballast/Driver/Transformer	No
Dimmable	Yes

**Measurements**

Width	7.00"
Height	2.50"
Length	7.00"
Extension	N/A
Back Plate Width	N/A
Back Plate Height	N/A
HCO	2.40"
Min Overall Height	N/A
Max Overall Height	N/A
Hanging Weight	1.54 lb(s)
Height Adjustable	Yes
Slope	N/A
Chain Length	N/A
Wire Length	N/A
Canopy Width	N/A
Canopy Height	N/A
Canopy Length	N/A

**Shipping**

Carton Weight	1.98 lb(s)
Carton Width	5.07"
Carton Height	9.56"
Carton Length	9.36"
Carton Cubic Feet	N/A
Master Pack	10
Master Pack Weight	22.00 lb(s)
Master Pack Width	10.14"
Master Pack Height	20.67"
Master Pack Length	27.69"
Master Cubic Feet	N/A
UPS Shippable	Yes

**Certification**

Safety Rating	Dry
Energy Star	No
CA Title 24	No
CA Title 20	No
ADA	No

**Other**

UPC Code	845094074786
Material	N/A

**Equivalents**

Incandescent Watts	N/A
Fluorescent Watts	N/A

ET2 Contemporary Lighting and all designs, logos and images © 2015 ET2 Contemporary Lighting. All Rights Reserved. ET2 Contemporary Lighting reserves the right, at any time, to make changes in the design and/or construction of the product including the discontinuation of product without prior notice. Color may vary from what is pictured above due to limitations inherent to photographic processes. Always consult a qualified, licensed electrician before installation of any product weighing 35 pounds or more. We recommend that a qualified, licensed electrician do the installation. Always install to a mechanically sound structure.