

ALUMILUX™ I WALL SCONCE

E41330

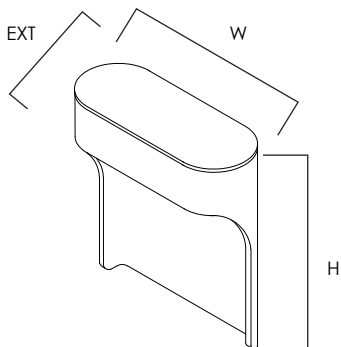
- ETL/cETL IP65
- Suitable for air-handling use
- LED 3000K, CRI 90+
- Wet Location
- Title 24 for outdoor use

Job Name : _____
Job Type : _____
Quantity : _____
Comments : _____



PRODUCT DESCRIPTION

Bring the outdoors inside with our line of Architectural high quality interior and exterior wall sconces. European in design and machined out of blocks of solid Aluminum, these sconces have both the look and quality expected for the discriminate buyer. High powered LEDs create dramatic light effects and most are approved for wet location applications.



MEASUREMENT

DIMENSIONS : 6.25"W x 7.75"H x 2.25"EXT
HANGING WEIGHT : 2.86 Lb
HCO : 4.75"
BP WIDTH : 3.67"
BP HEIGHT : 0.63"
MAX OH : 2.25"

LAMPING

INPUT VOLTAGE : 120V
LUMENS : 560 Rated (337 Delivered)
BULB : (1) 8W PCB LED (Integrated)
DIMMABLE : ELV
CRI : 90+
COLOR TEMPERATURE: 3000K

FINISHES OPTIONS:

Bronze (BZ)
Satin Aluminum (SA)
White (WT)



MATERIAL:

Aluminum

AVAILABLE MODELS:

E41460 | E41463 | E41464 | E41465

RATINGS:

ETL cETL IP65
Wet Location
Title 24 (For Outdoor use)
ADA



ADDITIONAL:

RATED LIFE: 50,000 Hours
OPERATING TEMP: -20° C (-4°), 40° C (104° F)
PHOTOMETRIC: Report Found Online
PCB LED Included
LIGHTING DIRECTION: Down

Always consult a qualified electrician before installing any lighting product



Contemporary
Lighting™