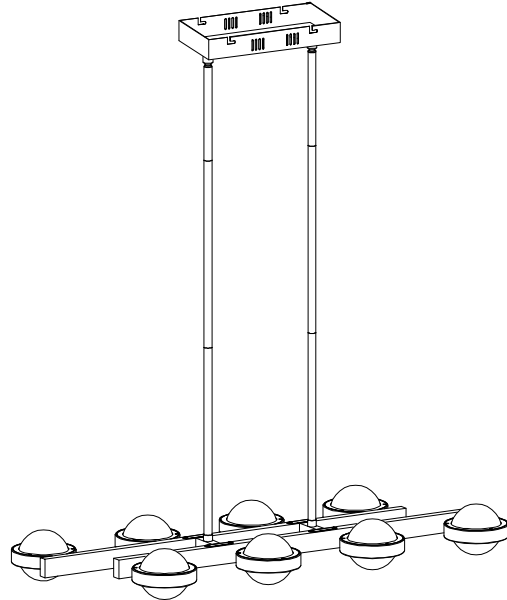




Contemporary Lighting

PRODUCT NAME: Cosmo
ITEM NUMBER: E30618

Please consult your electrician for hanging fixture and wiring.



The fixture is designed to dim with a standard Triac forward phase dimmer. Dimming levels will vary by dimmer.
Below is a list of recommended dimmers:

Lutron MACL-153M
Lutron DVL-153P
Lutron SCL-153P
Leviton IPL06-10Z
Leviton 6674-POW

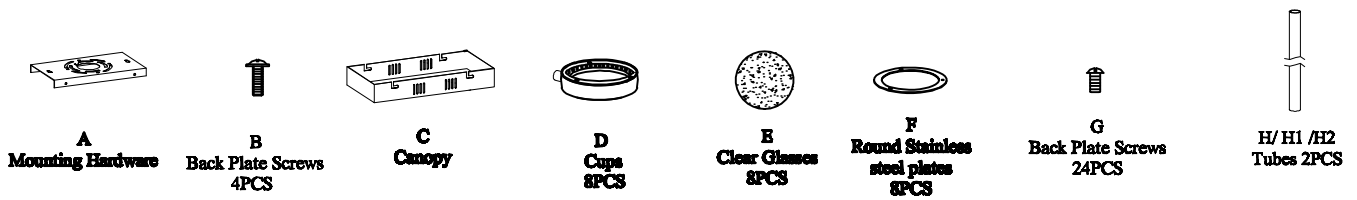
Due to the inrush current wattage should not exceed 150 watts of product for a 600 watt dimmer.

WARNING: Wires need to be connected to driver found in canopy and should not be connected directly to power source or a short may occur

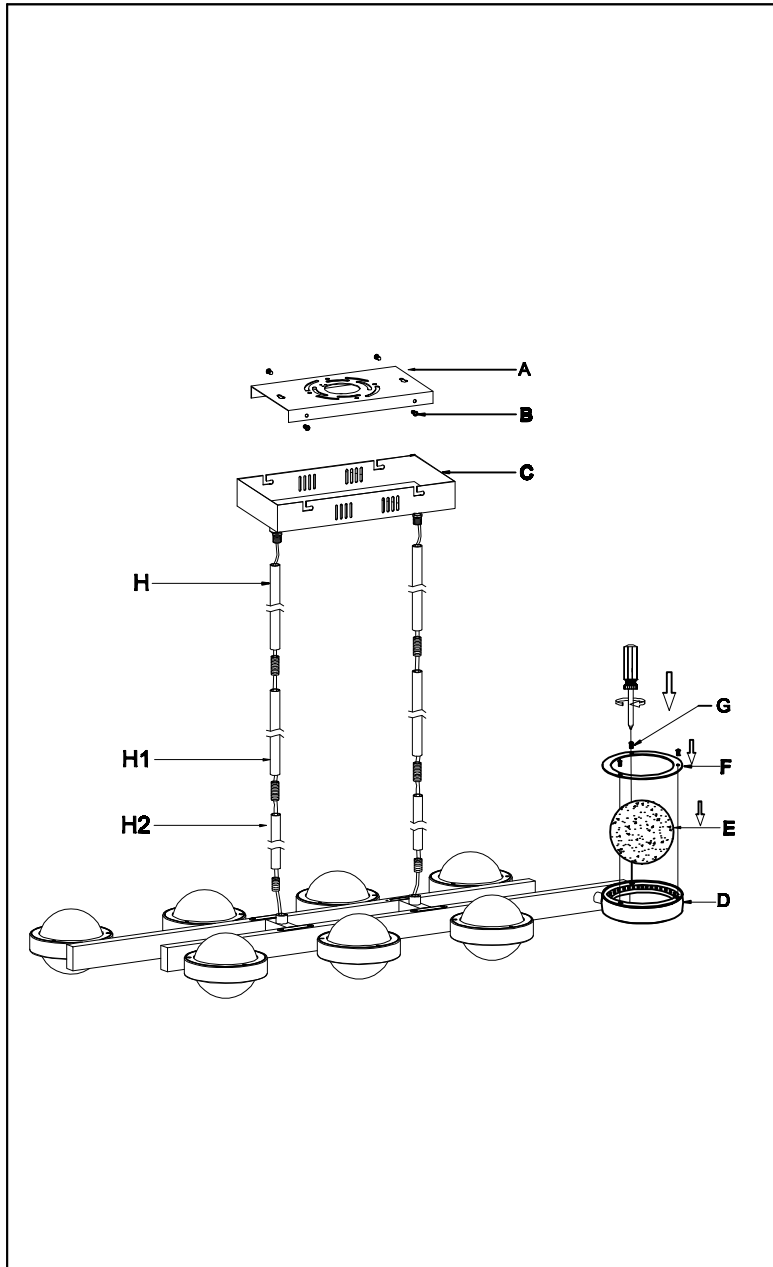
LED 8 x 4.5W Bulbs

MADE IN CHINA
Page 1 of (3)

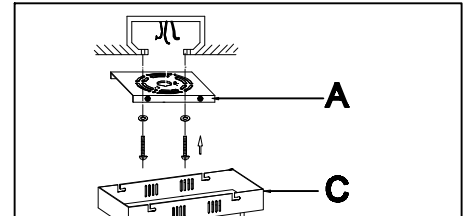
IMPORTANT: Turn OFF the power at the main fuse or circuit breaker box before starting installation



Locate all hardware & components before discarding packaging

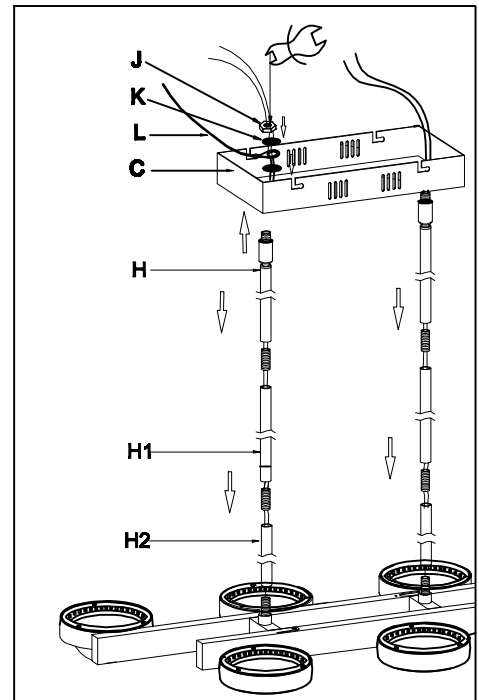


1.)



Step.1: Remove mounting bracket (A) from back plate (C) and install to electrical box.

2.)

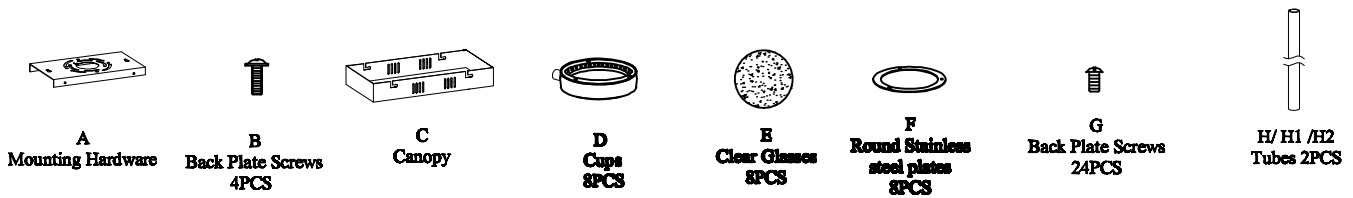


Step.2: Run wire through stems and combine stem lengths to meet desired mounting height. Connect canopy to stem using washer (L) lock washer (K) and hexnut (J) to secure.

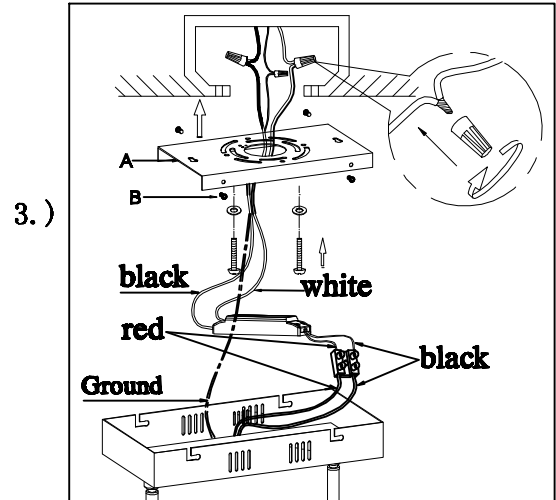
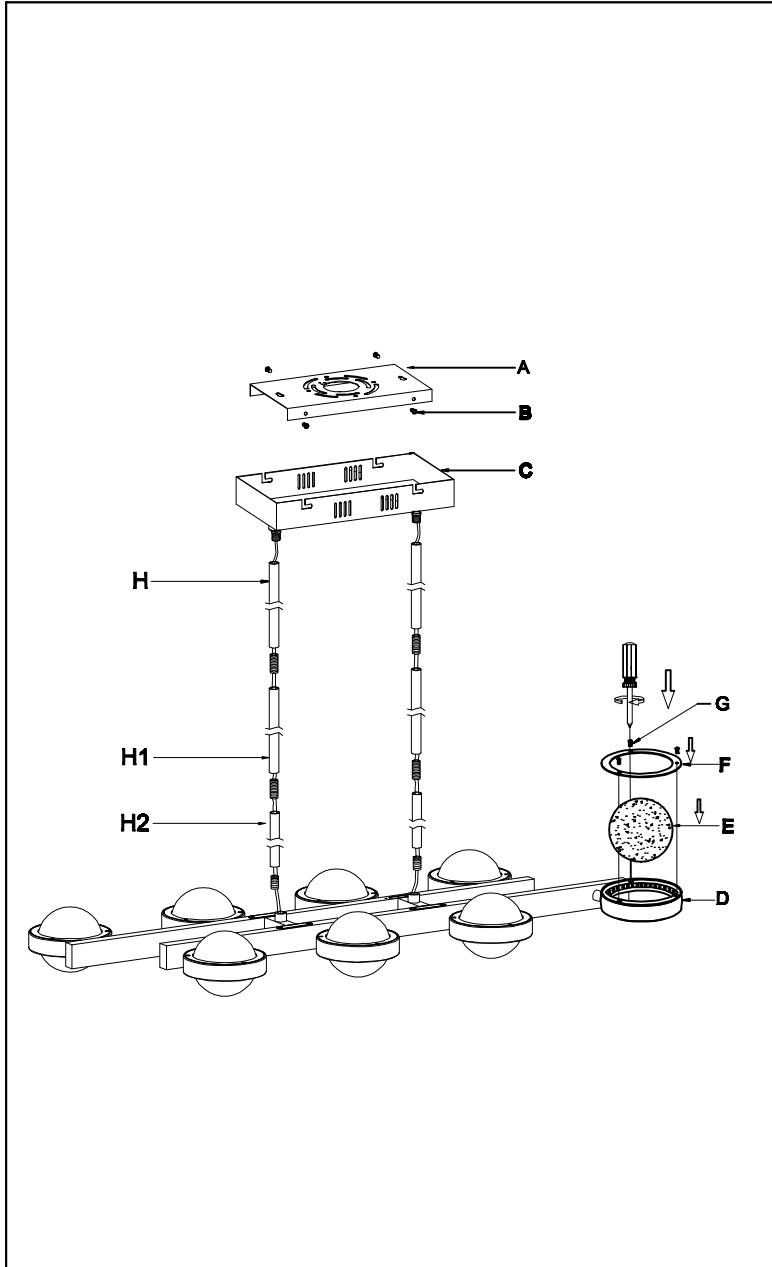
Cleaning & Care:

**Clean with soft cloth and a mild detergent.
 Do not use abrasive cleaner.**

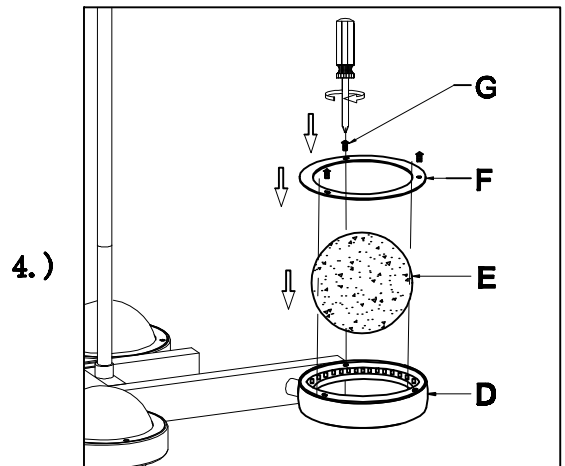
IMPORTANT: Turn OFF the power at the main fuse or circuit breaker box before starting installation



Locate all hardware & components before discarding packaging



Step.3: Wire the fixture using the terminal block. The low voltage wires from the driver are already connected. Connect the black wire to the fixture's black wire and red wire to the fixture's red wire. Install the fixture to the mounting bracket using screws (B) provided.



Step.4: Place bubble glass sphere (F) into cup and secure using ring (G).

Cleaning & Care:

**Clean with soft cloth and a mild detergent.
 Do not use abrasive cleaner.**