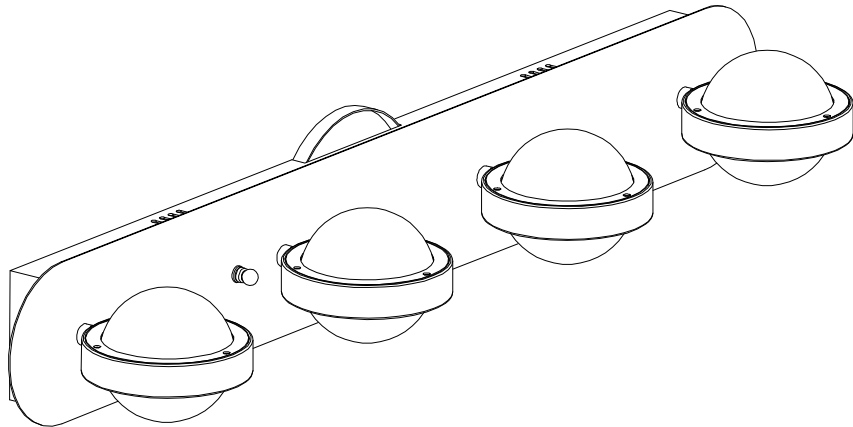




# Contemporary Lighting

**PRODUCT NAME: Cosmo**  
**ITEM NUMBER: E30614**

**Please consult your electrician for hanging fixture and wiring.**



**The fixture is designed to dim with a standard Triac forward phase dimmer. Dimming levels will vary by dimmer.**

**Below is a list of recommended dimmers:**

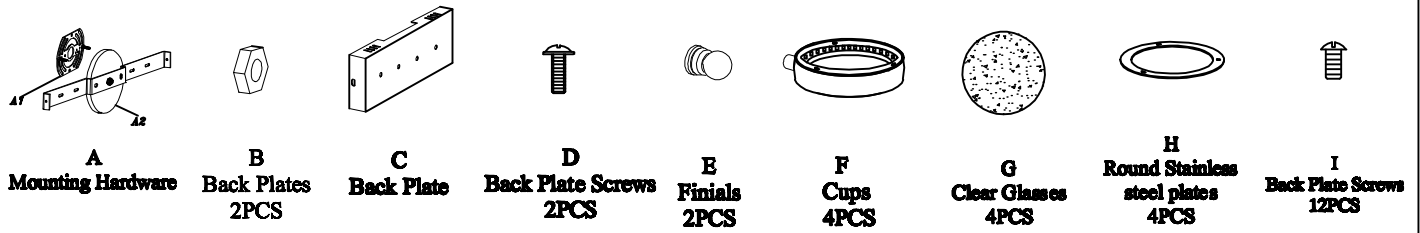
**Lutron MACL-153M  
Lutron DVL-153P  
Lutron SCL-153P  
Leviton IPL06-10Z  
Leviton 6674-POW**

**Due to the inrush current wattage should not exceed 150 watts of product for a 600 watt dimmer.**

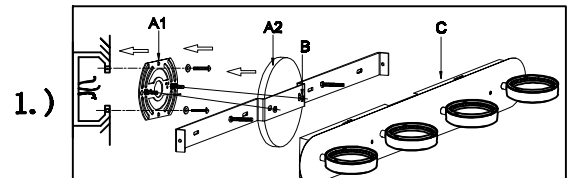
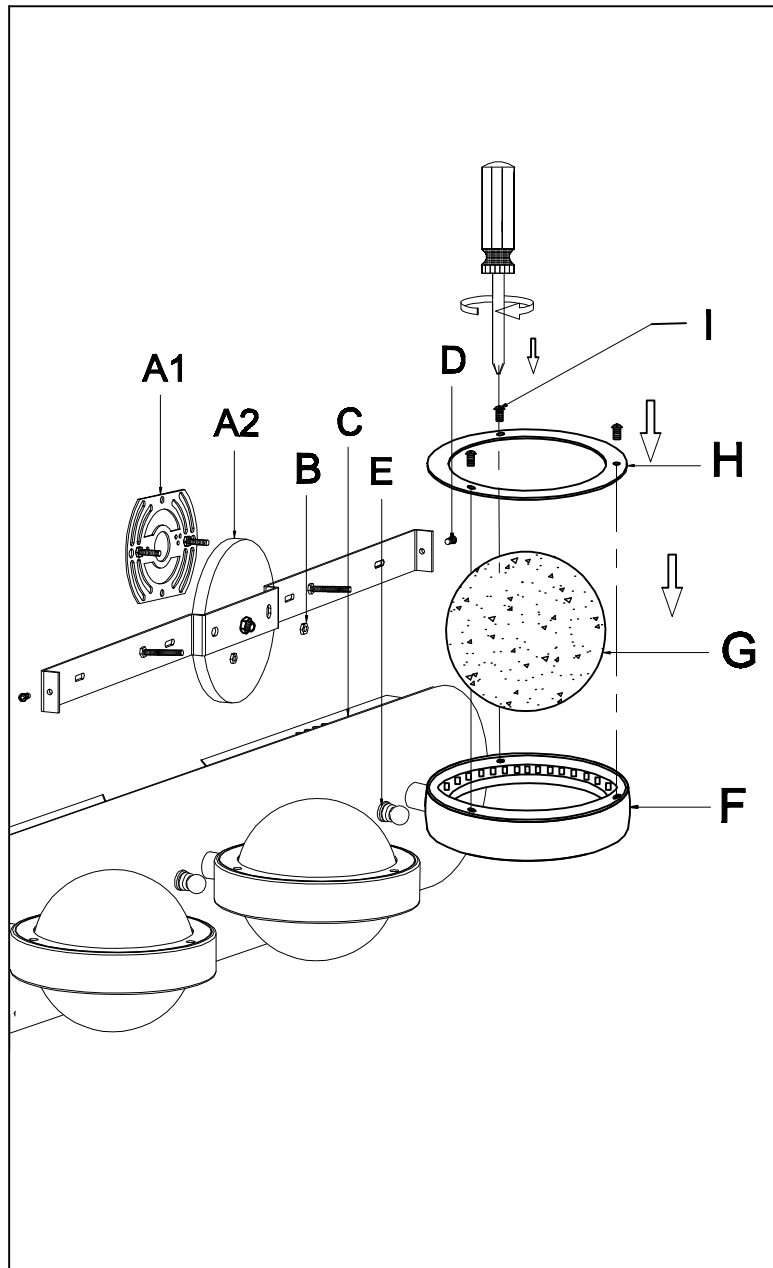
**WARNING: Wires need to be connected to driver found in canopy and should not be connected directly to power source or a short may occur**

## LED 4 x 4.5W Bulbs

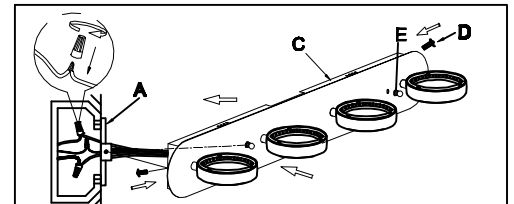
**IMPORTANT: Turn OFF the power at the main fuse or circuit breaker box before starting installation**



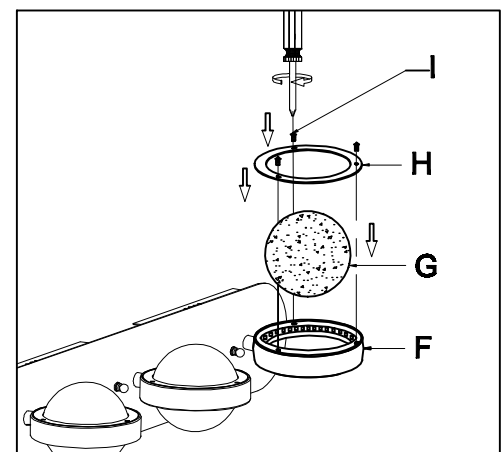
**Locate all hardware & components before discarding packaging**



**Step.1: Remove mounting bracket (A) from back plate (B) and install to electrical box. Use anchor screws provided through mounting bracket (A2) for extra support.**



**Step.2: Wire fixture to wires in outlet box. Make sure connections are made in accordance with NEC. Install the fixture (C) to the mounting bracket (A) using screws (D) to secure.**



**Step.3: Place bubble glass sphere (F) into cup and secure using ring (G).**

**Cleaning & Care:**

**Clean with soft cloth and a mild detergent.  
Do not use abrasive cleaner.**