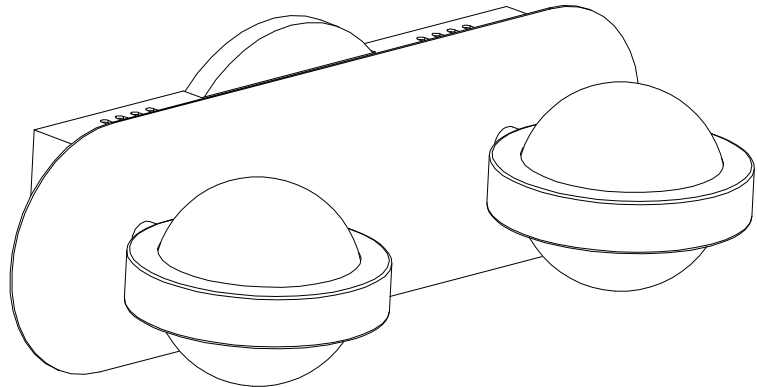




Contemporary Lighting

PRODUCT NAME: Cosmo
ITEM NUMBER: E30612

Please consult your electrician for hanging fixture and wiring.



The fixture is designed to dim with a standard Triac forward phase dimmer. Dimming levels will vary by dimmer.

Below is a list of recommended dimmers:

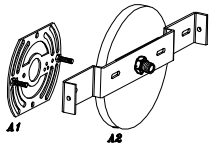
- Lutron MACL-153M**
- Lutron DVL-153P**
- Lutron SCL-153P**
- Leviton IPL06-10Z**
- Leviton 6674-POW**

Due to the inrush current wattage should not exceed 150 watts of product for a 600 watt dimmer.

WARNING: Wires need to be connected to driver found in canopy and should not be connected directly to power source or a short may occur

LED 2 x 4.5W Bulbs

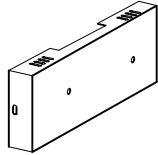
IMPORTANT: Turn OFF the power at the main fuse or circuit breaker box before starting installation



A
Mounting Hardware



B
Back Plates
2PCS



C
Back Plate



D
Back Plate Screws
2PCS



E
Cups
2PCS



F
Clear Glasses
2PCS

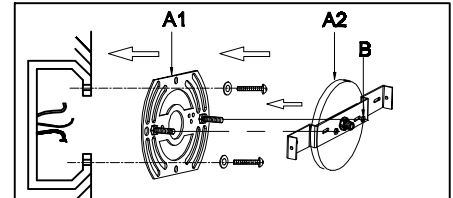
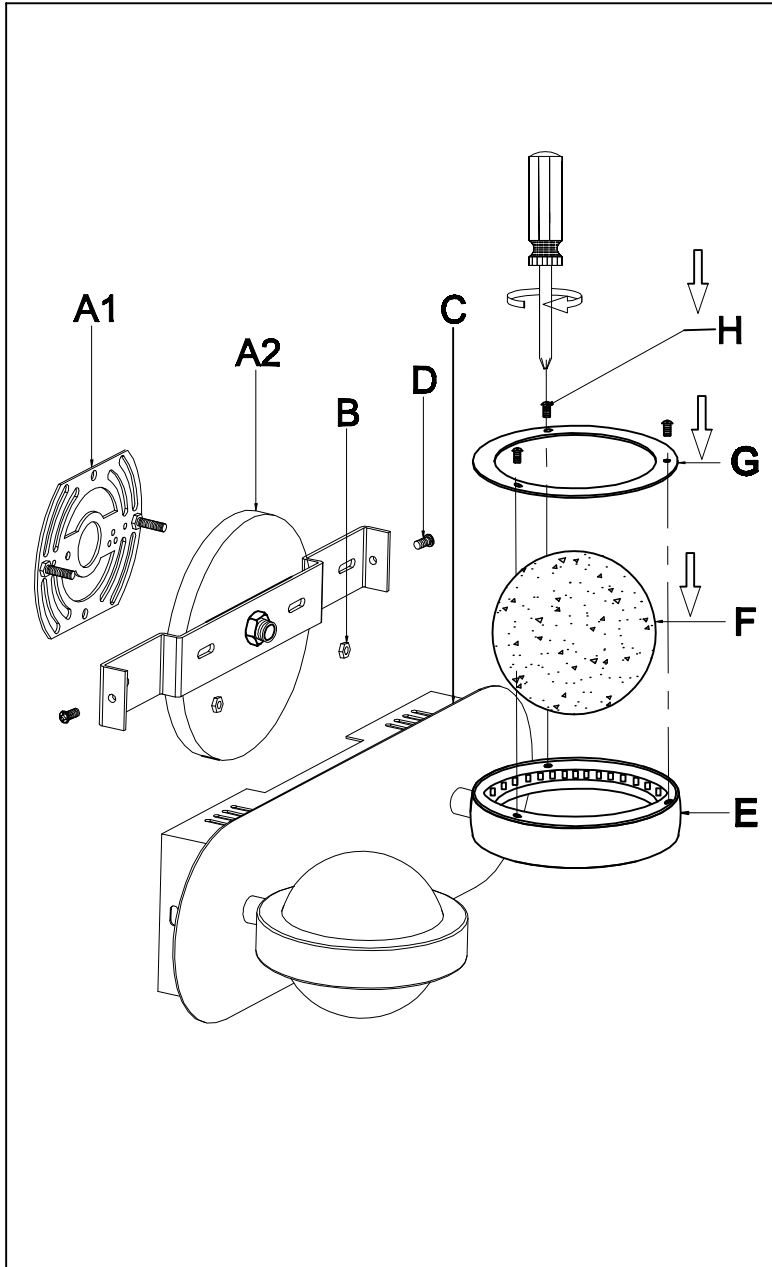


G
Round Stainless
steel plates 2PCS



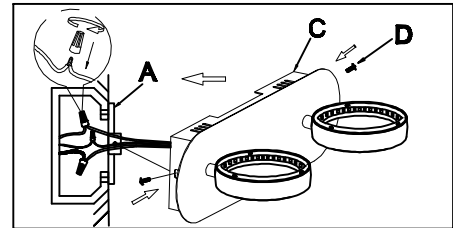
H
Back Plate Screws
6PCS

Locate all hardware & components before discarding packaging



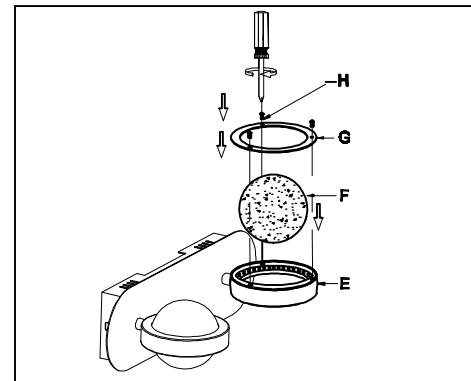
1.)

Step.1: Remove mounting bracket (A) from back plate (B) and install to electrical box. Use anchor screws provided through mounting bracket (A2) for extra support.



2.)

Step.2: Wire fixture to wires in outlet box. Make sure connections are made in accordance with NEC. Install the fixture (C) to the mounting bracket (A) using screws (D) to secure.



3.)

Step.3: Place bubble glass sphere (F) into cup and secure using ring (G).

Cleaning & Care:

**Clean with soft cloth and a mild detergent.
Do not use abrasive cleaner.**