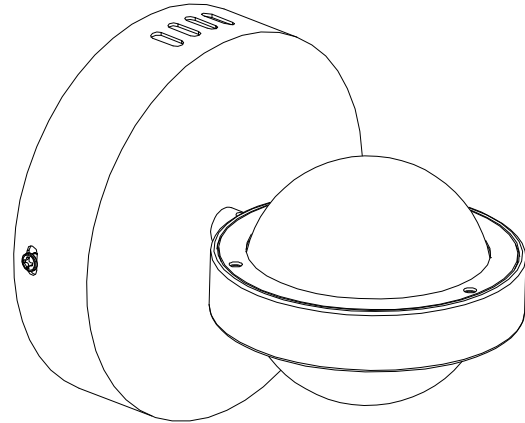


Contemporary Lighting

PRODUCT NAME: Cosmo
ITEM NUMBER: E30611

Please consult your electrician for hanging fixture and wiring.



The fixture is designed to dim with a standard Triac forward phase dimmer. Dimming levels will vary by dimmer. Below is a list of recommended dimmers:

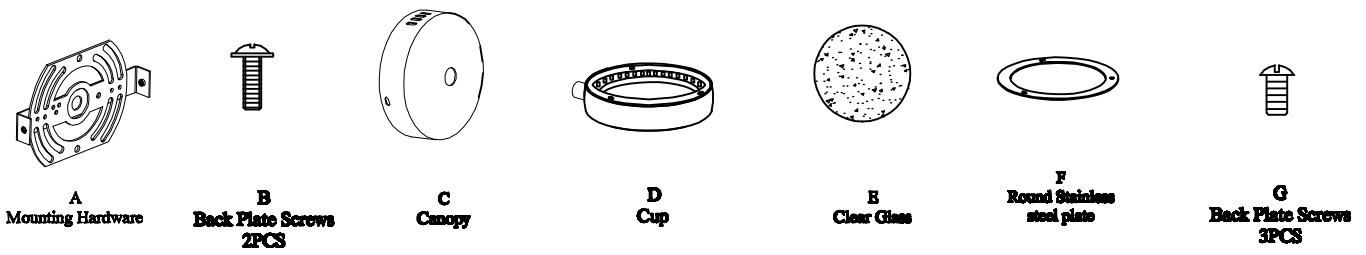
**Lutron MACL-153M
Lutron DVL-153P
Lutron SCL-153P
Leviton IPL06-10Z
Leviton 6674-POW**

Due to the inrush current wattage should not exceed 150 watts of product for a 600 watt dimmer.

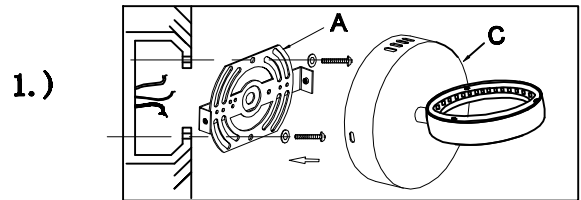
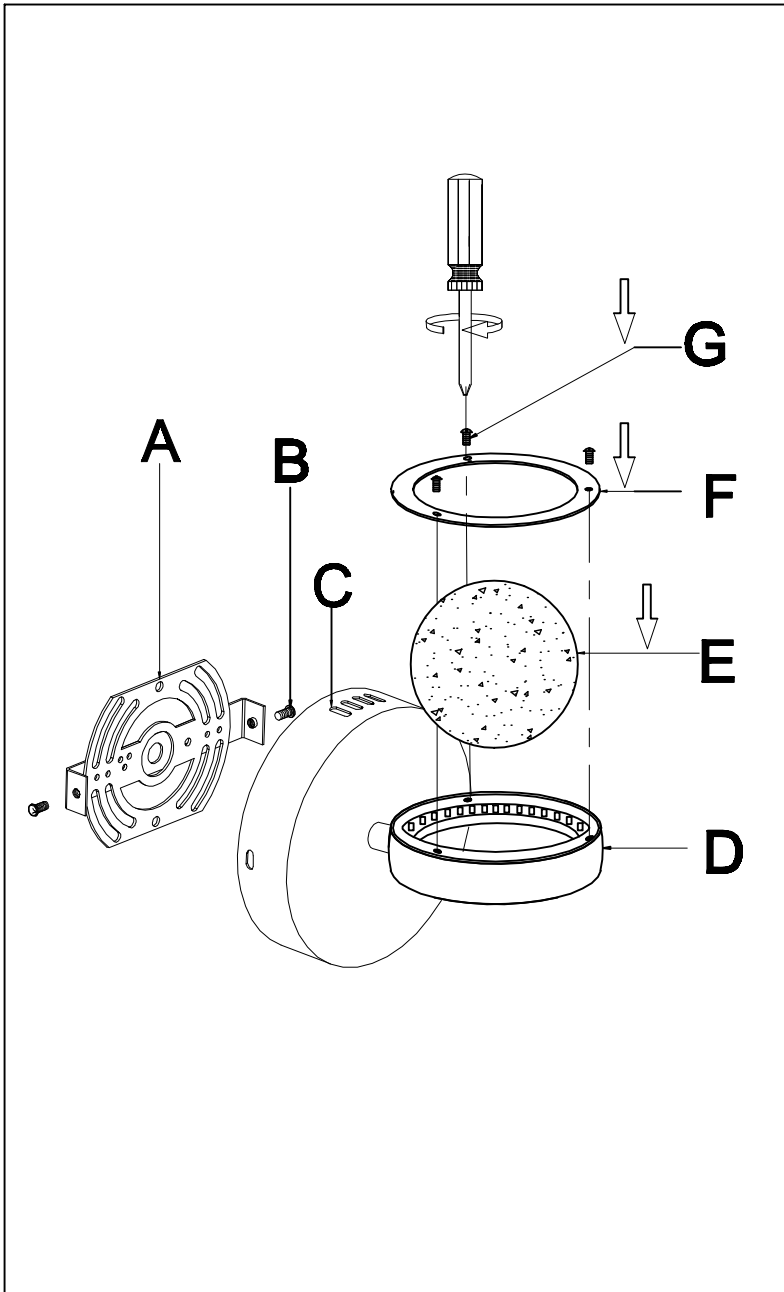
WARNING: Wires need to be connected to driver found in canopy and should not be connected directly to power source or a short may occur

LED 1x4.5W Bulb

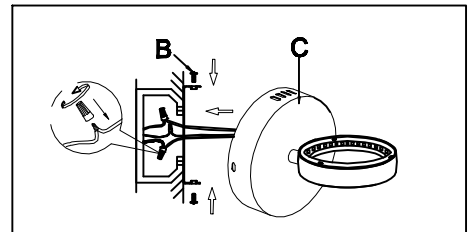
IMPORTANT: Turn OFF the power at the main fuse or circuit breaker box before starting installation



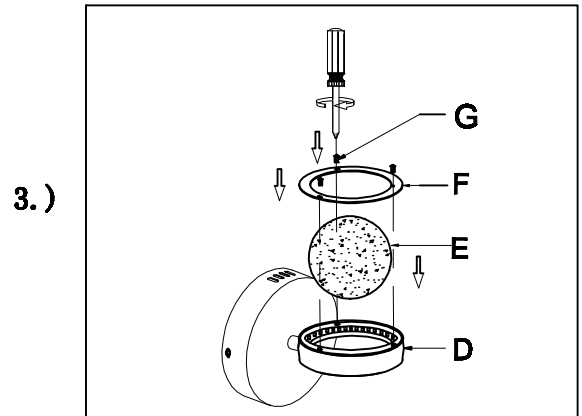
Locate all hardware & components before discarding packaging



Step.1: Remove mounting bracket (A) from back plate (C) and install to electrical box.



Step.2: Wire fixture to wires in outlet box. Make sure connections are made in accordance with NEC. Install the fixture (C) to the mounting bracket (A) using screws (D) to secure.



Step.3: Place bubble glass sphere (F) into cup and secure using ring (G).

Cleaning & Care:

**Clean with soft cloth and a mild detergent.
Do not use abrasive cleaner.**