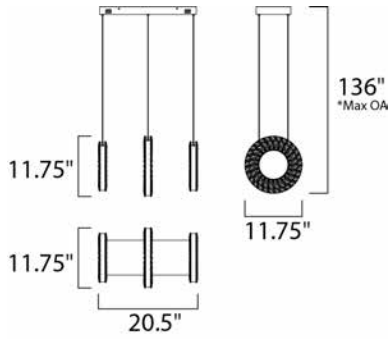




PRODUCT DESCRIPTION

Rings of Beveled Crystals are mounted into a Polished Chrome band and suspended from cable as if they were floating in air. Multiple size rings mounted in descending order create a unique and brilliant light form which is sure to be the focal point of the room.



*max overall height

MEASUREMENTS

DIMENSION : 20.5" L x 11.75" W x 11.75" H
 MAX OAH : 136" OAH
 HANGING WEIGHT : 14.3 lb

LAMPING

INPUT VOLTAGE : 120V
 LUMENS : 3,192 Rated (2,500 Del.)
 BULB : 3 x 45.6W LED PCB Integrated , 46W Total
 BULB INCLUDED : (Integrated)
 DIMMABLE : Triac CL
 CRI : 90+ CRI
 COLOR_TEMP : 3000K

FINISHES OPTION

 Polished Chrome

GLASS

Crystal 20

MATERIAL

Steel, Aluminum, Crystal

RATINGS

cETLus
 Dry Location



ADDITIONAL

ADJUSTABLE
 RATED LIFE 25000 Hours
 OPERATING TEMPERATURE:
 -20°C (-4°F), 40°C (104°F)

Always consult a qualified electrician before installing any lighting product.



Contemporary Lighting™