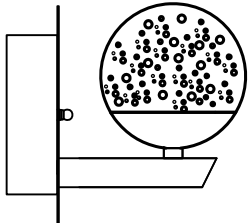




# Contemporary Lighting

PRODUCT NAME: Orb II 1 Light LED Wall Mount  
ITEM NUMBER: E24260-91PC

Please consult your electrician for hanging fixture and wiring



The fixture is designed with a standard Triac forward phase dimmer. Dimming levels will vary by dimmer.

Below is a list of recommended dimmers:  
Lutron MACL-153M  
Lutron DVL-153P  
Lutron SCL-153P  
Leviton IPL06-10Z  
Leviton 6674-POW

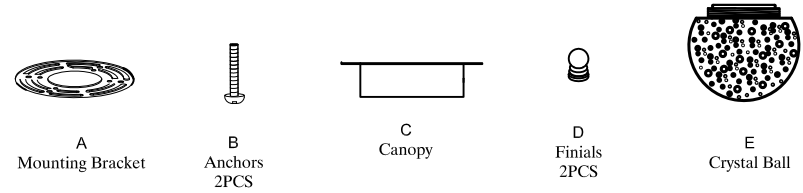
Due to inrush current wattage should not exceed 150 watts of product for a 600 watt dimmer.

**WARNING:** Wires need to be connected to driver found in canopy and should not connect directly to power source or a short might occur.

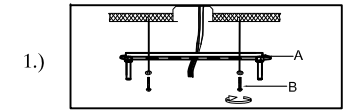
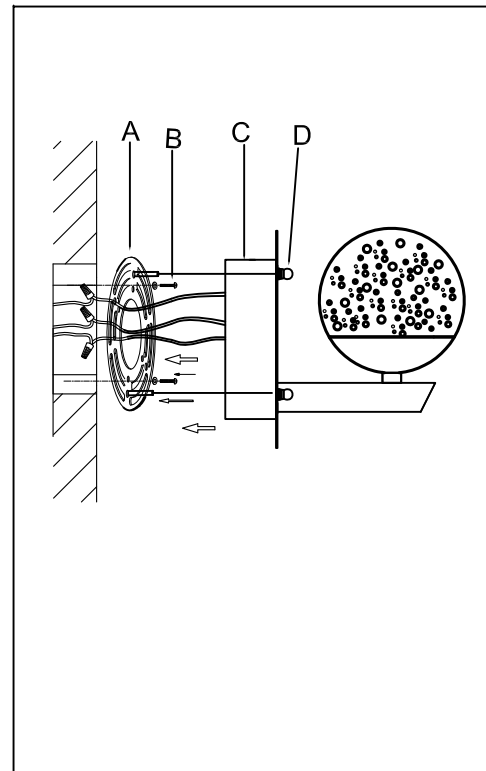
**LED 1 x 5W Bulb**

MADE IN CHINA  
Page 1 of (2)

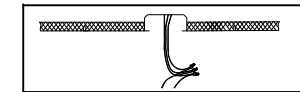
**IMPORTANT:** Turn off the power at the main fuse or circuit breaker box before starting installation



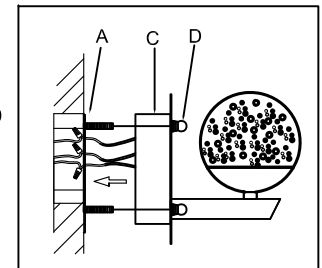
Locate all hardware & components before discarding packaging



1.) Step 1: Remove mounting bracket (A) from Canopy (C) and install bracket (A) to electrical box by attaching anchors (B).



2.) Step 2: Wire fixture to wires in outlet box. Black wire is positive, white is neutral, Copper wire is for Ground.



3.) Step 3: Install the fixture (C) to the mounting bracket (A) using finials (D) to secure.

### Cleaning & Care:

Clean with soft cloth and a mild detergent.  
Do not use abrasive cleaner.

Page 2 of (2)