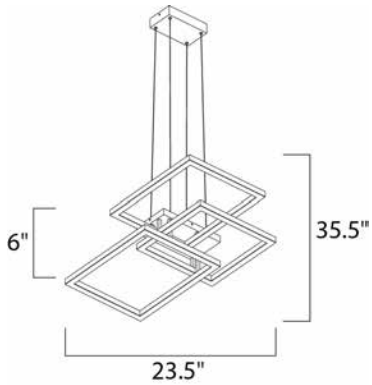


PRODUCT DESCRIPTION

Multiple squares finished in Champagne, are layered in a geometric pattern to form an interesting lighting sculpture. Enclosed behind the white acrylic lens is high power LED for even and economical illumination.



MEASUREMENTS

DIMENSION : 35.5" L x 23.5" W x 6" H
 MAX OAH : 127.75" OAH
 CANOPY : 4.75" W x 1.75" H x 11.25" L
 HANGING WEIGHT : 11.9 lb

LAMPING

INPUT VOLTAGE : 120V
 LUMENS : 6,020 Rated (5,860 Del.)
 BULB : 12 x 86W LED PCB Integrated , 86W Total
 BULB INCLUDED : (Integrated)
 DIMMABLE : Triac CL or ELV
 CRI : 80+ CRI
 COLOR_TEMP : 3000K

FINISHES OPTION

- Black
- Champagne

MATERIAL

Steel, Aluminum

RATINGS

cETLus
 Dry Location



ADDITIONAL

ADJUSTABLE
 OPERATING TEMPERATURE:
 -20°C (-4°F), 40°C (104°F)

Always consult a qualified electrician before installing any lighting product.