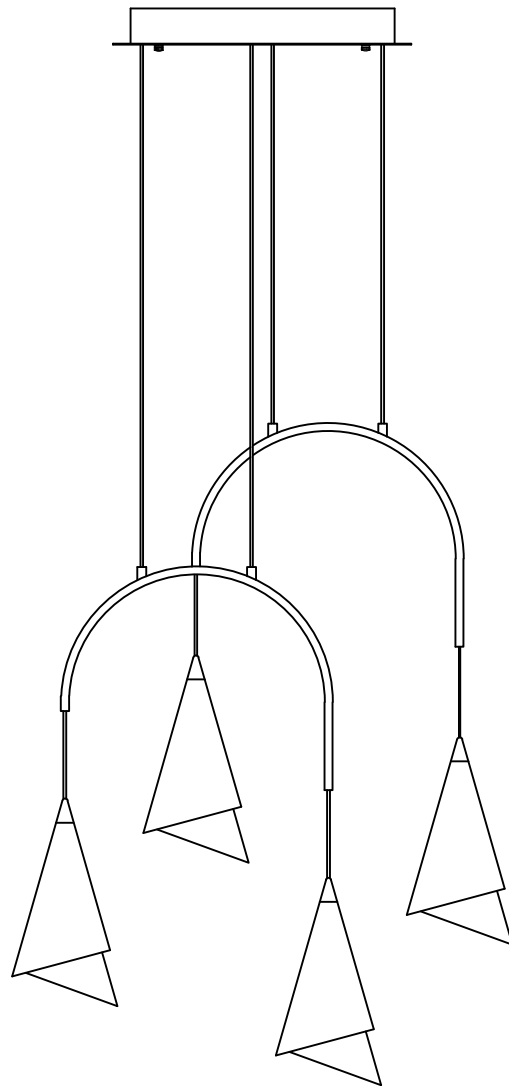


Contemporary Lighting™

PRODUCT NAME: Mermaid 4LT Pendant
ITEM NUMBER: E21444

Please consult your electrician for hanging fixture and wiring.



The fixture is designed to dim with a standard Triac forward phase dimmer. Dimming levels will vary by dimmer.

Below is a list of recommended dimmers:

Lutron MACL-153M

Lutron DVL-153P

Lutron SCL-153P

Leviton IPL06-10Z

Leviton 6674-POW

Due to inrush current wattage should not exceed 150 watts of product for a 600 watt dimmer.

WARNING: Wires need to be connected to driver found in canopy and should not be connected directly to power source or a short may occur.

Bulbs (Included):4*LED*7.2W

MADE IN CHINA

Page 1 of (4)

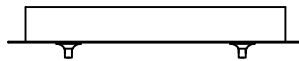
IMPORTANT: Turn off the power at the main fuse or circuit breaker box before starting installation



Bracket (A)



Mounting Screws(B)

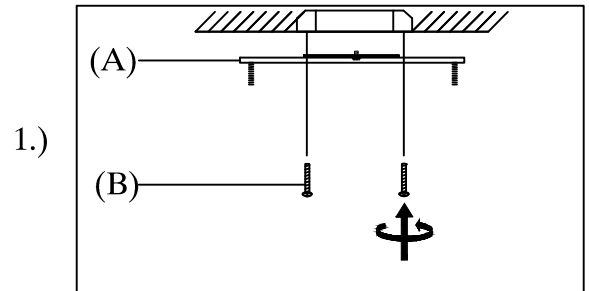
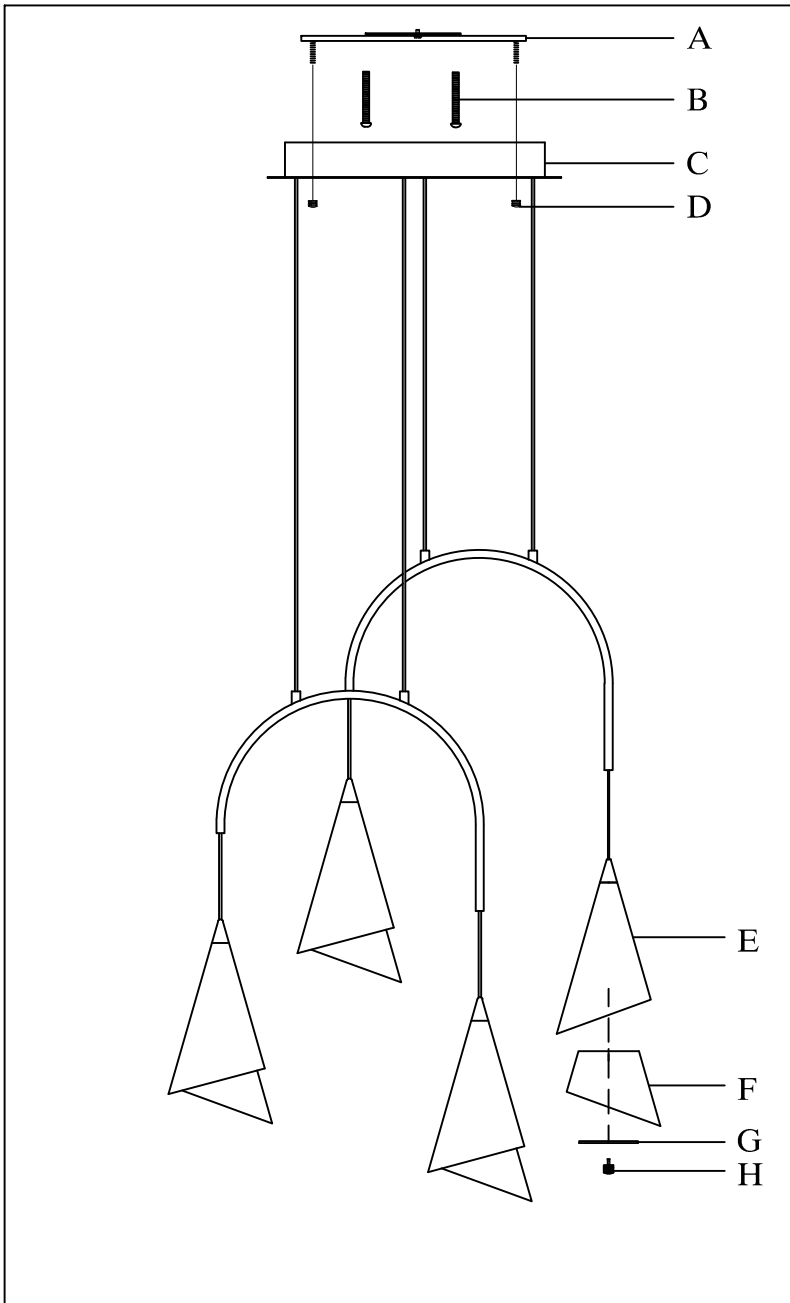


Canopy(C)



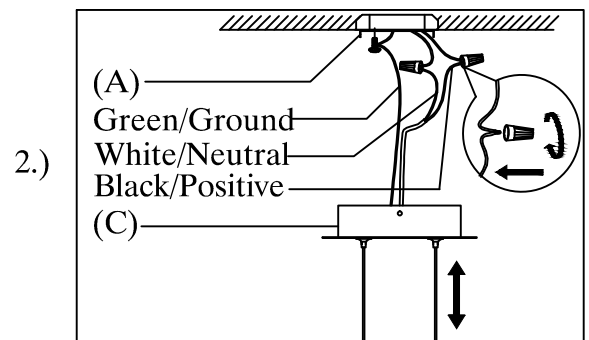
Striped nut(D)

Locate all hardware & components before discarding packaging



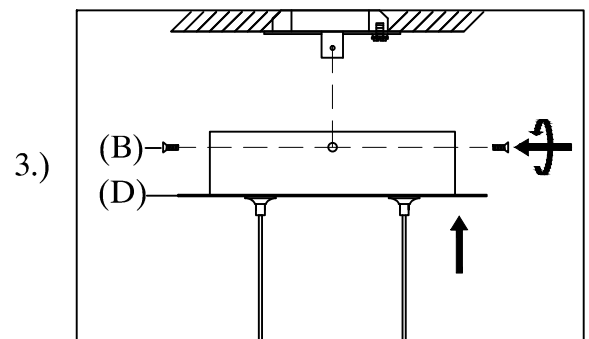
1.)

Step1 :Remove mounting bracket from fixture and install to electrical box.



2.)

Step2 :Adjust wire length to desired mounting height, and tighten strain relief screws to secure. Wire fixture to wires in outlet box. Green wire is for Ground.



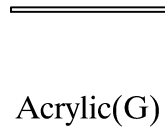
3.)

Step3 :Install fixture to bracket and Screws at the ends of the canopy to secure.

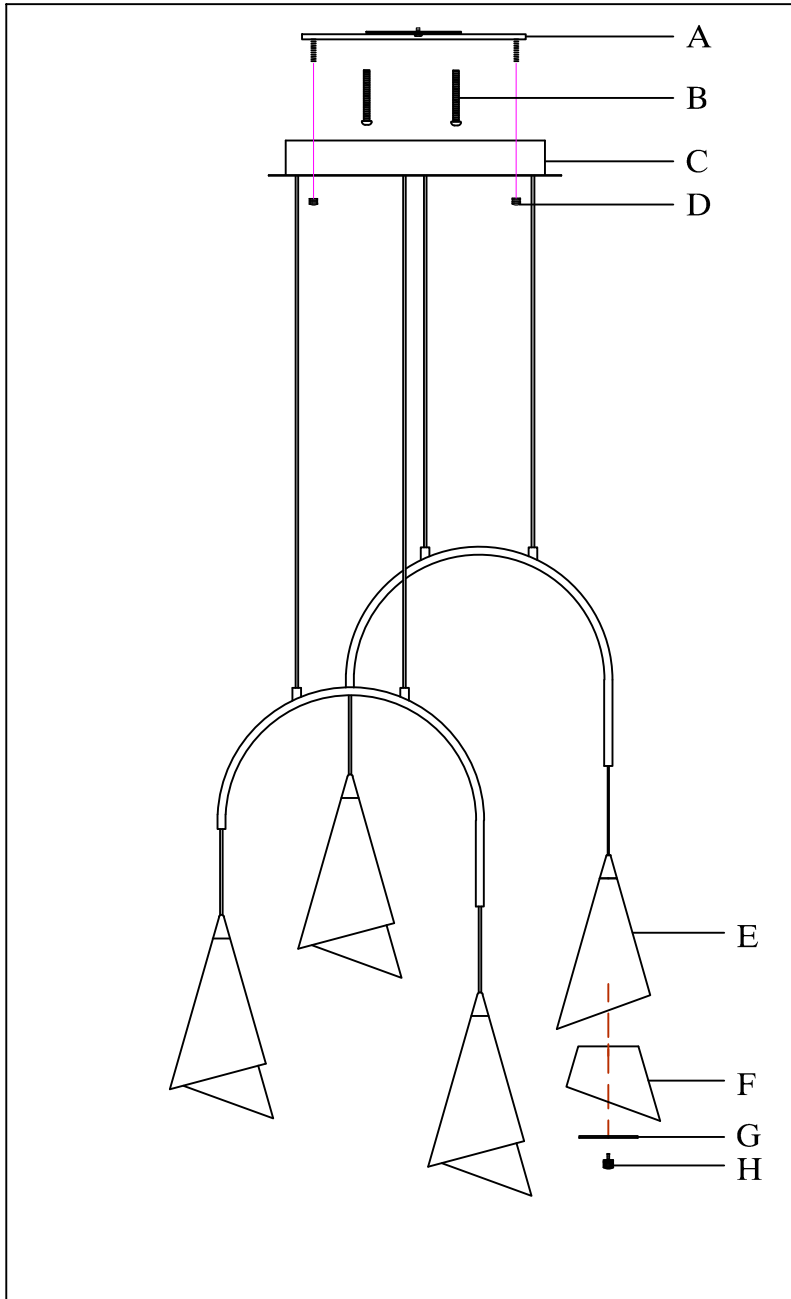
Cleaning & Care:

Clean with soft cloth and a mild detergent.
Do not use abrasive cleaner.

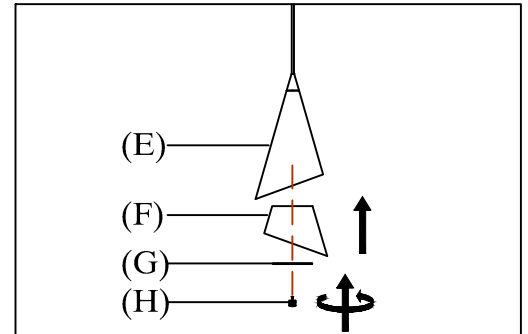
IMPORTANT: Turn off the power at the main fuse or circuit breaker box before starting installation



Locate all hardware & components before discarding packaging



4.)

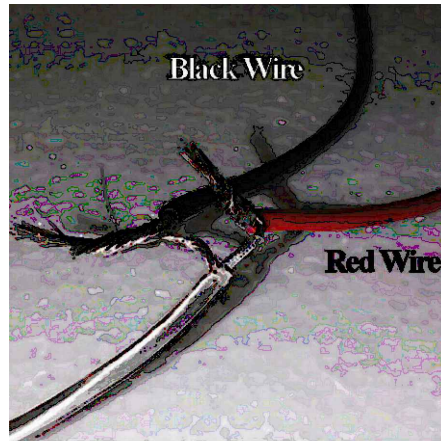
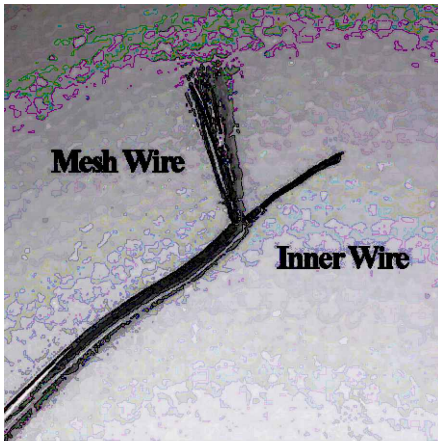


Step4 :Fit lampshade(F) into lampshade(E).Secure with acrylic(G) and tighten center locking nut(H).

Cleaning & Care:
Clean with soft cloth and a mild detergent.
Do not use abrasive cleaner.

Pendant Wires

Driver Wires



Pendant	Driver
InnerWire (+)	Driver Red (+)
Outer Mesh (-)	Driver Black(-)

Step 5. If wires are cut in the process of adjusting the height, please note the pendants consist of an outer mesh wire (Negative) and inner (Positive) wire that must be separated before re-joining with the driver output wires. Pendants are wired in series to the driver, as shown below.

