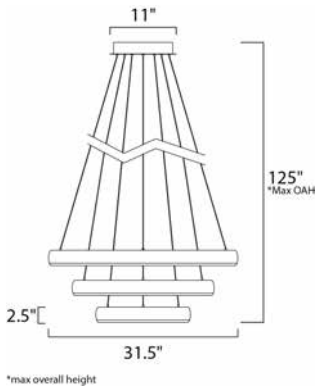




PRODUCT DESCRIPTION

Doughnut shaped rings finished in a beautiful Satin Nickel create a soft contemporary design. LEDs are mounted at an angle to evenly illuminate the entire diffuser a soft diffused light.




MEASUREMENTS

DIMENSION : 31.5" L x 31.5" W x 2.5" H
 MAX OAH : 125" OAH
 CANOPY : 11" W x 2" H x 11" L
 HANGING WEIGHT : 17.82 lb

LAMPING

INPUT VOLTAGE : 120V
 LUMENS : 4,950 Rated
 BULB : 3 x 90W LED PCB Integrated , 90W Total
 BULB INCLUDED : (Integrated)
 DIMMABLE : Triac CL
 CRI : 80+ CRI
 COLOR_TEMP : 3000K

FINISHES OPTION

 Satin Nickel

MATERIAL

Steel, Acrylic

RATINGS

cETLus
 Dry Location



ADDITIONAL

ADJUSTABLE
 RATED LIFE 35000 Hours
 OPERATING TEMPERATURE:
 -20°C (-4°F), 40°C (104°F)

Always consult a qualified electrician before installing any lighting product.